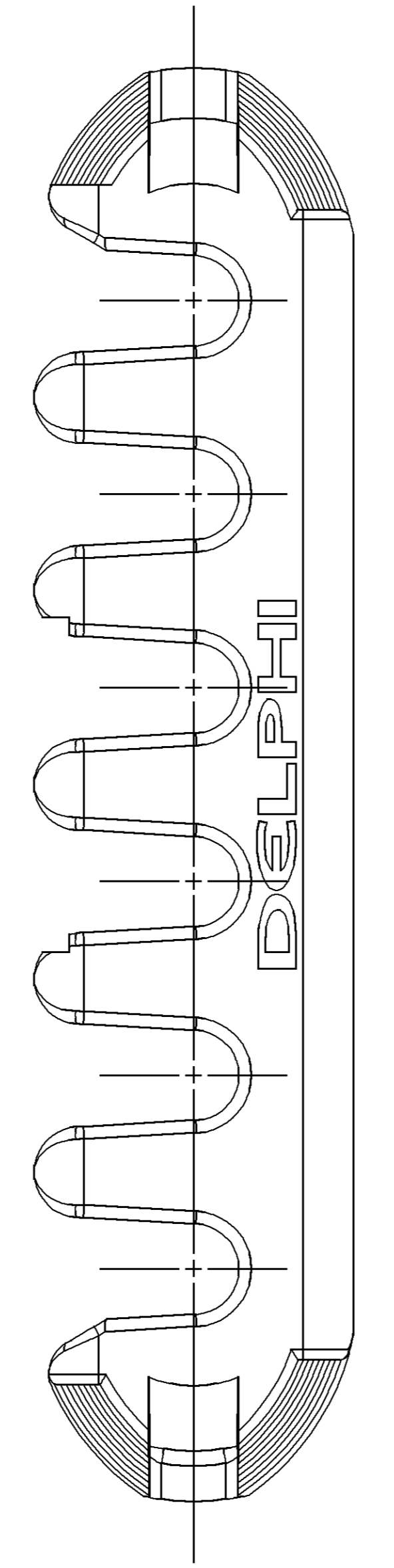
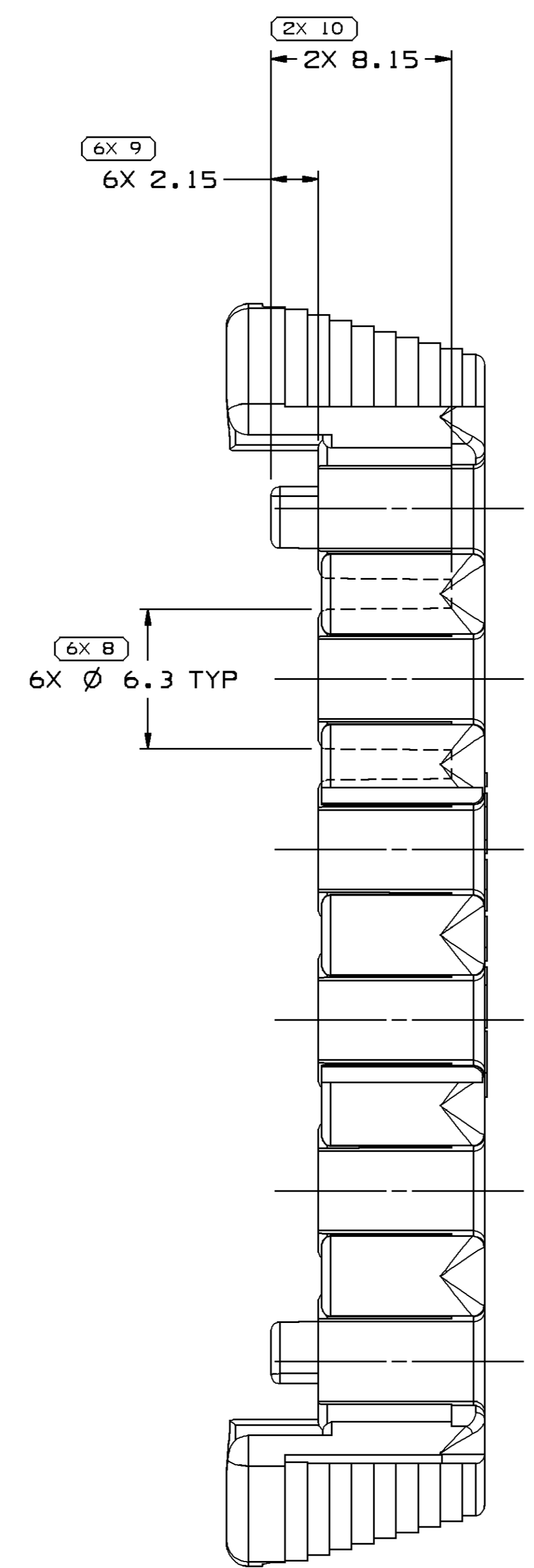
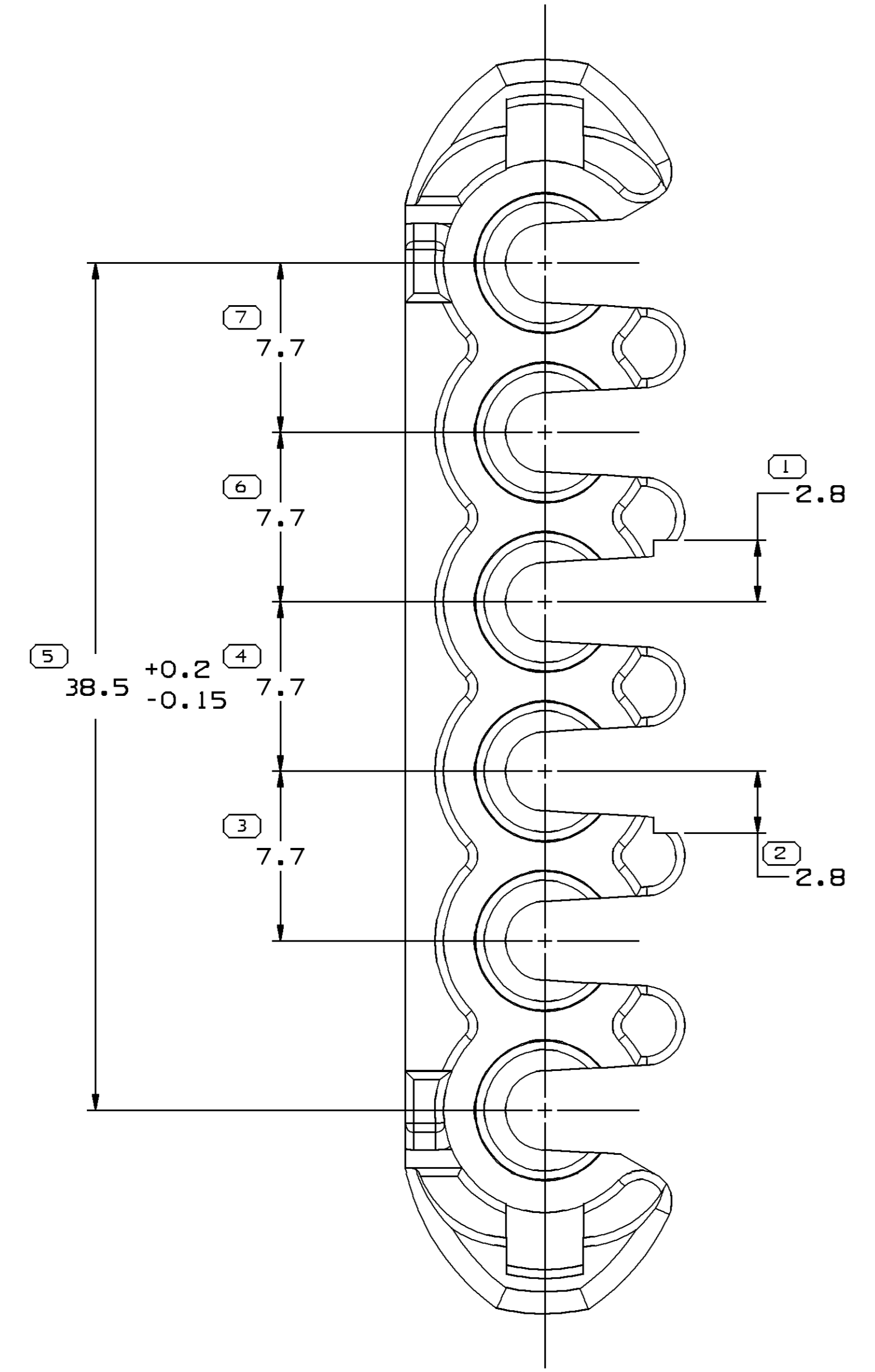
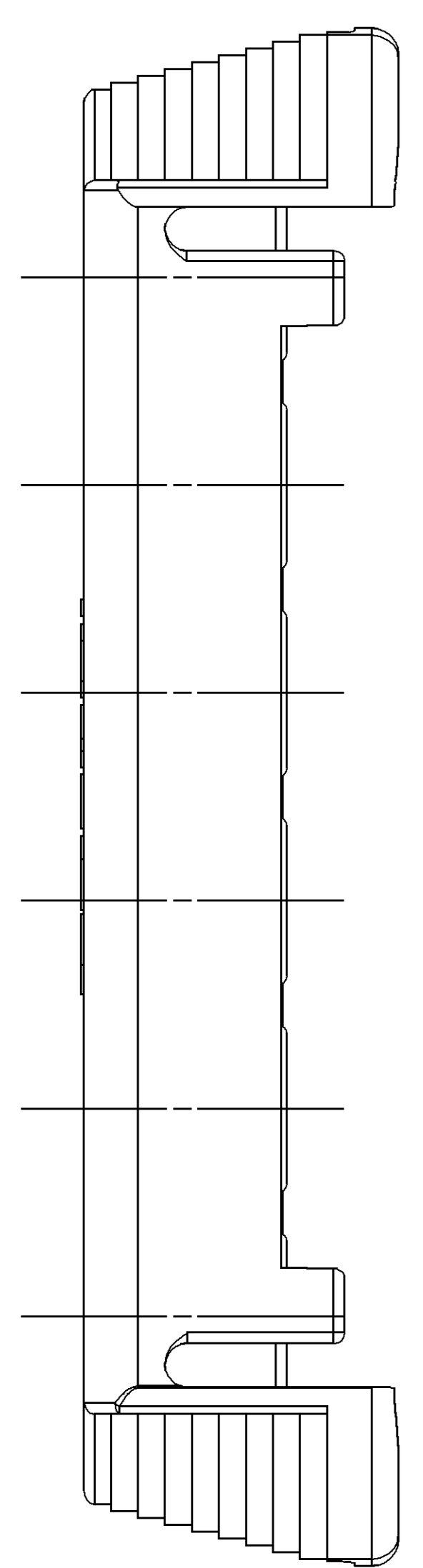
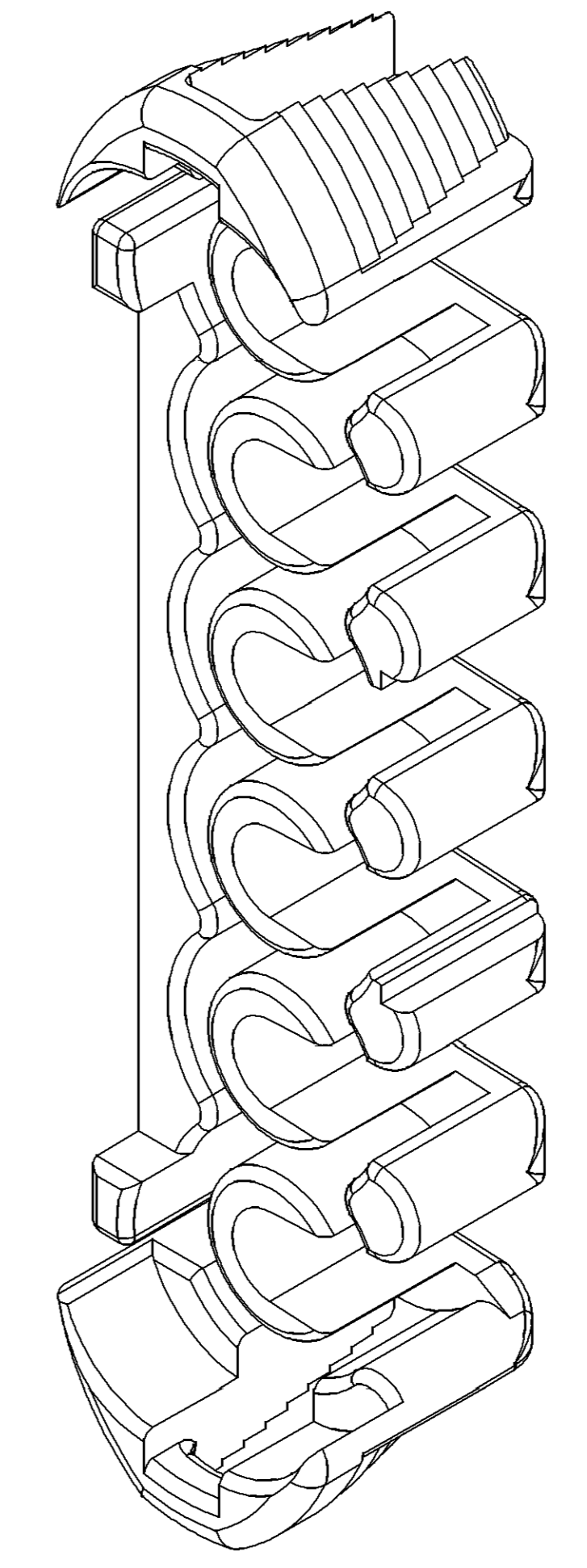
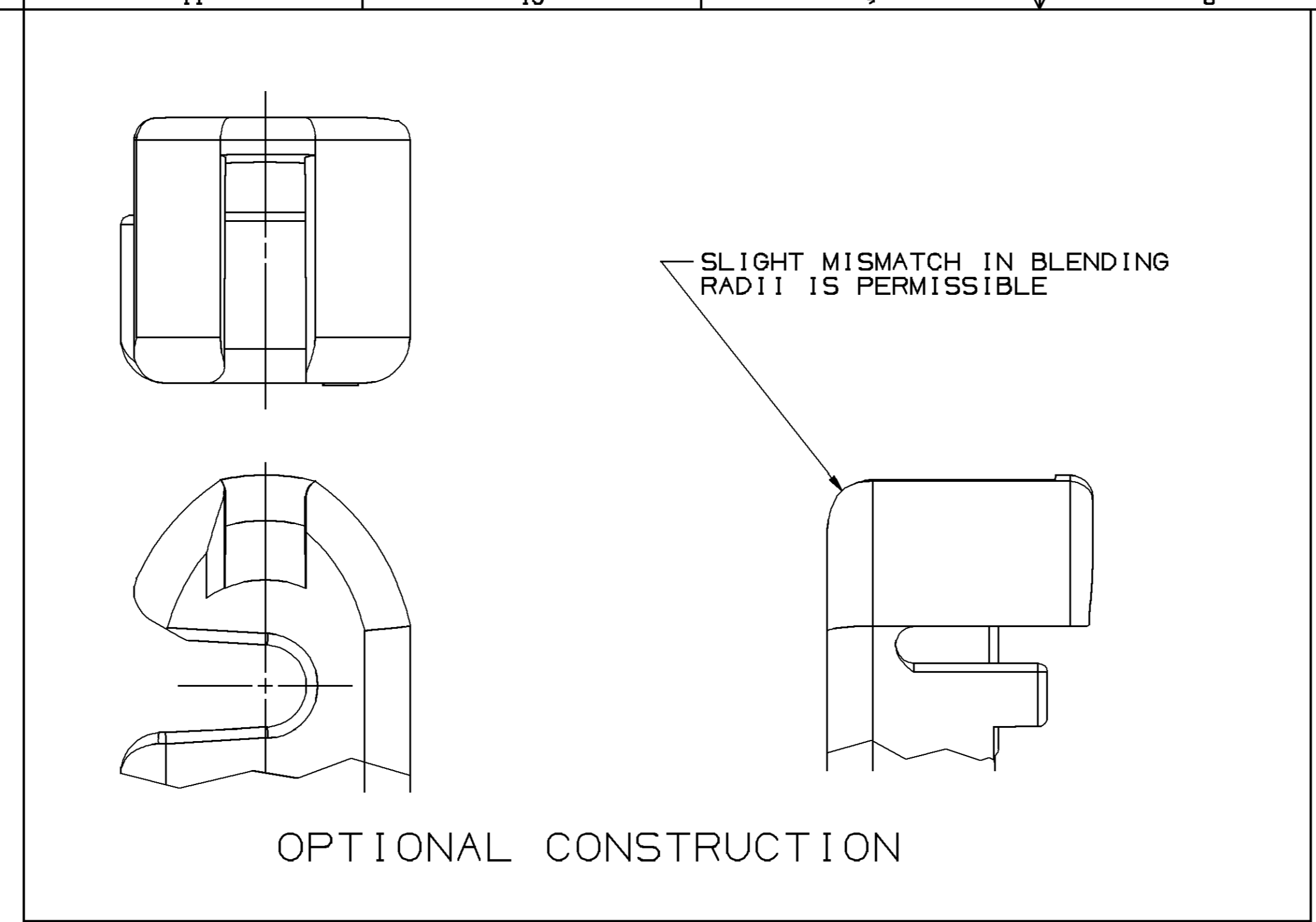


SYMBOL DEFINITION		MISSING SYMBOLS	
A DIMENSION WITHOUT AN INSPECTION REPORT SYMBOL DOES NOT REQUIRE INSPECTION. IT MAY BE CONTROLLED ON THE INDIVIDUAL COMPONENT DRAWING.	TOTAL NO OF INSPECTIONS REQUIRED	NO MISSING SYMBOL NUMBER	21
	LAST NO. USED		10

DWG STATUS				REVISION HISTORY				AUTH		DR		AP/VD	
DATE	STG	REV	N/P	CHG	ZONE								
03JA06	R	10	-	-		ALL PARTS - CLEARED REV COLUMN & REDRAWN TO PD: 12059195 - MAT'L SPEC WAS R-05644 NYLON TYPE 6 - BLUE; 12103315 - MAT'L SPEC WAS R0064530 NYLON TYPE 6 - RED; 12077757 & 12103619 - OBSOLETE				275834	EPS	FKV	WTM
10MY07	R	11	-	-		UPDATED PDM ATTRIBUTES				401312	MM	MM	RWR



NOTES

- UNLESS OTHERWISE SPECIFIED AND/OR INDICATED:  
DIMENSIONS ARE TO FACE OF VIEW SHOWN AND AUTOMATICALLY ROUNDED BY COMPUTER FOR INSPECTION (SEE MATH MODEL FOR PRECISE DIMENSIONS). FOR ALL OTHER DIMENSIONS NOT SHOWN BUT REQUIRED FOR TOOL BUILD, SEE MATH MODEL FOR PRECISE TOOL PATH DATA.
- REFERENCE MATING COMPONENTS OR EQUIVALENT:  
CONNECTOR 12059196
- MATERIAL RECYCLING CODE PER ISO 11469. (2.31X10.1) RAISED CHARACTERS AS SHOWN TO BE LOCATED ON ANY EXTERIOR SURFACE. OPTIONAL CONSTRUCTION TO BE NO MATERIAL RECYCLING CODE.
- THIS PART IS NOT CONTROLLED FOR AUTOMATIC FEEDING.
- (2.31X10.1) DELPHI CORPORATE BRAND TO BE LOCATED ON ANY EXTERIOR SURFACE, PREFERABLY VISIBLE AT FINAL ASSEMBLY. OPTIONAL CONSTRUCTION FOR EXISTING TOOLING MAY BE "PED".
- MAX CABLE DIAMETER THAT WILL FIT PART IS 3.65 DIA.

PART NO	REV	N/P	STATUS	MATERIAL SPECIFICATION AND COLOR
12103619	A1		OBSOLETE	M3596012 PA6 GRA LT
12103315	A2			POLYAMIDE - UNFILLED - RED
12077757	C1		OBSOLETE	M3596002 PA6 BLK
12059195	C2			POLYAMIDE - UNFILLED - BLU

DIMENSIONAL RANGE (MM)	TOLERANCE	ANGULAR TOLERANCE
FROM > 0 TO > 20	±0.2	±1
> 20 TO > 70	±0.3	±1
> 70 TO > 100	±0.4	±1
> 100 TO > 150	±0.5	±1
> 150 TO > 200	±0.6	±1
> 200 TO > 250	±0.7	±1
> 250 TO > 300	±0.8	±1
> 300 TO > 400	±1.0	±1

Dwg TYPE		PART DRAWING	
STYLE		DISTR CODE	D
VOLUME (OF)	2, 421		
UNLESS OTHERWISE SPECIFIED			
THIS DOCUMENT IS IN ACCORDANCE WITH ASME Y14.5M-1994 AS MODIFIED BY THE IN-SITUATION DIMENSIONING AND TOLERANCE ADDENDUM-2001. SEPARATE WRITERS OF FEATURES MAY BE BASED SEPARATELY PER-ROLE OF DATA REFERENCES.			
ALL DIMENSIONS ARE IN MILLIMETERS			
THIRD ANGLE PROJECTION			
DO NOT SCALE. USE MATH DATA.			

**DELPHI**  
DELPHI PACKARD ELECTRICAL/ELECTRONIC ARCHITECTURE  
WARREN, OH

DR	DATE
APV01 ENRIQUE FUENTES	03JA06
APV02 FRANCISCO KOPKA	13JA06
APV03 WILLIAM T. MADDEN	20JA06
APV04	
APV05	

MATERIALS SEE CHART

SUBSTANCES OF CONCERN AND RECYCLED CONTENT PER DELPHI 10949001

DRAWING NAME  
TAXI LOCK SECONDARY TPA M/P

DRAWING NUMBER  
**12077758**

SCALE: 5:1  
FRAME NO: 11  
SHEET NO: 1 OF 1  
REV: N/P