
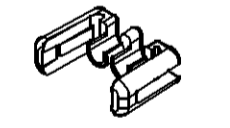
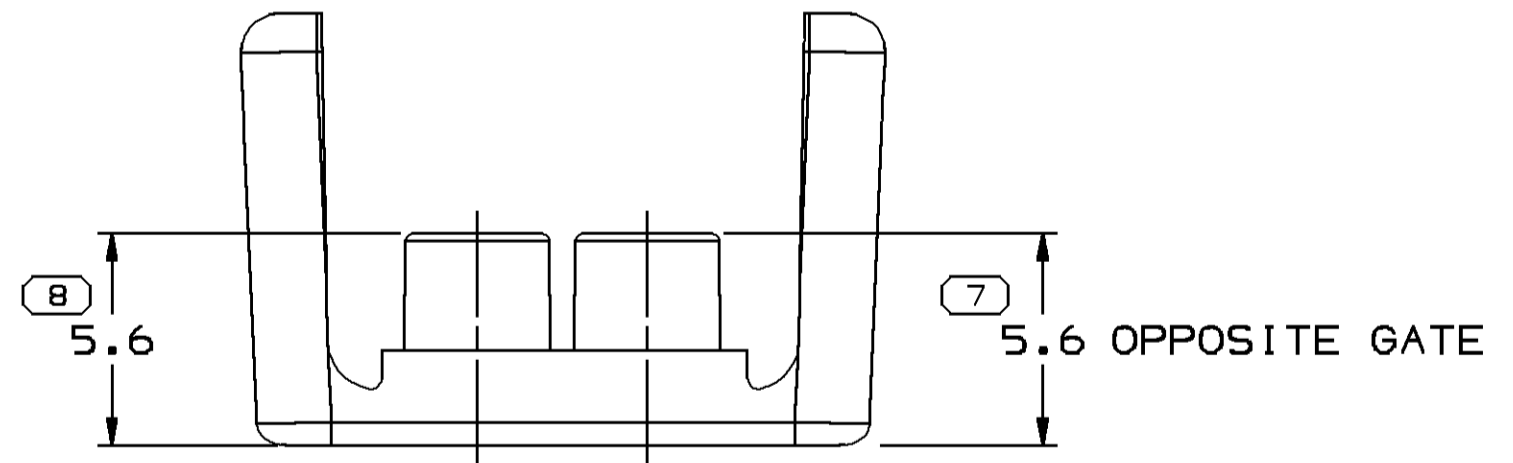
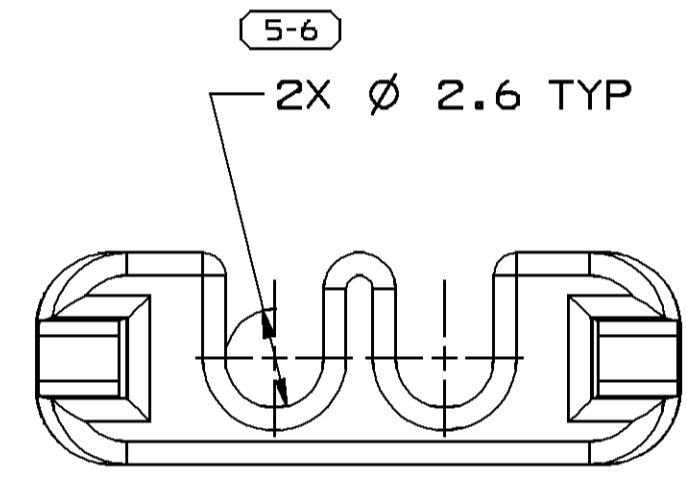
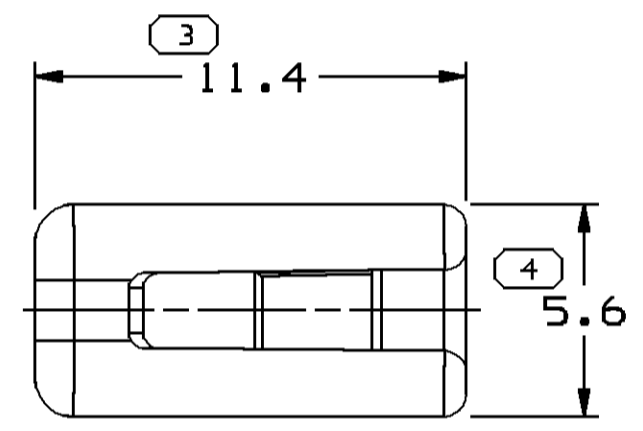
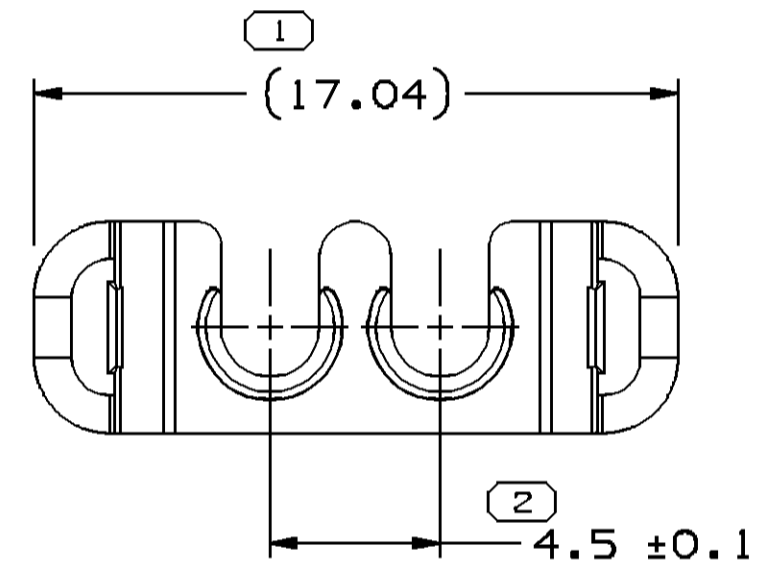
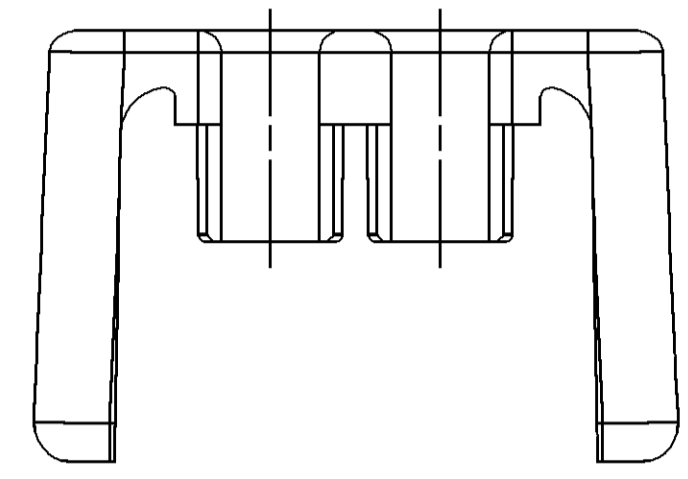


SYMBOL DEFINITION		MISSING NUMBERS	
A DIMENSION WITHOUT AN INSPECTION REPORT SYMBOL  DOES NOT REQUIRE INSPECTION. IT MAY BE CONTROLLED ON AN INDIVIDUAL COMPONENT DRAWING.	TOTAL NO. OF SYMBOLS ON DRAWING	7	
	LAST NO. USED	8	

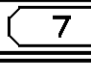
DWG STATUS					ZONE	REVISION HISTORY			
DATE	STG	REV	N/P	CHG		AUTH	DR	APVD 1	APVD 2
10DE01	R	B1	-			CLEARED REVISION COLUMN, REVISED PDM ATTRIBUTES			
11DE01	R	B2				ADDED 2X 5.6 TYP, PSD WAS 2			
02DE04	R	B3	-	-		MATERIAL SPEC WAS PM003571 AND REVISED DIMS 7 & 8			
18JA05	R	B4	-	-		UPDATED PDM ATTRIBUTES			
17AP06	R	B5	-	-		UPDATED PDM ATTRIBUTES			




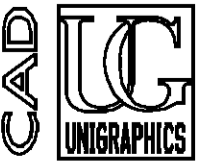
SCALE 1:1

NOTES

- UNLESS OTHERWISE SPECIFIED AND/OR INDICATED: DIMENSIONS ARE TO FACE OF VIEW SHOWN AND AUTOMATICALLY ROUNDED BY COMPUTER FOR INSPECTION. (SEE MATH MODEL FOR PRECISE DIMENSIONS.) FOR ALL OTHER DIMENSIONS NOT SHOWN BUT REQUIRED FOR TOOL BUILD, SEE MATH MODEL FOR PRECISE TOOL PATH DATA. ALL RADII 0.4 DRAFT IS 1° ON ALL OUTSIDE SURFACES
- MATING COMPONENTS OR EQUIVALENT: CONNECTOR 15326805

 PROCESS SENSITIVE DIMENSION
DIMENSIONS ENCLOSED IN () INDICATE REFERENCE DIMENSIONS AND NO TOLERANCE LIMITS ARE ESTABLISHED

DIMENSIONAL RANGE (MM)		CHART E1	
FROM	TO	TOLERANCE	ANGULAR TOLERANCE
> 0	> 20	±0.15	±2°
> 20	> 30	±0.2	
> 30	> 70	±0.3	
> 70	> 100	±0.4	
> 100	> 150	±0.5	
> 150	> 200	±0.6	
> 200	> 250	±0.8	
> 250	> 300	±1	
> 300	> 400	±1.2	

DWG TYPE PART DRAWING	
STYLE	
VOLUME (CM ³) 0.276	DISTR CODE D
UNLESS OTHERWISE SPECIFIED THIS DOCUMENT IS IN ACCORDANCE WITH ASME Y14.5M-1994 AS AMENDED BY THE GM GLOBAL DIMENSIONING AND TOLERANCING ADDENDUM - 1997. ALL GEOMETRIC TOLERANCES AND RELATED DATUMS APPLY RFS. RULE #11 PERFECT FORM AT MMC DOES NOT APPLY WHEN RELATIONSHIP BETWEEN FEATURES IS ESTABLISHED BY ORIENTATION OR LOCATION TOLERANCES. SEPARATE POSITION CALLOUTS MAY BE GAGED SEPARATELY, REGARDLESS OF DATUM REFERENCE. ALL DIMENSIONS ARE IN MILLIMETERS	
REFERENCE	
THIRD ANGLE PROJECTION 	DO NOT SCALE USE MATH DATA 

DELPHI
DELPHI PACKARD ELECTRIC SYSTEMS
WARREN, OH

DR	DATE
APVD1 H. YAZZIE	08SE98
APVD2 H. YAZZIE	08SE98
APVD3 D. MCCONNELL	08SE98
APVD4	
APVD5	

MATERIAL
M3571003 PLAS PA6 GB20+GF10 HS GRA

DRAWING NAME
LOCK SECONDARY TPA GT 2 GRA

DRAWING NUMBER
15355128

SIZE	SCALE	FRAME NO	SHEET NO	STG	REV	N/P
A2	5:1	1 OF 1	1 OF 1	R	B5	-