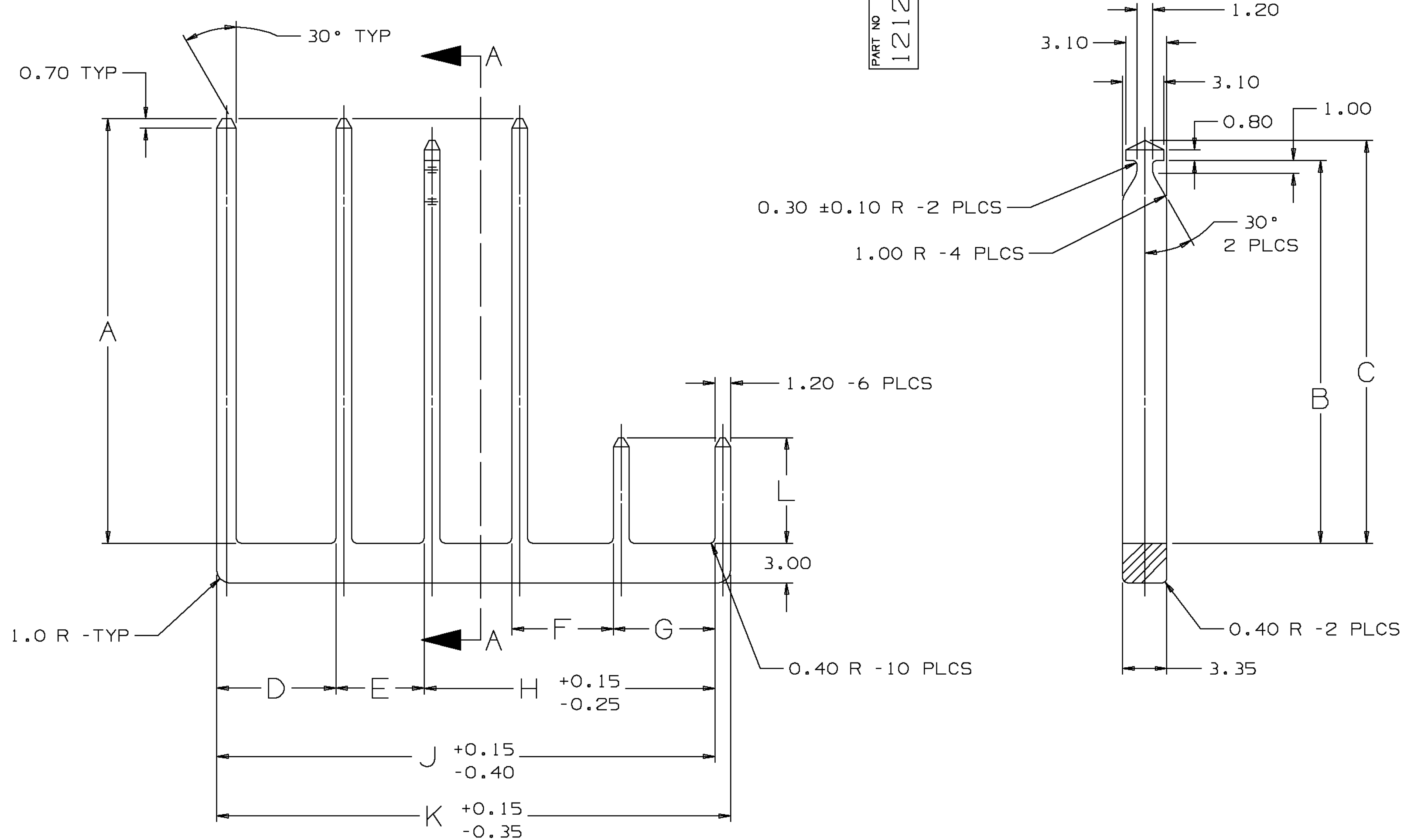


THIS DRAWING AND DESIGN HEREON CONSTITUTES A PROPRIETARY DESIGN OF PACKARD ELECTRIC DIVISION AND IS NOT TO BE DUPLICATED OR REPRODUCED WITHOUT AUTHORITY OF PACKARD ELECTRIC DIVISION

DO NOT SCALE

PART NO  
1212 9813

PACKARD ELECTRIC DIVISION  
GENERAL MOTORS CORPORATION  
WARREN, OHIO



NOTES —

2. SECONDARY LOCK FOR (SEE CHART).

DATE	SYM	REVISION RECORD	AUTH	DR	CK
20MY92		12065848 - WAS SEPARATE "C" SIZE			
		- REVISION LEVEL			
		REMAINS AT "A"	147967	RKR	RKR
20MY92		12129670 - RELEASED			
		TO REVISION "A"	920005	RKR	RKR
04SE92		12129670-MAT'L WAS M2348005-BLU -			
		REV LEVEL TO "B"	151293	ER	ER
28JN93		12065848 - "K" DIM 38.70 WAS 39.00 -			
		REVISION LEVEL			
		REMAINS AT "A"	156435	FH	FH
26DE95		ALL PARTS -REVISED			
		MAT'L SPEC -NO REV UPDATE REQ'D	168432	MR	RRS

PART NO  
1212 9813

Uigraphis II		METRIC	
THIRD ANGLE PROJECTION		DIMENSIONS ARE IN MILLIMETERS UNLESS OTHERWISE SPECIFIED	
		TOLERANCE UNLESS OTHERWISE SPECIFIED: DECIMAL: ANGULAR ± 2°	
CODE NO	QC	ONE PLACE ± 0.3	
6900	-C-4004	TWO PLACE ± 0.15	
DWG DATE	18MR92	DR	R. RACZ 20MY92
SCALE	4:1	CK	R. RACZ 20MY92
REFERENCE NO		APPR	D. PFAFFINGER 04JN92
		APPR	J. WILSON 05JN92

MATERIAL SPEC		SEE CHART	
NAME		TPA M M/P MXD	
PART NUMBER	1212 9813	SIZE	A2

PART NO	REV	STATUS	MATERIAL SPEC & COLOR	A	B	C	D	E	F	G	H	J	K	L	MATING PART
12129670	B		RO100185 PBT NAT	39.90	36.80	38.30	6.70	6.70	8.40	12.65	27.75	41.15	42.35	12.10	12129673
12065848	A		RO100111 PBT BLU	32.20	29.05	30.55	9.05	6.70	7.70	7.70	22.05	37.80	38.70	8.00	12065844