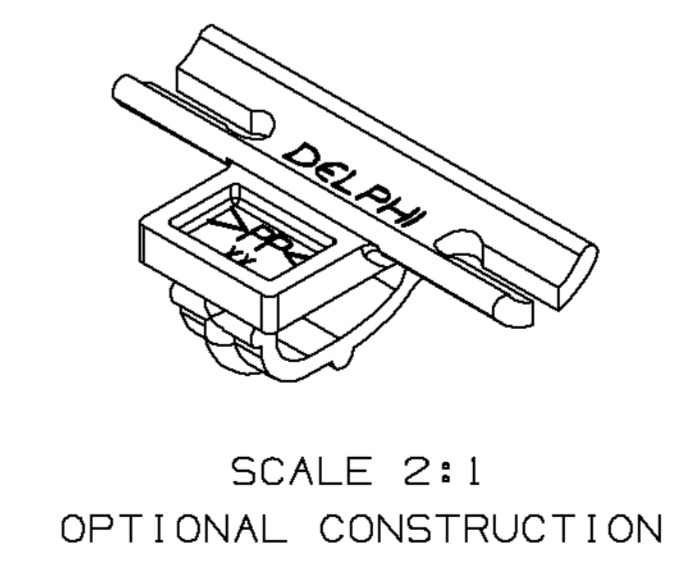
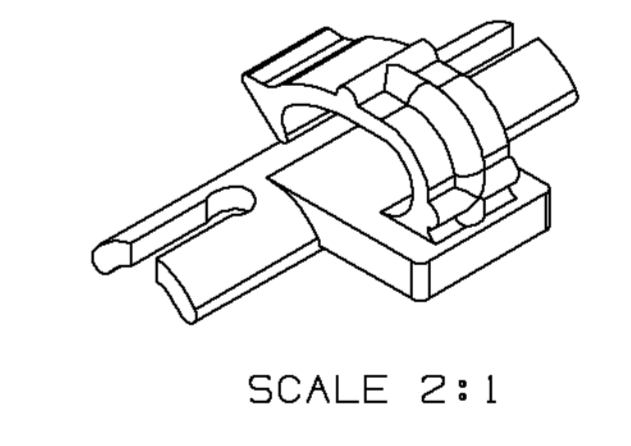
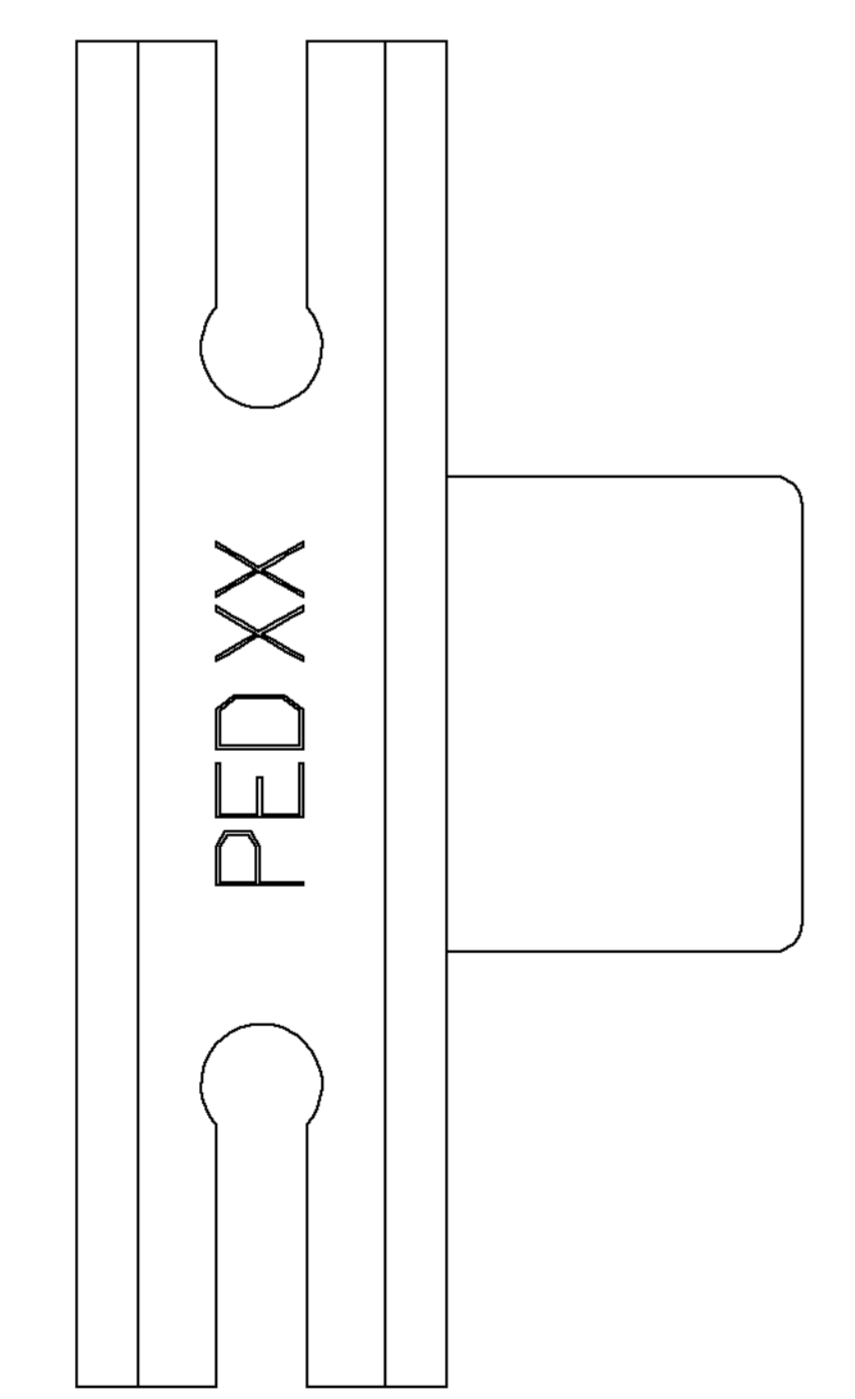
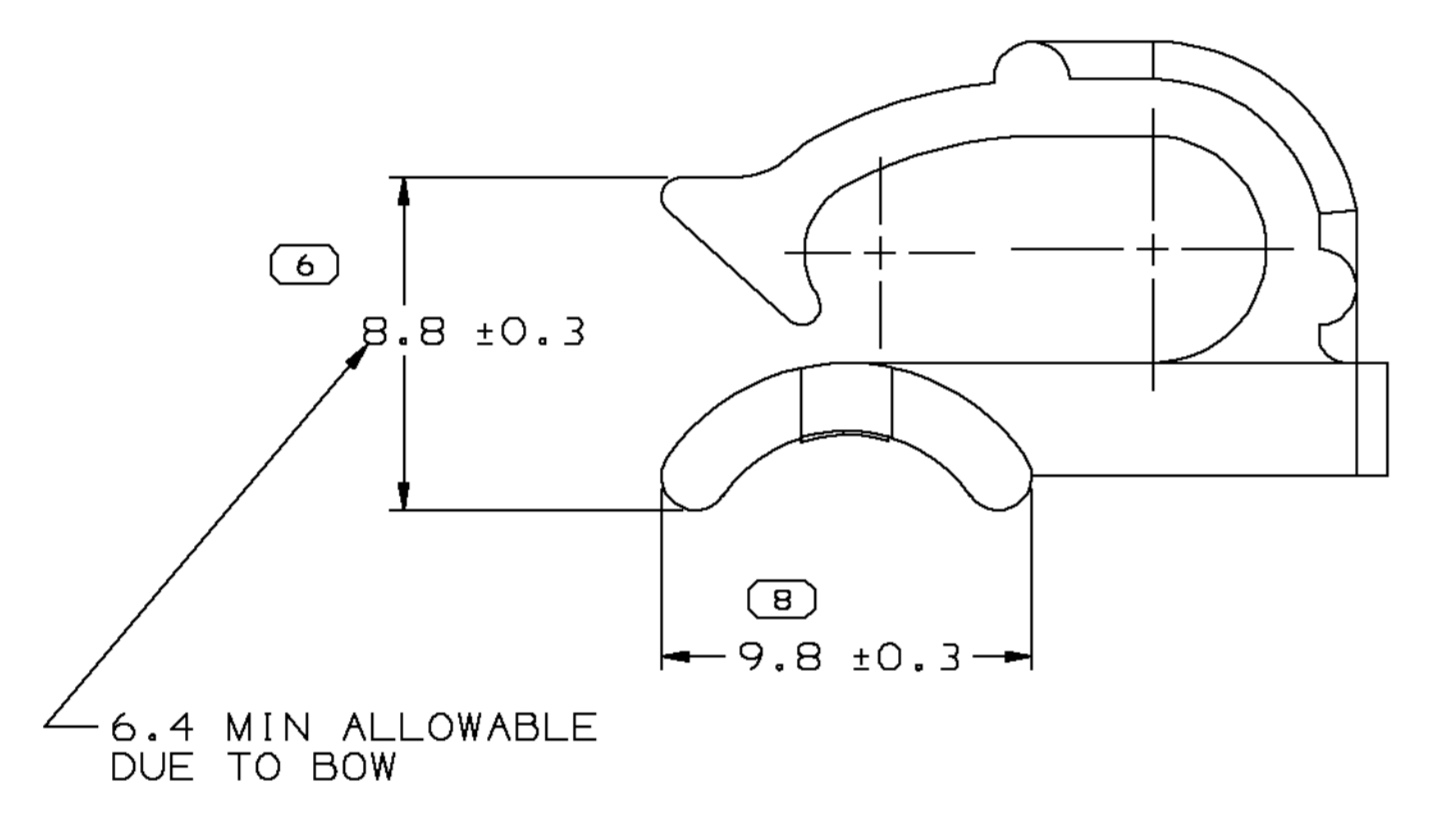
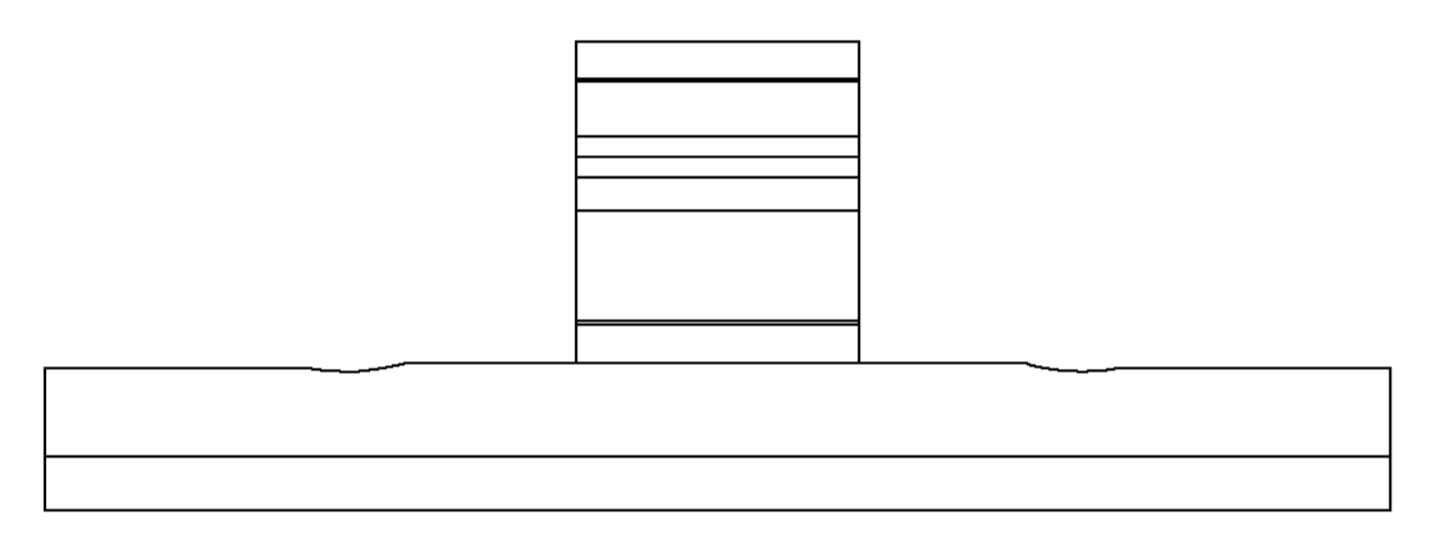
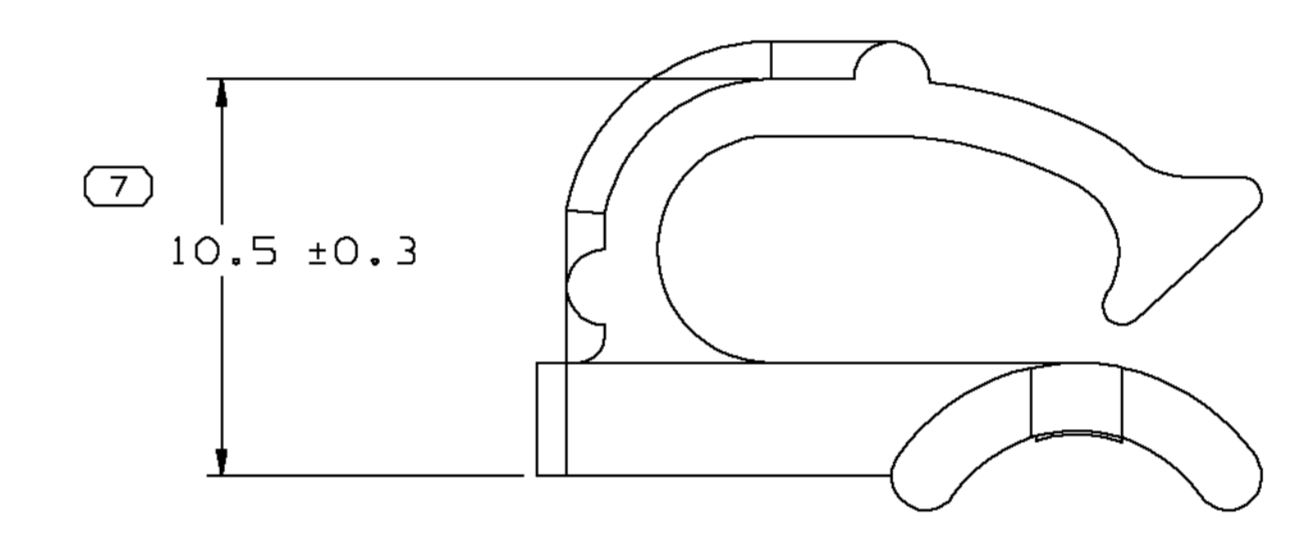
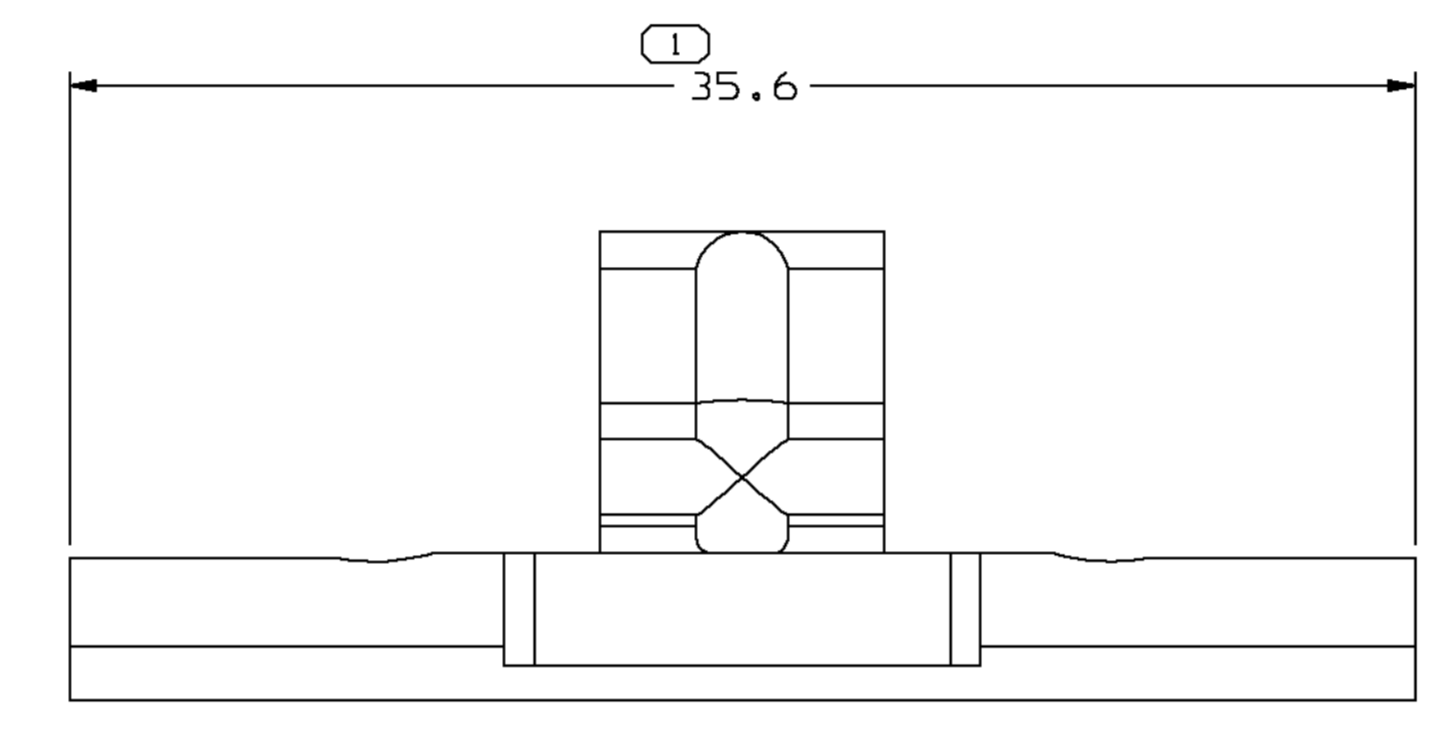
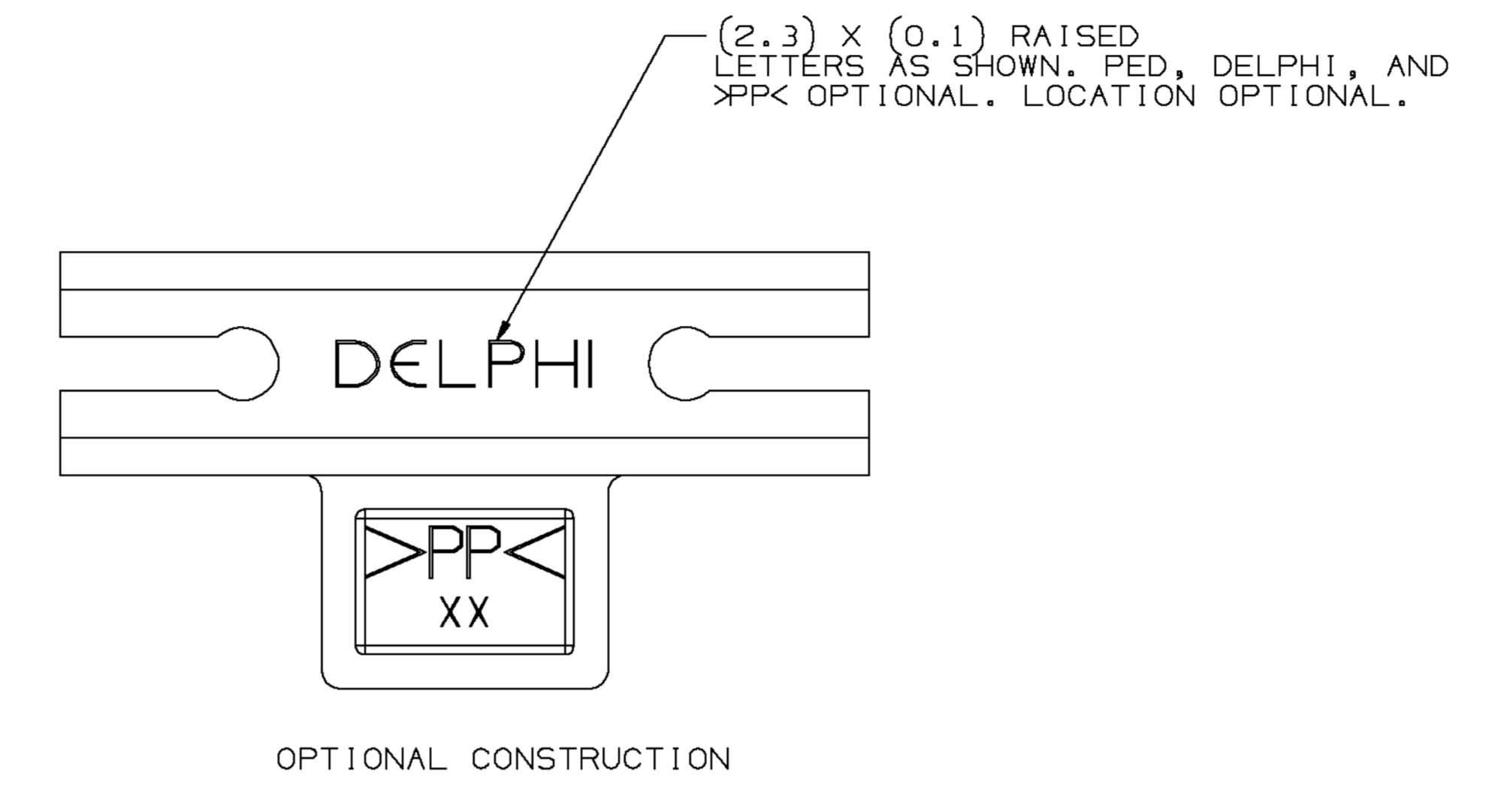
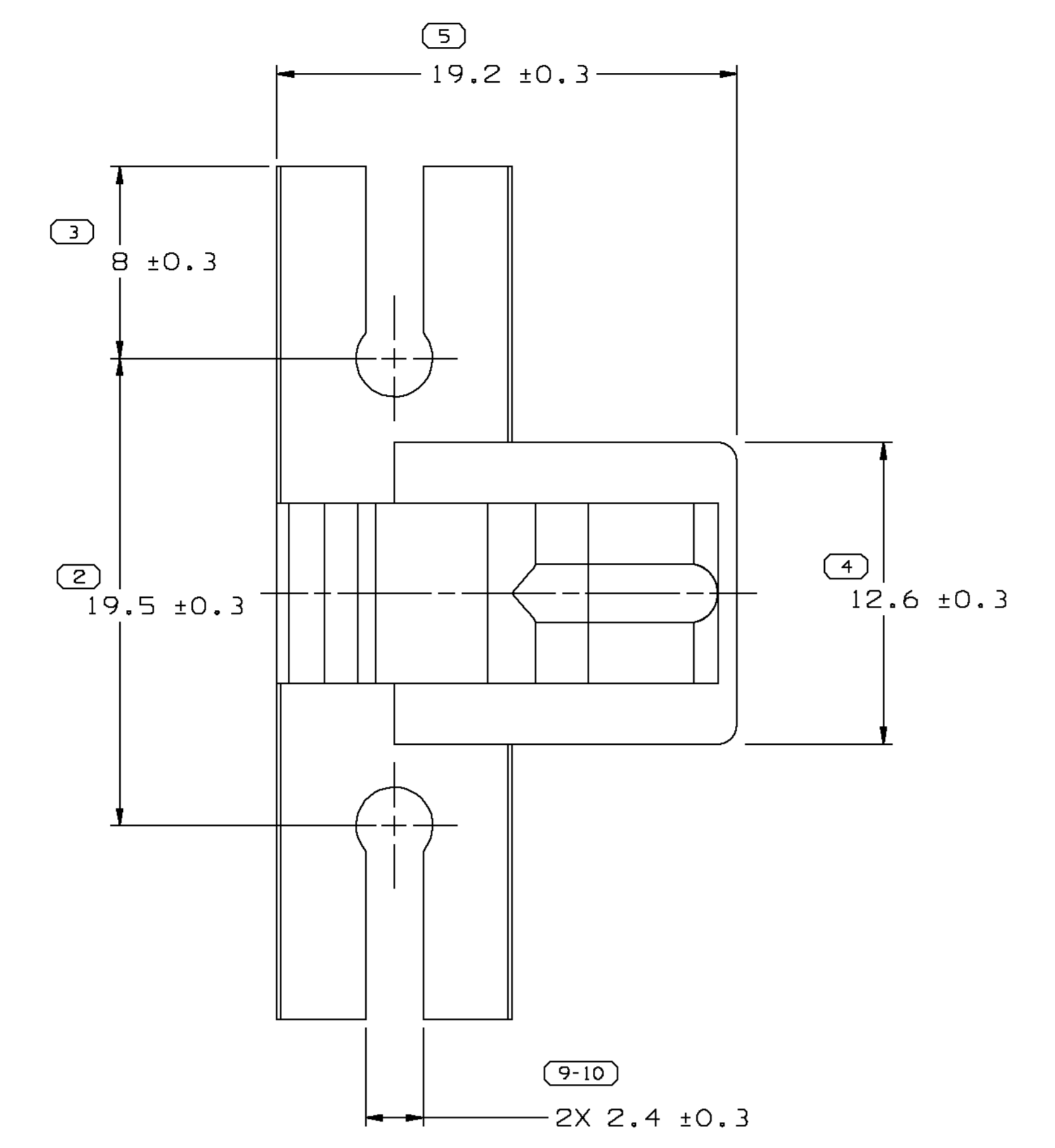


SYMBOL DEFINITION		MISSING NUMBERS	
A DIMENSION WITHOUT AN INSPECTION REPORT SYMBOL DOES NOT REQUIRE INSPECTION. IT MAY BE CONTROLLED ON AN INDIVIDUAL COMPONENT DRAWING.	TOTAL NO. OF SYMBOLS ON DRAWING	9	
	LAST NO. USED	10	

DWG STATUS					REVISION HISTORY			AUTH	DR	APVD	APVD
DATE	STG	REV	N/P	CHG	ZONE						
17JUL02	R	02	AC	-		CLEARED REV COLUMN, UPDATED PDM ATTRIBUTES & UPDATED MAT'L SPEC	228003	EES	EES	FR	FR
09JAN03	R	03	-	-		REVISED MAT'L SPEC	235265	RH	RH	FR	FR



- NOTES:
- UNLESS OTHERWISE SPECIFIED AND/OR INDICATED: DIMENSIONS ARE TO FACE OF VIEW SHOWN AND AUTOMATICALLY ROUNDED BY COMPUTER FOR INSPECTION. (SEE MATH MODEL FOR PRECISE DIMENSION) FOR ALL OTHER DIMENSIONS NOT SHOWN BUT REQUIRED FOR TOOL BUILD, SEE MATH MODEL FOR PRECISE TOOL PATH DATA. ALL RADII 0.8 DRAFT IS 2° ON ALL OUTSIDE SURFACES
 - THIS PART IS NOT CONTROLLED FOR AUTOMATIC FEEDING.

FROM	TO	TOLERANCE	CHART	ET
0	> 20	±0.3	1	1
> 20	> 30	±0.4	2	2
> 30	> 70	±0.5	3	3
> 70	> 100	±0.6	4	4
> 100	> 150	±0.8	5	5
> 150	> 200	±1.0	6	6
> 200	> 250	±1.2	7	7
> 250	> 300	±1.5	8	8
> 300	> 400	±2.0	9	9

DWO TYPE		PART DRAWING	
STYLE	1.351	DISTR CODE	D
VOLUME (COP)	6900,6901		
ROUTING			
UNLESS OTHERWISE SPECIFIED			
THIS DOCUMENT IS IN ACCORDANCE WITH ASME Y14.5M-1994 AS AMENDED BY THE 2003 DIMENSIONING AND TOLERANCING ADDENDUM - 1997. ALL GEOMETRIC TOLERANCES AND RELATED DATUMS APPLY TO ALL DIMENSIONS UNLESS OTHERWISE SPECIFIED. UNLESS OTHERWISE SPECIFIED, ALL DIMENSIONS ARE IN MILLIMETERS.			
REFERENCE	12015640		
THIRD ANGLE PROJECTION	DO NOT SCALE		
USE MATH DATA	UNIGRAPHICS		

DELPHI	
DELPHI PACKARD ELECTRIC SYSTEMS	
MORRIS, OH	
DR	DATE
APVD1 ERIC W. MIZER	17MRBB
APVD2 ERIC W. MIZER	18MRBB
APVD3 DAN HUFF	22MRBB
APVD4	
APVD5	
SUBSTANCES OF CONCERN AND RECYCLED CONTENT PER DELPHI 10949001	
MATERIAL: M2097001 PP 1M BLK	
DRAWING NAME: MOUN CLIP HARNESS	
DRAWING NUMBER: 12040700	
SIZE: A0	SCALE: 5:1
FRAME NO: 1	SHEET NO: 1 OF 1
STG: R	REV: 03
N/P: -	