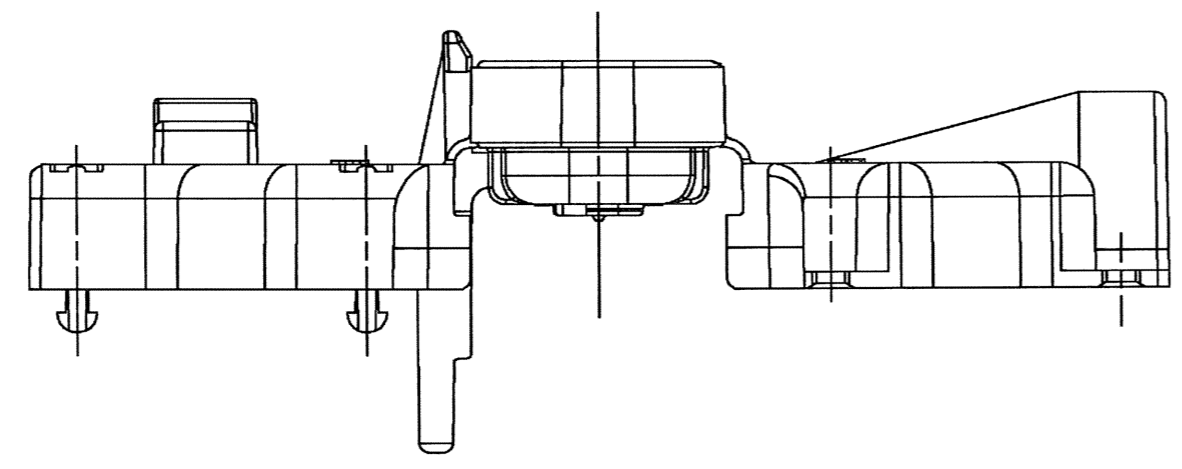
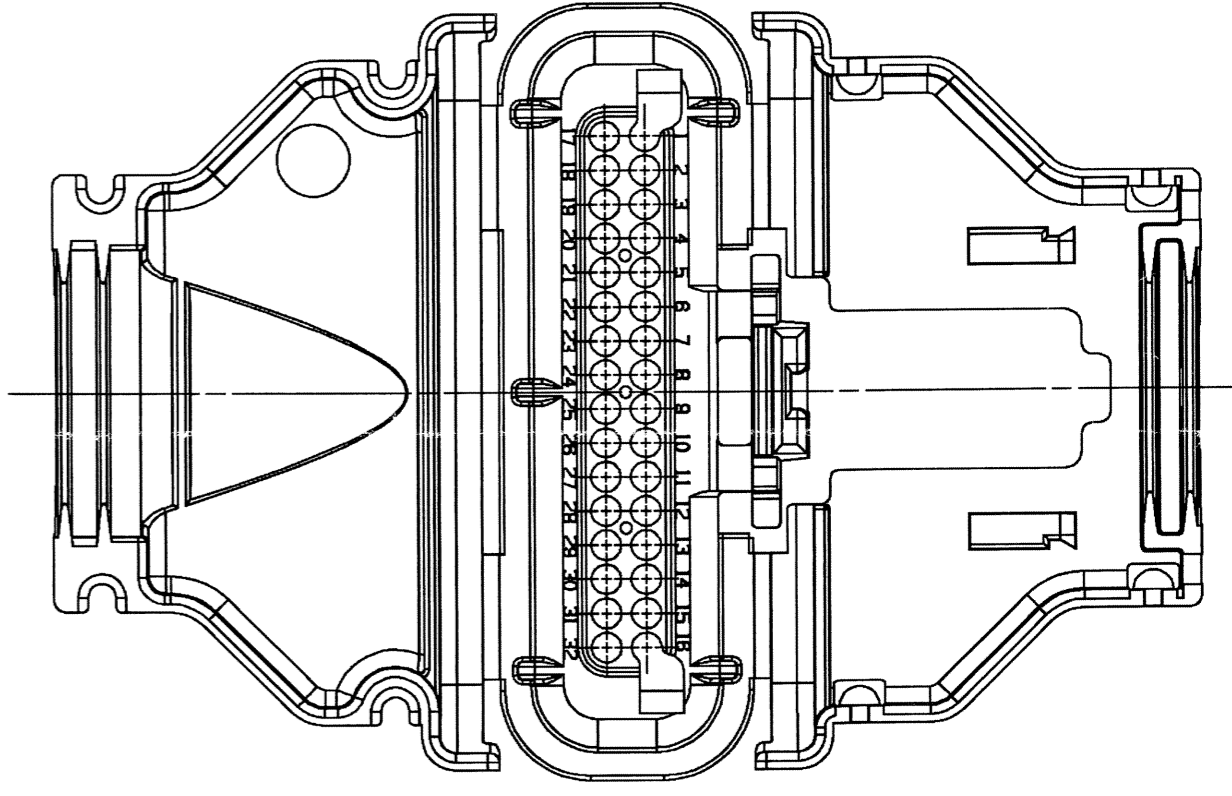
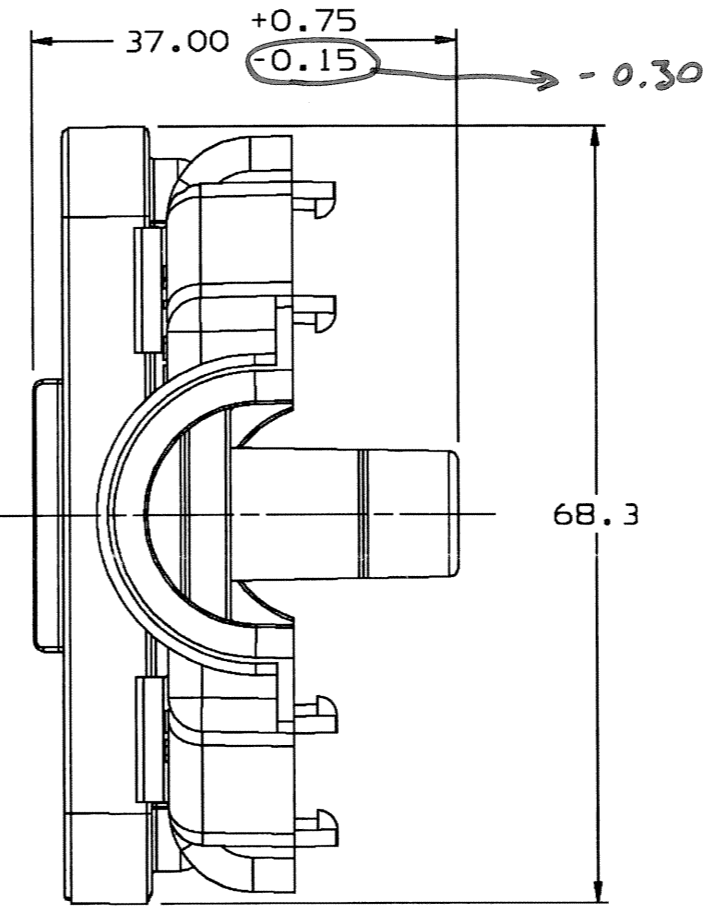
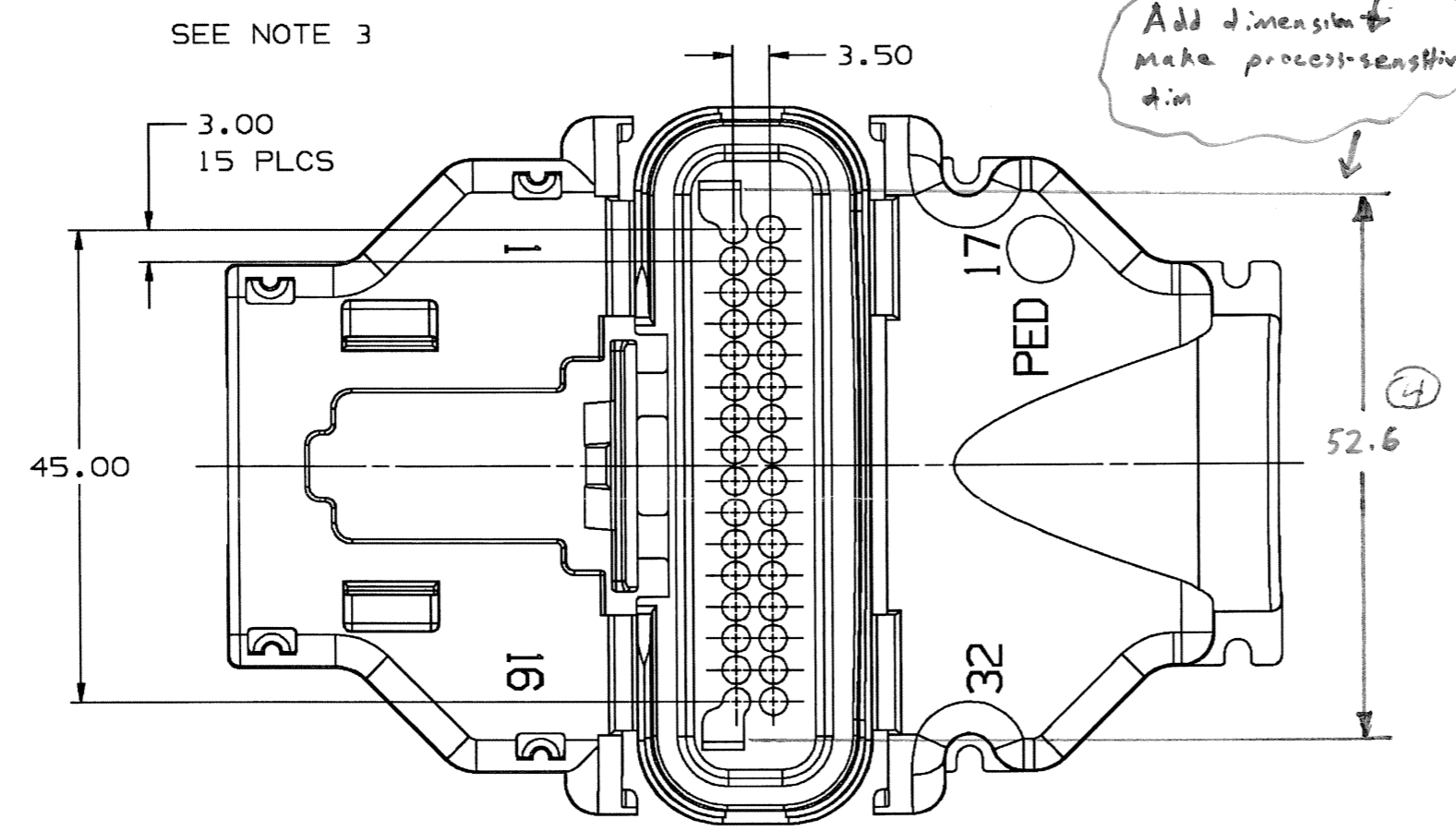
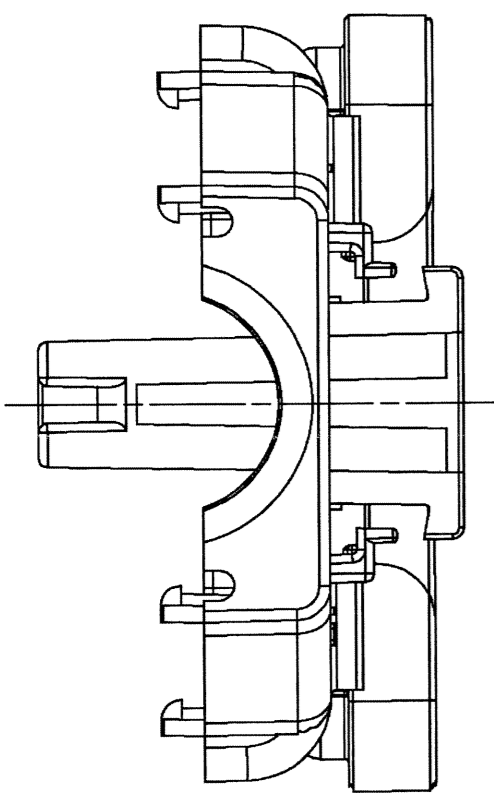
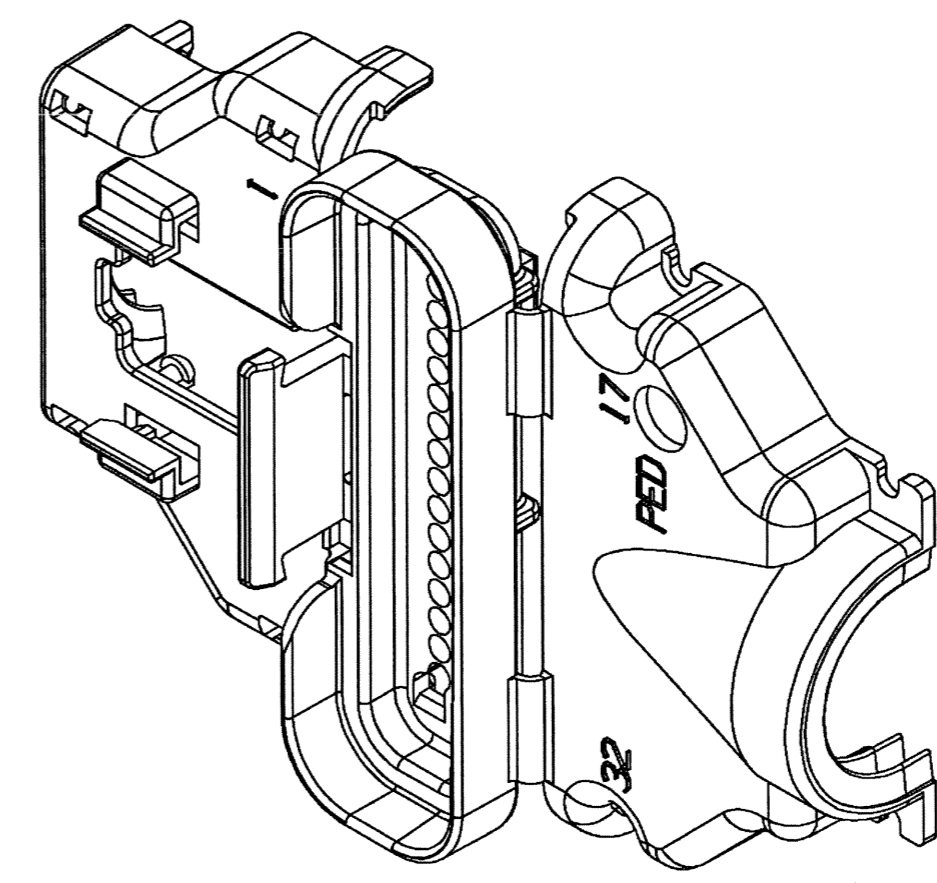
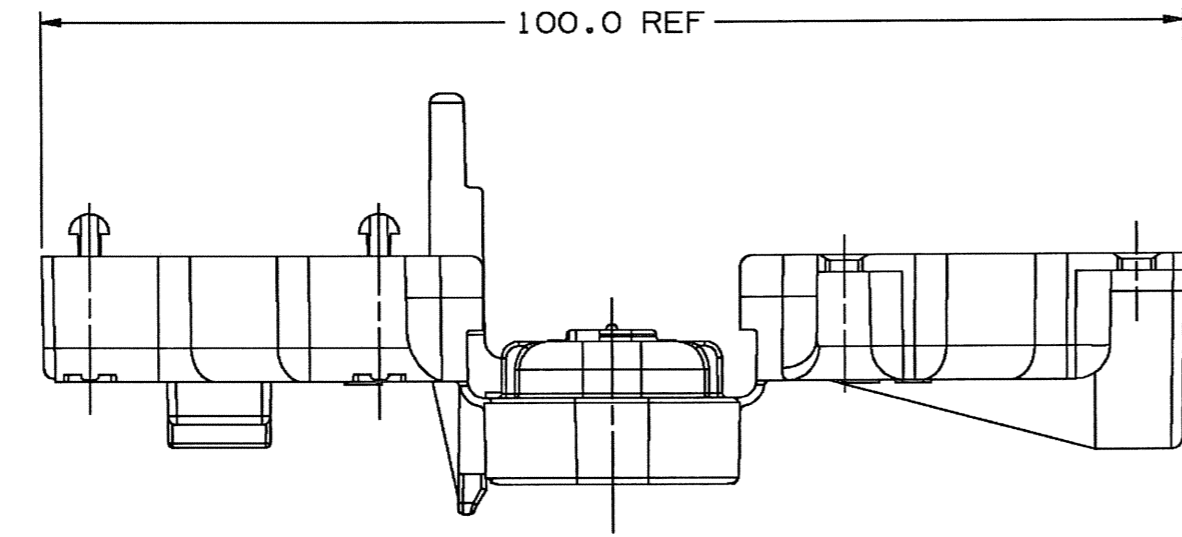


DELPHI PACKARD ELECTRIC SYSTEMS
WARREN, OHIO 44486

DO NOT SCALE

PART NO
1219 1000

DATE	SYM	REVISION RECORD	AUTH	DR	CK
100C95	-	12191001, 12191002 & 12191003 RELEASED	950005	AMVAUG	
19AU96	-	ALL PARTS - REVISED - TO REV "B"	174152	JBSJGS	
04AP97	-	ALL PARTS - REVISED - NO REV UPDATE REQ'D	178125	ELOJVS	
16JN97	-	ALL PARTS - REVISED - NO REV UPDATE REQ'D	181164	CRMWPO	
09FE98	-	15336800 - RELEASED TO REV "A"	980005	FRGFKV	



Make ECL's match non-distributable print

TEMPORARY PRODUCTION PRINT
CN 268864
APPROVED BY [Signature] DATE 6/7/05
APPROVED BY [Signature] DATE 6/7/05

PART NO
1219 1000

NOTES:

- UNLESS OTHERWISE SPECIFIED AND/OR INDICATED: DIMENSIONS ARE TO FACE OF VIEW SHOWN AND AUTOMATICALLY ROUNDED BY COMPUTER FOR INSPECTION. (SEE MATH MODEL FOR PRECISE DIMENSION) FOR ALL OTHER DIMENSIONS NOT SHOWN BUT REQUIRED FOR TOOL BUILD, SEE MATH MODEL FOR PRECISE TOOL PATH DATA.
- MATING COMPONENTS:
CONNECTOR 15305371 OR EQUIVALENT
TERMINAL 12084912 OR EQUIVALENT
MAX CRIMP WING DIMENSION AFTER CRIMPING - 2.55 DIAMETER
MAX CABLE O.D. 2.42
REFER TO ESA-605 FOR CRIMP DIMENSIONS
RETAINER 12129021 OR EQUIVALENT
CONNECTOR SEAL 15305333 OR EQUIVALENT
CABLE SEAL PLUG 12129557 OR EQUIVALENT
SEE DETAIL DRAWING FOR COMPATIBLE O.D. RANGE
CONNECTOR POSITION ASSURANCE LOCK 12177289 OR EQUIVALENT
HEADER CONNECTOR ASM 12129006 OR EQUIVALENT
CONDUIT R-68269 OR EQUIVALENT
CUSTOMER PART - ALLISON TRANSMISSION DIVISION WTEC III ELECTRONIC CONTROL UNIT OR EQUIVALENT
- PART IS MANUFACTURED TO GEOMETRIC TOLERANCES. CENTERLINE DIMENSIONS ARE FOR REFERENCE ONLY.
- DIMENSIONS MARKED "REF" ARE FOR REFERENCE ONLY AND NO TOLERANCE LIMITS ARE ESTABLISHED.

DRAWING TYPE PID	OTHER DRAWINGS AVAILABLE DETAIL/CPAD
Utigraphics II	METRIC DIMENSIONS ARE IN MILLIMETERS UNLESS OTHERWISE SPECIFIED
THIRD ANGLE PROJECTION	TOLERANCE UNLESS OTHERWISE SPECIFIED DECIMAL ANGULAR ± 2°
CODE NO 6900	ONE PLACE ± 0.3 TWO PLACE ± 0.15
DWG DATE OBN094	DES'D. BYBBE/RDS OBN094 DR ALBERTO VITE 100C95
SCALE 2:1	CK A. UGALDE G. 110C95 APPR CAROL FITCH 230C95
REFERENCE NO	VOL CM ³ 15.154
MATERIAL SPEC	SEE CHART
NAME	TAXI STRAIN RLF 32F MIC/P 100W
PART NUMBER 1219 1000	SIZE A1

PART NO	REV	STATUS	MATERIAL SPEC & COLOR
15336800	A		R0100235 TEEE 82D HS MS-RED
12191003	B		R0100222 TEEE 82D HS MS-BLU
12191002	B		R0100221 TEEE 82D HS MS-GRA
12191001	B		R0100220 TEEE 82D HS MS-BLK

12191000-001.dwg (r1.00005) Date: 16-Mar-99 Time: 2:44 Pm Message: