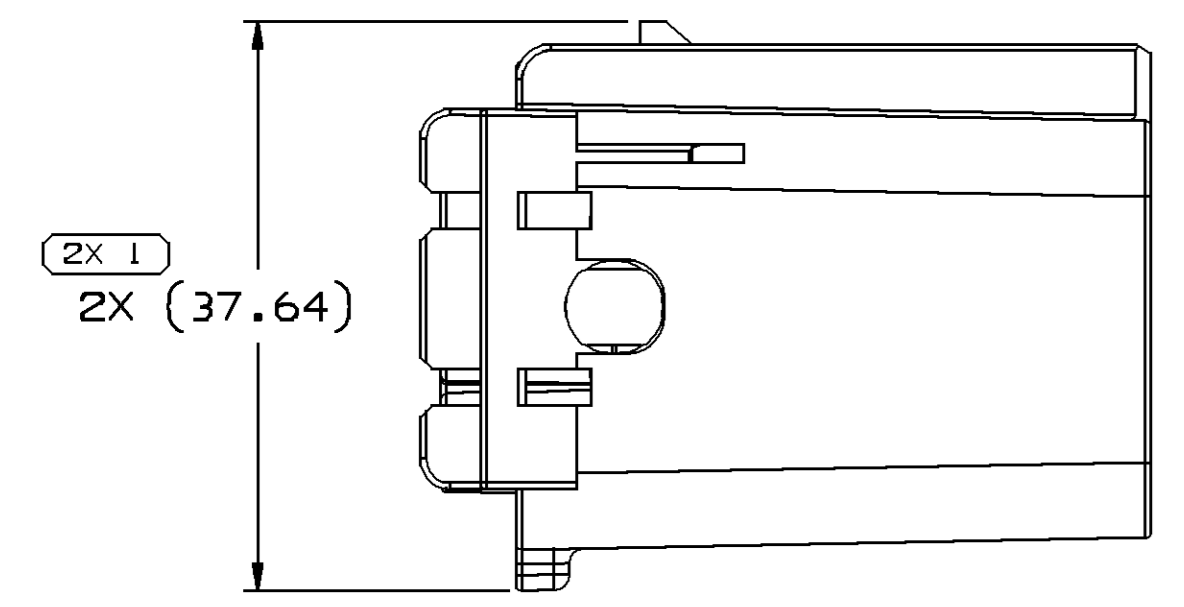
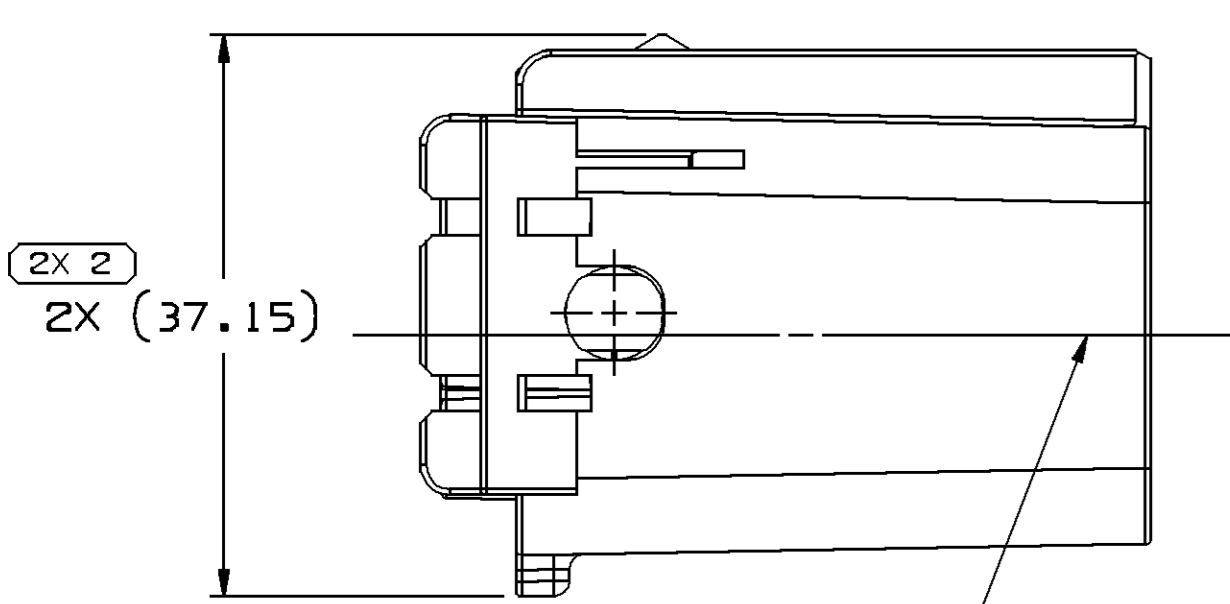


SYMBOL DEFINITION		TOTAL NO OF INSPECTIONS REQUIRED		MISSING SYMBOLS	
A DIMENSION WITHOUT AN INSPECTION REPORT SYMBOL DOES NOT REQUIRE INSPECTION. IT MAY BE CONTROLLED ON THE INDIVIDUAL COMPONENT DRAWING.		33		NO MISSING SYMBOL NUMBER	
		LAST NO. USED		29	

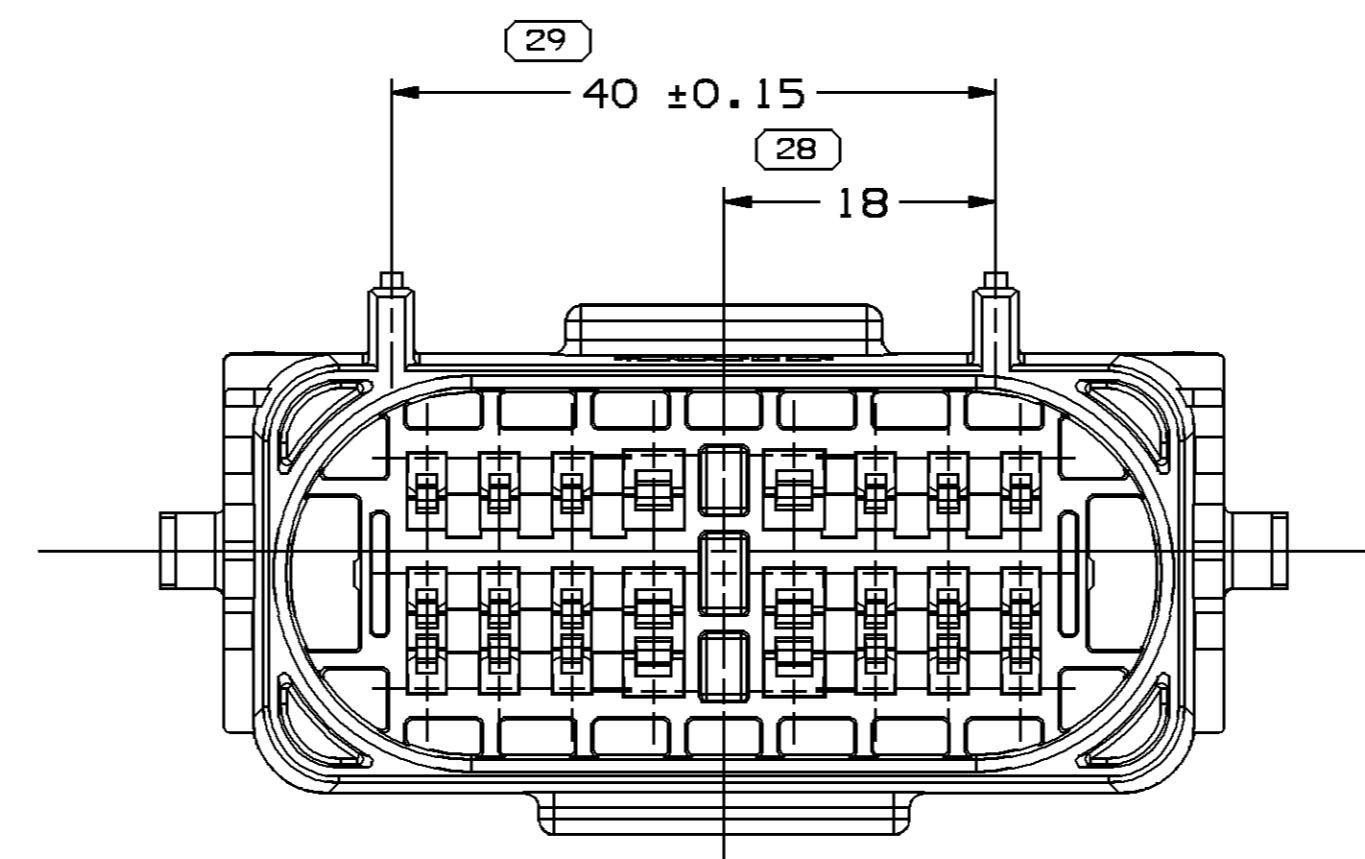
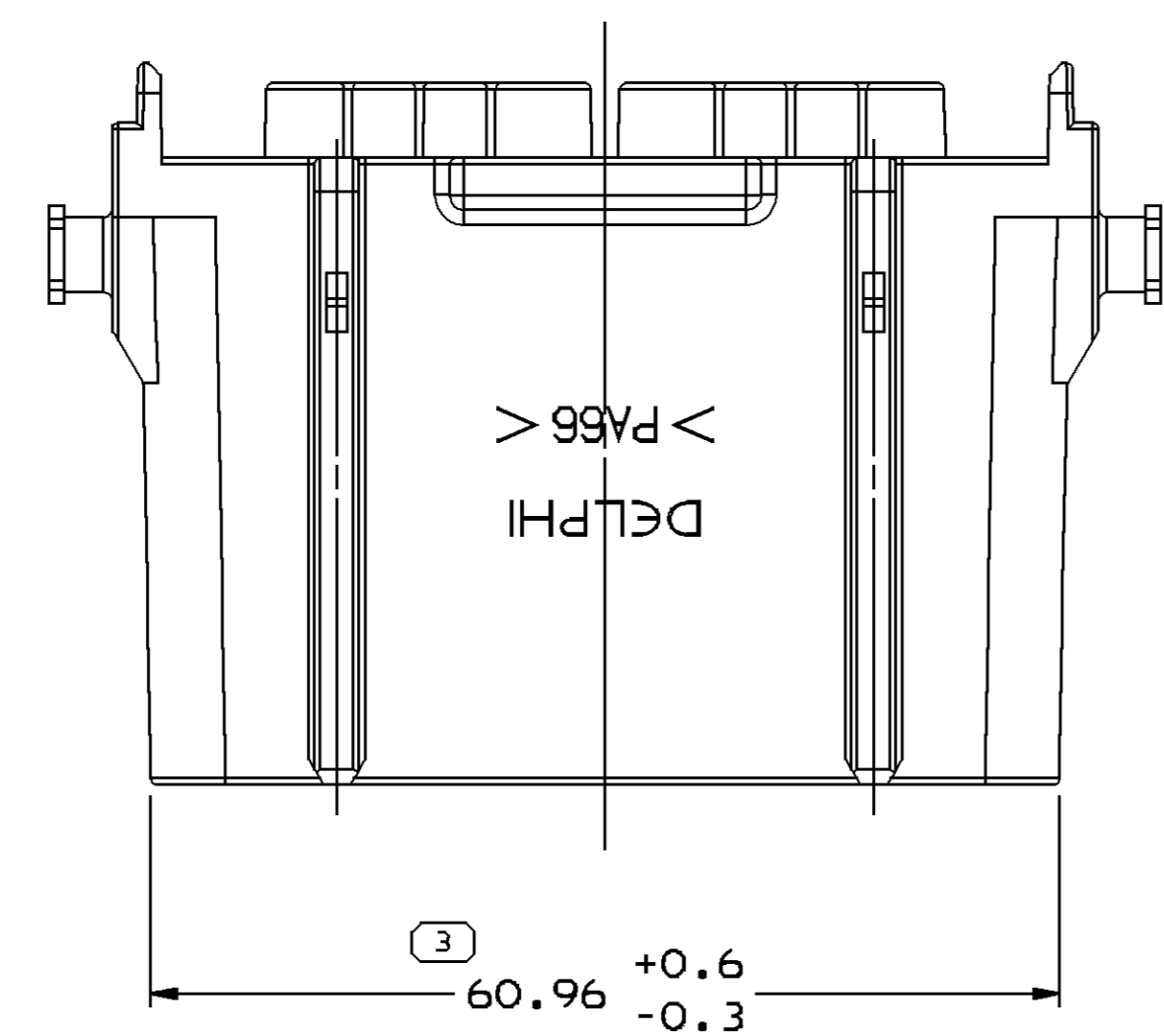
DWG STATUS				REVISION HISTORY				AUTH		DR		AP/VD	
DATE	STG	REV	N/P	CHG	ZONE								
13FE04	R	01	-	-		15486591 - RELEASED AND 15336173 - WAS SEPARATE DWG	250984	CCV	FKV	MP			
22AP04	R	02	-	-		15488828 - RELEASED	253898	JTV	FKV	MP			
22JN06	R	03	-	-		ALL PARTS - 60.96+0.6-0.3 WAS 60.96+0.5-0.3	281936	TLD	TLD	MP			
29MR07	R	04	-	-		15336173 - UPDATED PDM ATTRIBUTES	400956	JJA	JVM	JGS			



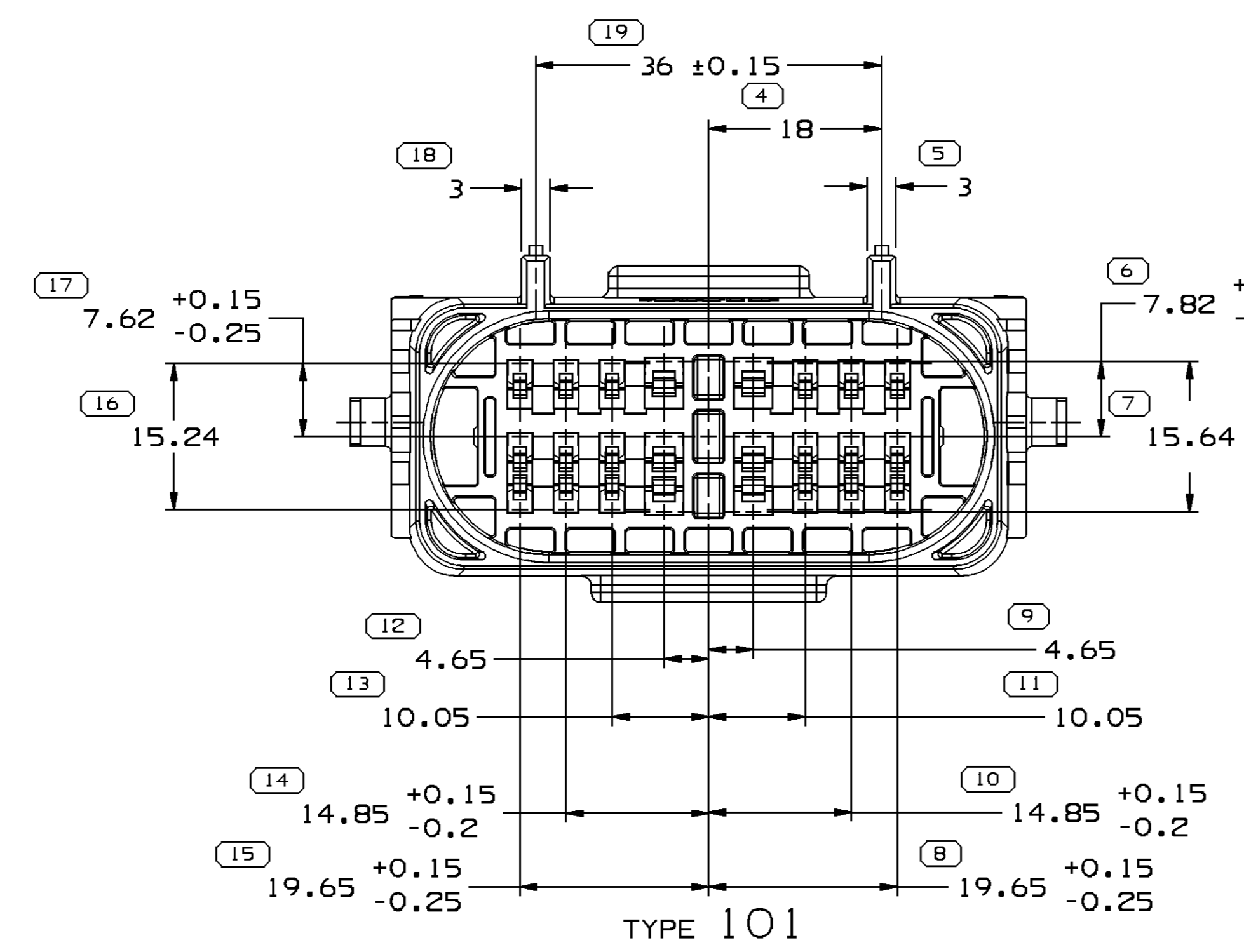
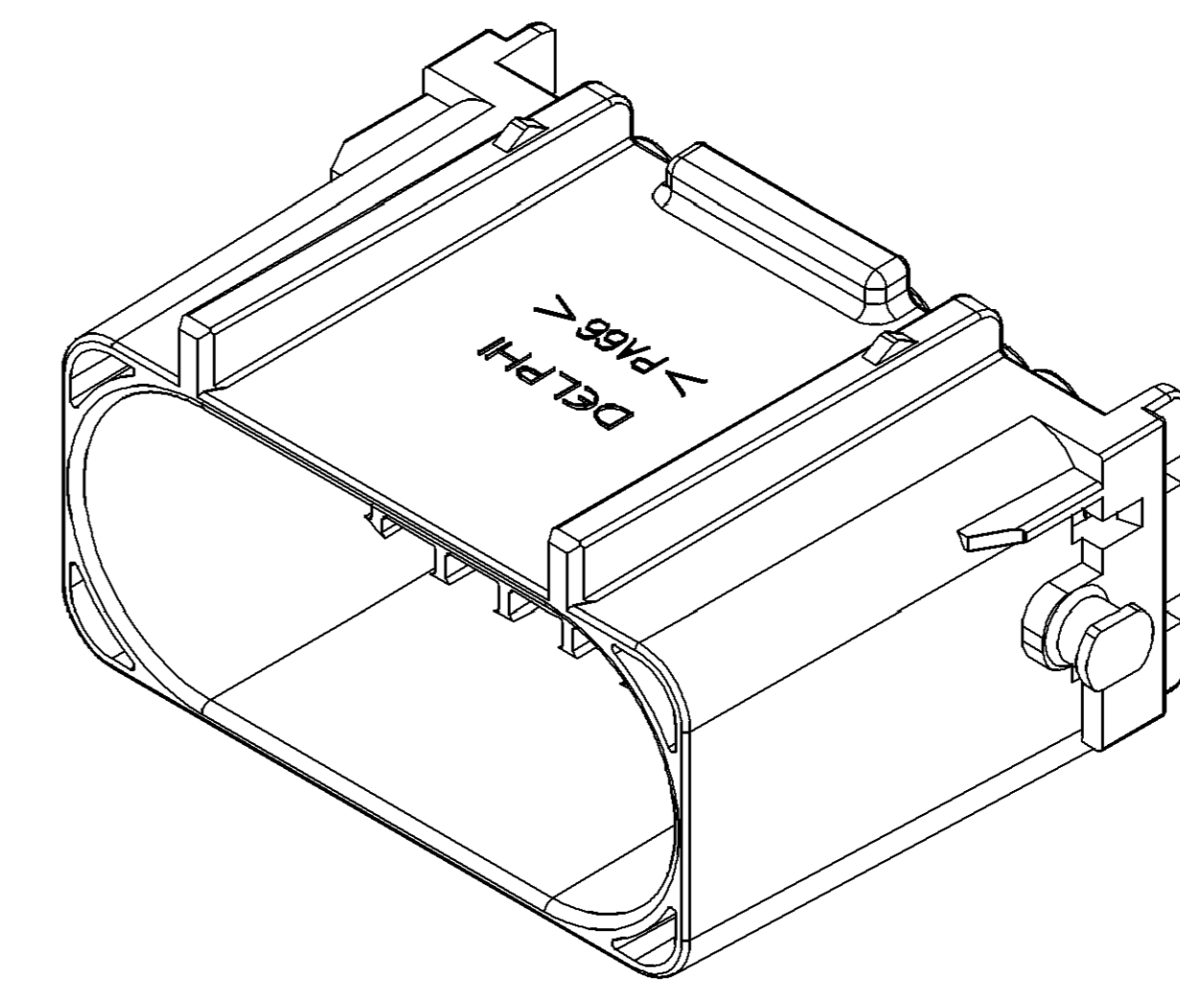
TYPE 102  
SAME AS TYPE 101  
EXCEPT AS SHOWN



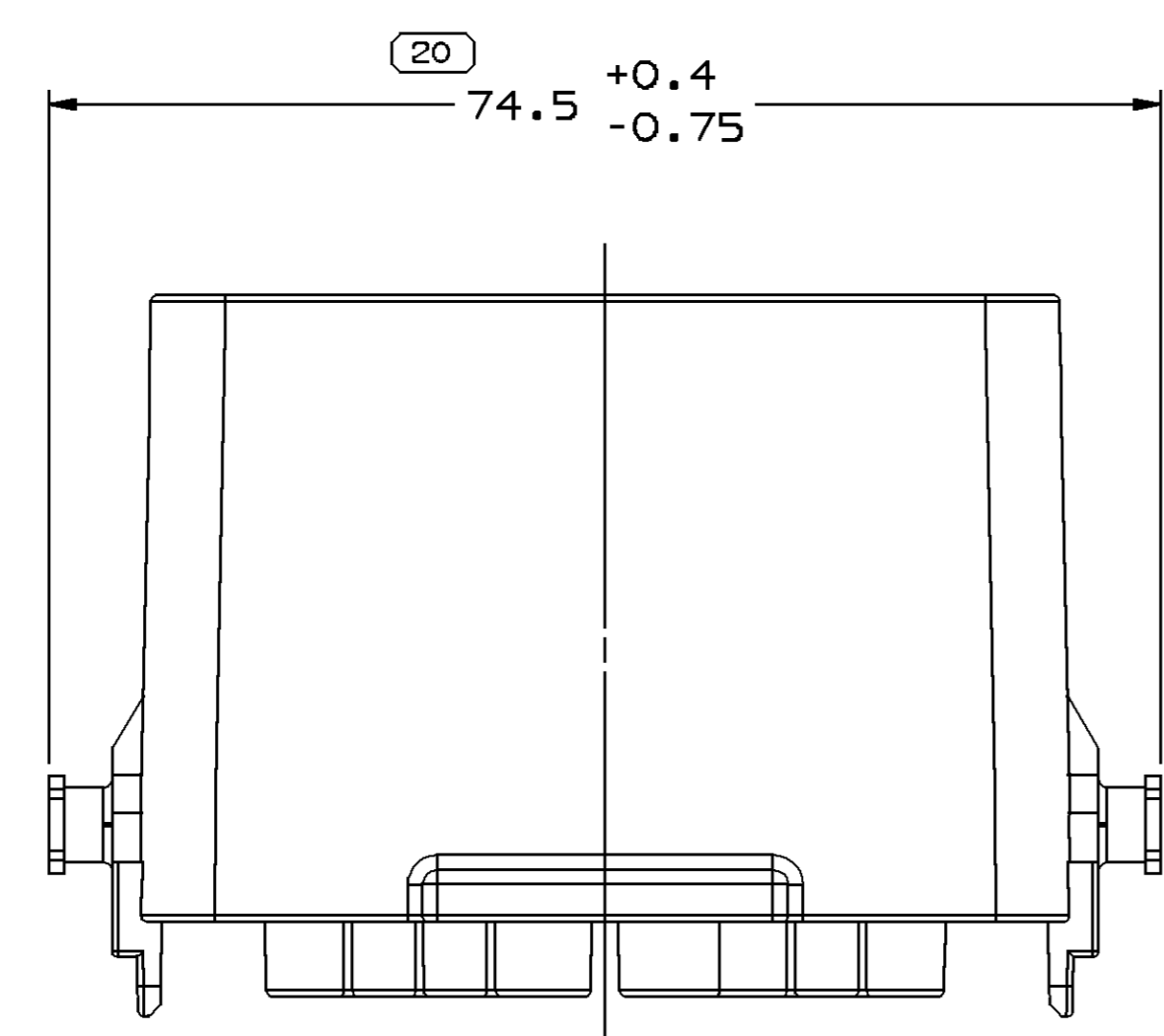
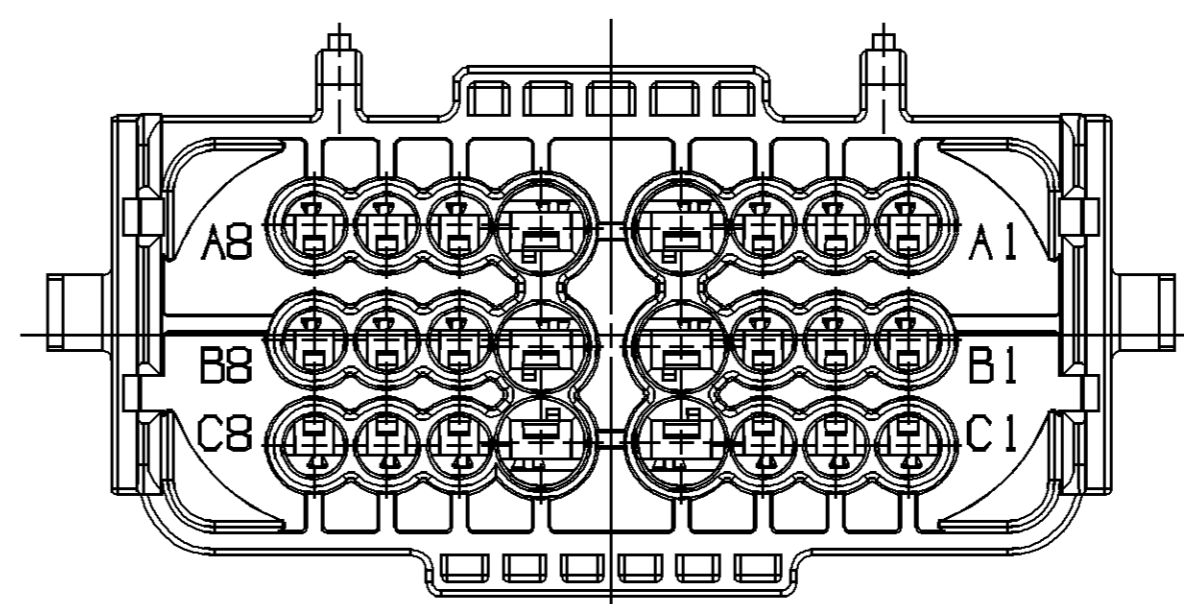
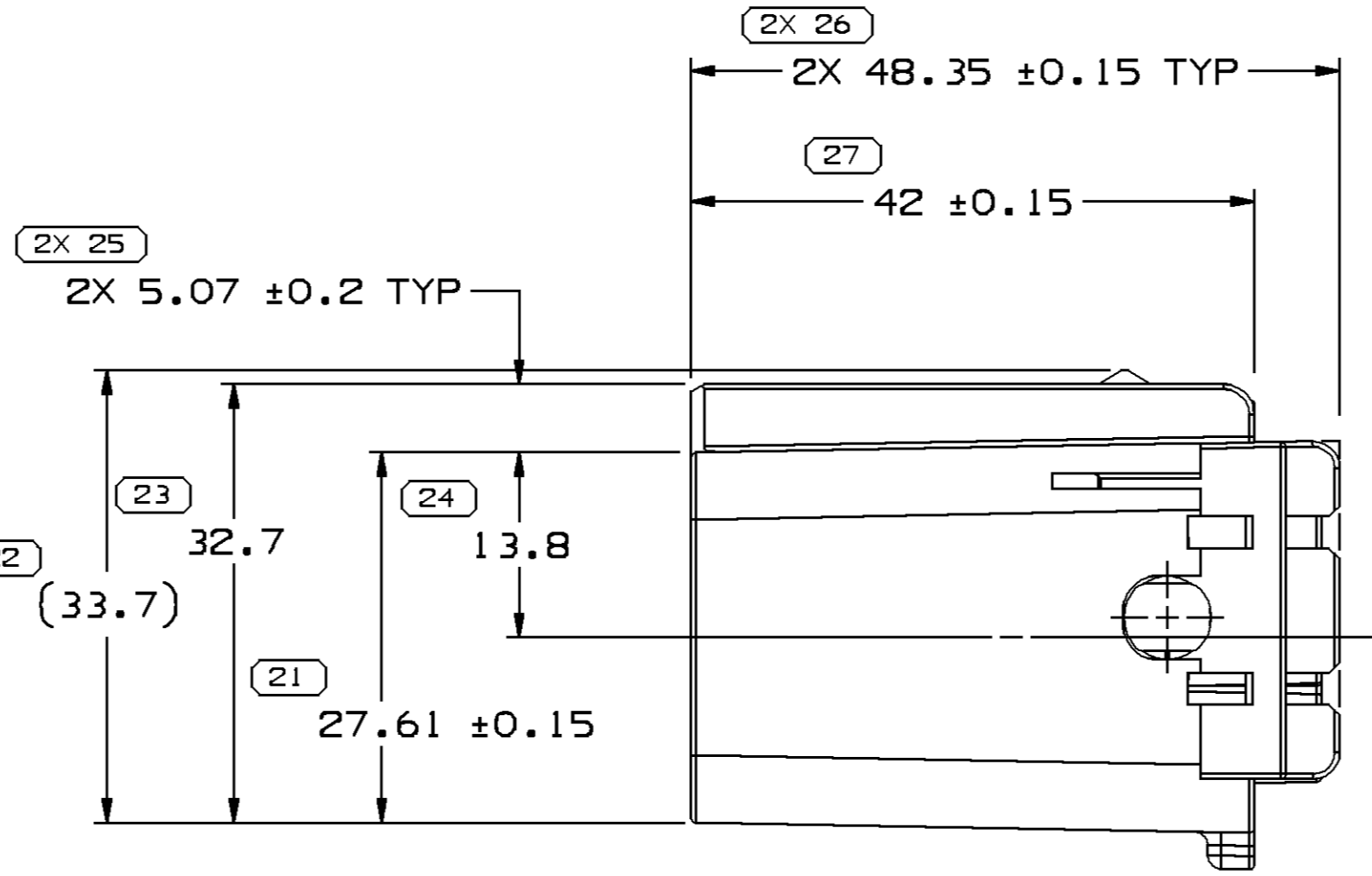
φ OF CONNECTOR



TYPE 103  
SAME AS TYPE 101  
EXCEPT AS SHOWN



TYPE 101



NOTES

- UNLESS OTHERWISE SPECIFIED AND/OR INDICATED:  
DIMENSIONS ARE TO FACE OF VIEW SHOWN AND AUTOMATICALLY ROUNDED BY COMPUTER FOR INSPECTION (SEE MATH MODEL FOR PRECISE DIMENSIONS). FOR ALL OTHER DIMENSIONS NOT SHOWN BUT REQUIRED FOR TOOL BUILD, SEE MATH MODEL FOR PRECISE TOOL PATH DATA.
- MATING COMPONENTS OR EQUIVALENT:
- THIS PART ACCEPTS THE FOLLOWING COMPONENTS OR EQUIVALENT:  
CAVITIES A1, A2, A3, A6, A7, A8, B1, B2, B3, B6, B7, B8, C1, C2, C3, C6, C7, & C8 TO ACCEPT 15304707 TERMINAL.  
CAVITIES A4, A5, B4, B5, C4 & C5 TO ACCEPT 15304731 TERMINAL.  
PLR 15373421  
CAVITIES A1, A2, A3, A6, A7, A8, B1, B2, B3, B6, B7, B8, C1, C2, C3, C6, C7, & C8 TO ACCEPT 12191227 CABLE SEAL (Ø 4 CAVITY).  
CAVITIES A4, A5, B4, B5, C4 & C5 TO ACCEPT 12191233 CABLE SEAL (Ø 5.8 CAVITY).  
TPA 15355357 AND 15355358 (WITHOUT TAPE TAB)  
TPA 15410207 AND 15410208 (WITH TAPE TAB)
- FOR SEVERE WIRE DRESS / ASSEMBLY APPLICATIONS. DIFFICULT TO DISASSEMBLE.
- MATERIAL RECYCLING CODE PER ISO 11469. (2.31X10.1) CHARACTERS AS SHOWN TO BE LOCATED ON ANY EXTERIOR SURFACE.
- (2.31X10.1) DELPHI CORPORATE BRAND TO BE LOCATED ON ANY EXTERIOR SURFACE, PREFERABLY VISIBLE AT FINAL ASSEMBLY. OPTIONAL CONSTRUCTION TO BE "PED".

PART NO	REV	N/P	STATUS	TYPE	MATERIAL SPECIFICATION AND COLOR	VOL CM³	MATING CONNECTOR	ASSEMBLY NOTES
15488828	01	AA	-	103	M2279002 PA66 GF14 HS IM NAT	31.057	15488829	-
15486591	01	AA	-	102	M2279001 PA66 GF14 HS IM BLK	31.067	15366099	-
15336173	F	7	-	101	M2279001 PA66 GF14 HS IM BLK	31.058	15366099	-

DIMENSIONAL RANGE (MM)		TOLERANCE UNLESS OTHERWISE SPECIFIED	
FROM	TO	±	ANGULAR TOLERANCE 2°
> 0	> 30	±0.15	
> 30	> 70	±0.2	
> 70	> 100	±0.3	
> 100	> 150	±0.4	
> 150	> 200	±0.5	
> 200	> 250	±0.6	
> 250	> 300	±0.8	
> 300	> 400	±1.0	

DWG TYPE: PART DRAWING

STYLE: SEE CHART

VOLUME (C/H): D

DISTR CODE: D

UNLESS OTHERWISE SPECIFIED:  
THIS DOCUMENT IS IN ACCORDANCE WITH ASME Y14.5M-1994 AS MODIFIED BY THE IN HOUSE DIMENSIONING AND TOLERANCING MANUAL (P/P). ALL DIMENSIONS UNLESS OTHERWISE SPECIFIED SHALL BE IN MILLIMETERS. DIMENSIONS UNLESS OTHERWISE SPECIFIED SHALL BE ESTABLISHED BY ORIENTATION OR LOCATION TOLERANCES. SPACED PARTITION CALLOUTS MAY BE SHOWN SEPARATELY, REGARDLESS OF DATUM REFERENCE.  
ALL DIMENSIONS ARE IN MILLIMETERS.

THIRD ANGLE PROJECTION

DO NOT SCALE

USE MATH DATA

**DELPHI**  
DELPHI PACKARD ELECTRICAL/ELECTRONIC ARCHITECTURE  
WYOMING, OH

DR	DATE
APV01 CESAR F. CERVANTES	13FE04
APV02 FCO, W. KOPKA	13FE04
APV03 MATT PENN	16FE04
APV04	
APV05	

UNLESS OTHERWISE SPECIFIED:  
SUBSTANCES OF CONCERN AND RECYCLED CONTENT PER DELPHI 10949001

MATERIAL: SEE CHART

DRAWING NAME: TAXI CONN M GT 150 280 SLD

DRAWING NUMBER: 15486592

SIZE	SCALE	FRAME NO	SHEET NO	STG	REV	N/P
A0	2:1	1	1	1	04	-