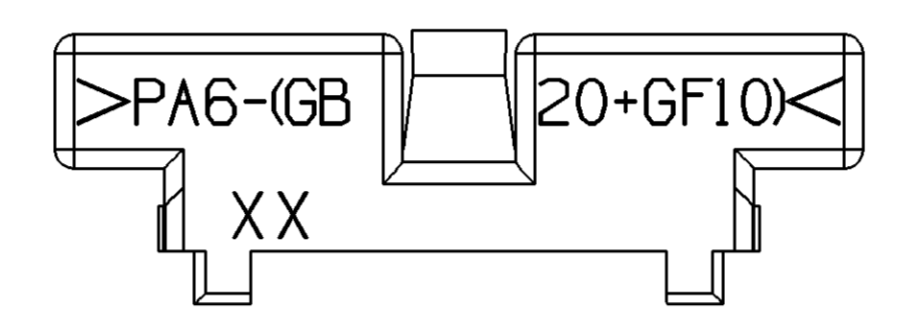
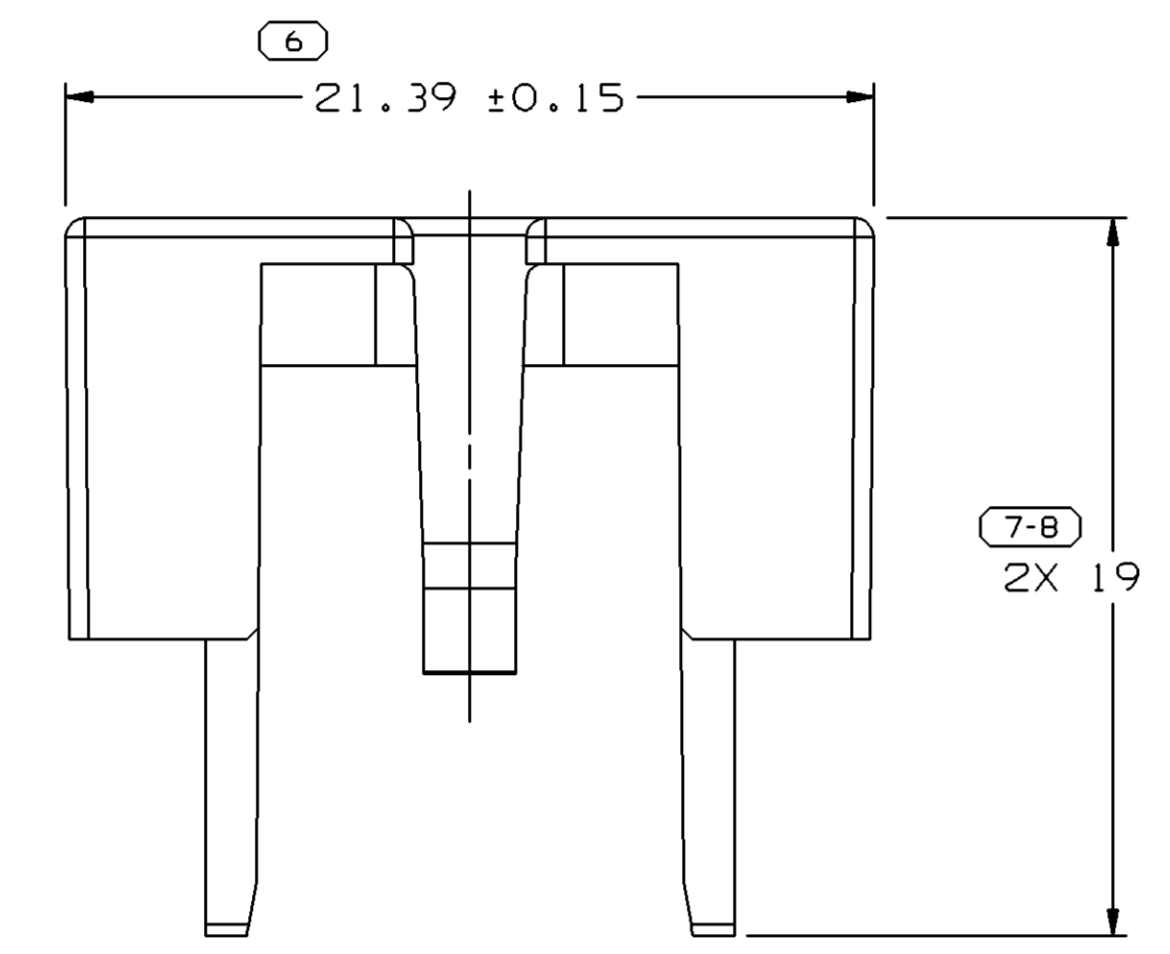
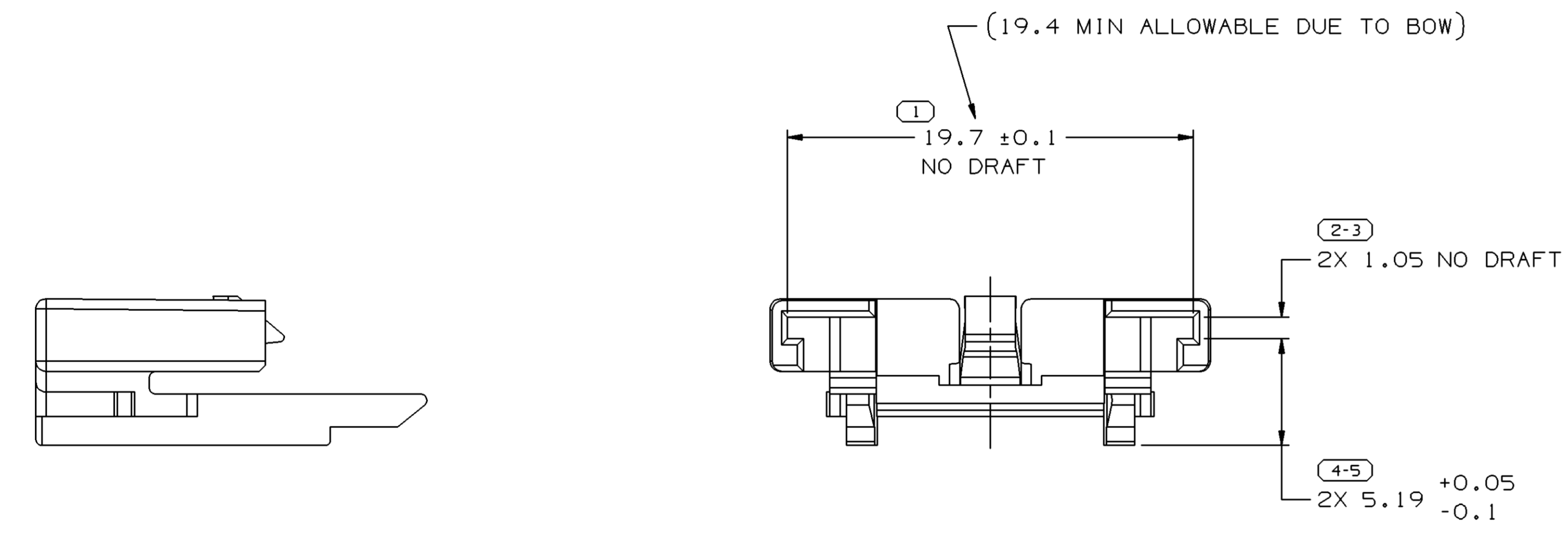


SYMBOL DEFINITION		MISSING NUMBERS	
A DIMENSION WITHOUT AN INSPECTION REPORT SYMBOL () DOES NOT REQUIRE INSPECTION. IT MAY BE CONTROLLED ON AN INDIVIDUAL COMPONENT DRAWING.	TOTAL NO. OF SYMBOLS ON DRAWING	7	
	LAST NO. USED	10	

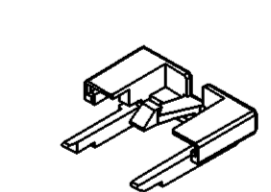
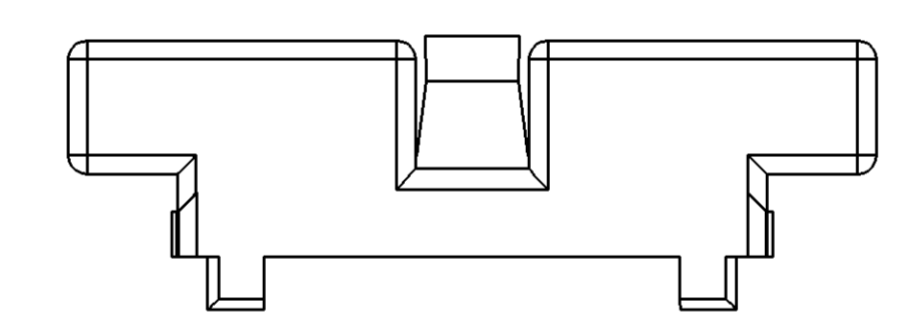
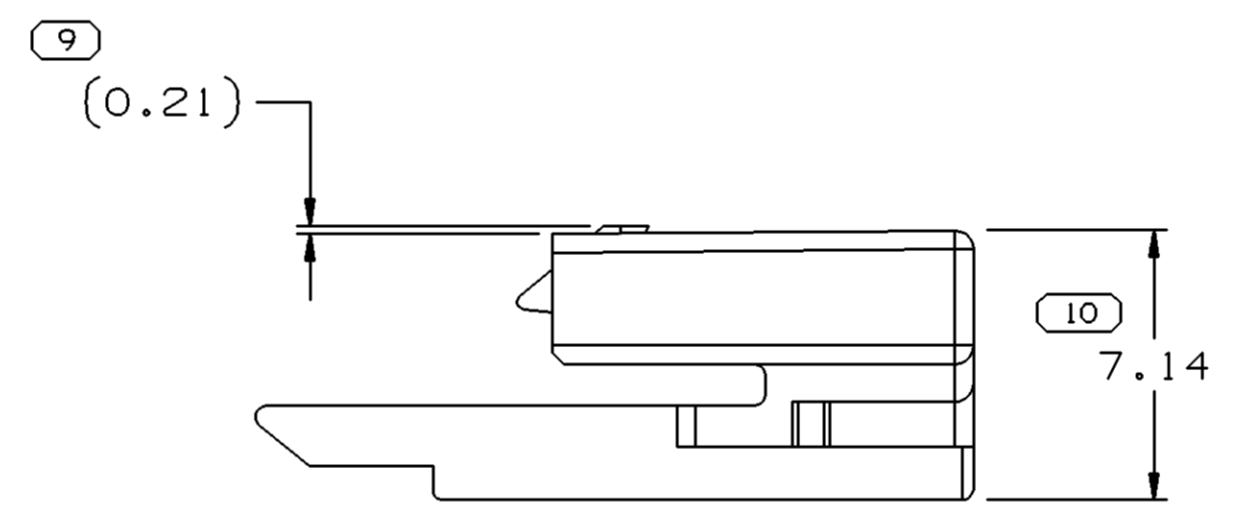
DWO STATUS		ZONE		REVISION HISTORY		AUTH	DR	APVD	APVD
DATE	STG	REV	N/P	CHO					
29MY02	R	11	-	-	CLEARED REV COLUMN: 15405481 - REVISED GRAPHICS; M3571006 WAS PM003571 006, M2965008 WAS PM002965 008, M3571003 WAS PM003571 003; REVISED NOTES	226118	CJP	CJP	MB
18JUL03	R	12	-	-	ALL PARTS - UPDATED PDM ATTRIBUTES	243602	JVM	JVM	AD
25JUN04	R	13	-	-	ALL PARTS - UPDATED PDM ATTRIBUTES	256385	JTV	FKV	MDM
13JUL05	R	14	-	-	15317832 - UPDATED PDM ATTRIBUTES AND ADDED FORD PRINT	270016	JBD	JVM	CSD



TYPE 103
SAME AS TYPE 102 EXCEPT AS SHOWN



TYPE 102



NOTES

- UNLESS OTHERWISE SPECIFIED AND/OR INDICATED:
DIMENSIONS ARE TO FACE OF VIEW SHOWN AND AUTOMATICALLY ROUNDED BY COMPUTER FOR INSPECTION. (SEE MATH MODEL FOR PRECISE DIMENSIONS.) FOR ALL OTHER DIMENSIONS NOT SHOWN BUT REQUIRED FOR TOOL BUILD, SEE MATH MODEL FOR PRECISE TOOL PATH DATA.
- THIS PART IS NOT CONTROLLED FOR AUTOMATIC FEEDING.
- MATERIAL RECYCLING CODE >PA6 (GB20+GF10)< PER SAE J1344 TO APPEAR ON PARTS 15317832 AND 15405481. >PA6T/61/66< PER SAE J1344 TO APPEAR ON 15401975. (1.2)X(0.1) RAISED CHARACTERS AS SHOWN TO BE LOCATED ON ANY EXTERIOR SURFACE. OPTIONAL CONSTRUCTION TO BE NO MATERIAL RECYCLING CODE.
- (2.3)X(0.1) DELPHI CORPORATE BRAND TO BE LOCATED ON ANY EXTERIOR SURFACE, PREFERABLY VISIBLE AT FINAL ASSEMBLY. OPTIONAL CONSTRUCTION FOR EXISTING TOOLING MAY BE "PED".

PART NO	REV	N/P	STATUS	TYPE	MATERIAL SPEC & COLOR	REPLACED BY	VOL
15405481	04	-		103	M3571006 PA6 GB20+GF10 HS YEL		0.559
15401975	02	-		102	M2965008 PA6T/61/66 HS IM BLU		0.559
15317832	07	AA		102	M3571003 PA6 GB20+GF10 HS GRA		0.559
15317629	05	-	OBSOLETE	101	M3571009 PA6 GB20+GF10 HS PPL	15317832	0.559

DIMENSIONAL RANGE (MM)		TOLERANCE		CHART ET	
FROM	TO	±	ANGULAR TOLERANCE	±	ANGULAR TOLERANCE
> 0	> 20	> 0.15	± 0.2	> 0.1	± 0.2
> 20	> 30	> 0.2	± 0.3	> 0.1	± 0.3
> 30	> 40	> 0.3	± 0.4	> 0.1	± 0.4
> 40	> 50	> 0.4	± 0.5	> 0.1	± 0.5
> 50	> 60	> 0.5	± 0.6	> 0.1	± 0.6
> 60	> 70	> 0.6	± 0.8	> 0.1	± 0.8
> 70	> 100	> 0.8	± 1.0	> 0.1	± 1.0
> 100	> 150	> 1.0	± 1.2	> 0.1	± 1.2
> 150	> 200	> 1.2	± 1.5	> 0.1	± 1.5
> 200	> 250	> 1.5	± 2.0	> 0.1	± 2.0
> 250	> 300	> 2.0	± 2.5	> 0.1	± 2.5
> 300	> 400	> 2.5	± 3.0	> 0.1	± 3.0

DWO TYPE PART DRAWING	
VOLUME (00)	DISTR CODE
SEE CHART	D
UNLESS OTHERWISE SPECIFIED THIS DOCUMENT IS IN ACCORDANCE WITH ASME Y14.5M-1994 AS MODIFIED BY THE 2003 DIMENSIONING AND TOLERANCING ADDENDUM - 1997. ALL GEOMETRIC TOLERANCES AND RELATED DATUM APPLICABLE TO ALL DIMENSIONS UNLESS OTHERWISE SPECIFIED. MDCI DOES NOT APPLY WHEN RELATIONSHIP BETWEEN FEATURES IS ESTABLISHED BY ORIENTATION OR LOCATION TOLERANCES. SEPARATE POSITION DIALINDS MAY BE GAGED SEPARATELY. REWORKLESS OF DATUM REFERENCE. ALL DIMENSIONS ARE IN MILLIMETERS	
THIRD ANGLE PROJECTION	DO NOT SCALE
USE MATH DATA	UNGRIPHS

DELPHI
DELPHI PACKARD ELECTRIC SYSTEMS
WARREN, OH

DR	DATE
APVD1 R. D'ANDREA	25NO96
APVD2 R. D'ANDREA	25NO96
APVD3 ED ARANGO	12DE96
APVD4	
APVD5	

MATERIAL SPEC CHART
SUBSTANCES OF CONCERN AND RECYCLED CONTENT PER DELPHI 10949001

DRAWING NAME
TAXI LOCK CPA

DRAWING NUMBER
15317831

SIZE A0 SCALE 5:1 FRAME NO 1 OF 1 SHEET NO 1 OF 1 REV N/P 14