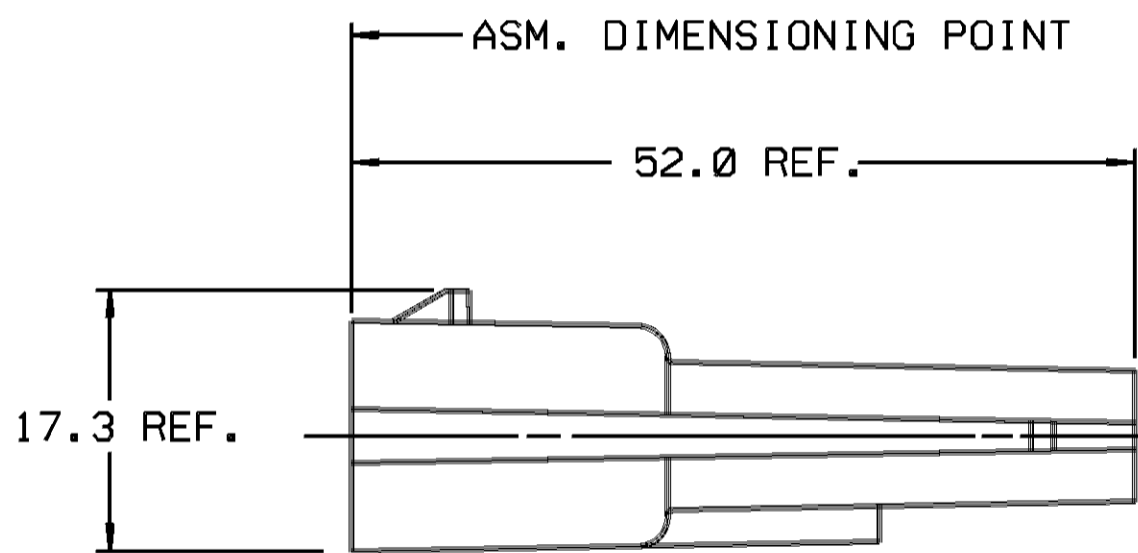
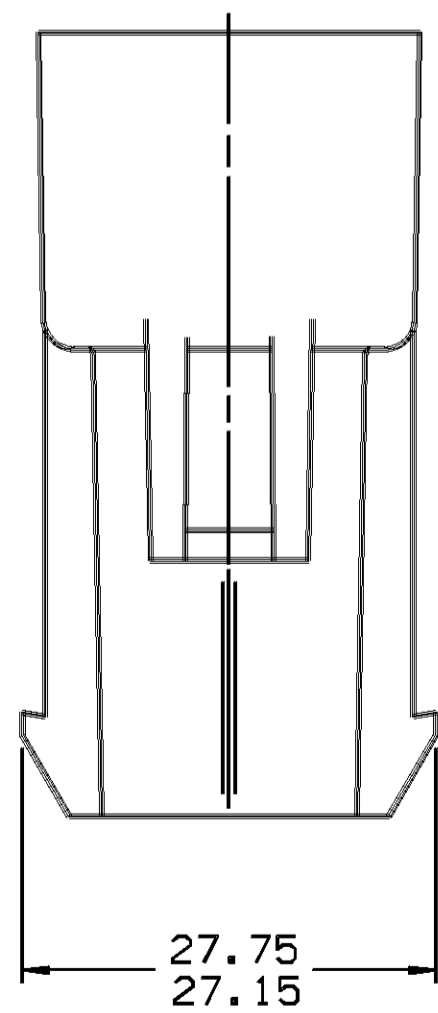
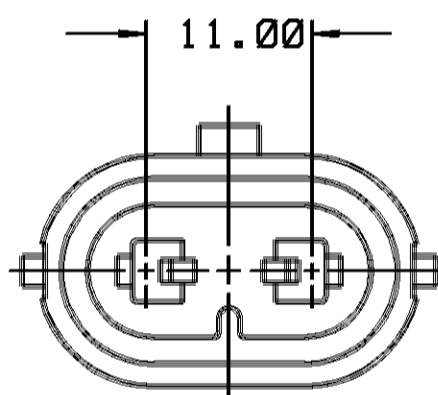
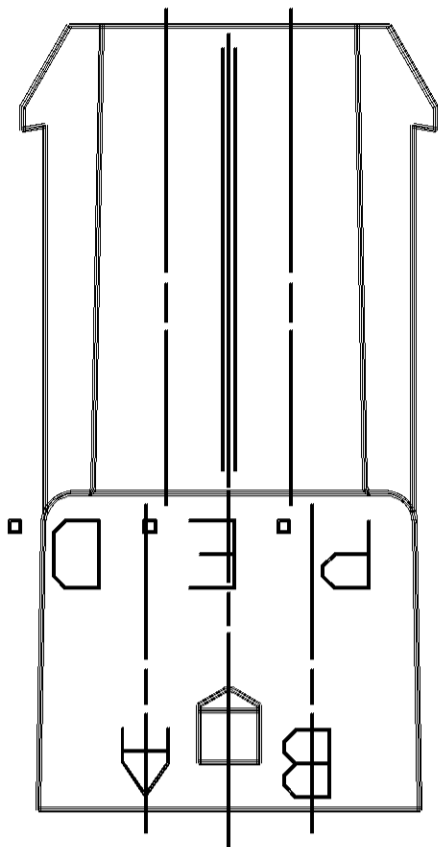


D

THIS DRAWING AND DESIGN HEREON CONSTITUTES A PROPRIETARY DESIGN OF PACKARD ELECTRIC DIVISION AND IS NOT TO BE DUPLICATED OR REPRODUCED WITHOUT AUTHORITY OF PACKARD ELECTRIC DIVISION.

DO NOT SCALE



- NOTES—
1. CAVITIES TO ACCEPT 12040559 TERMINAL, OR EQUIVALENT.
 2. CONNECTOR TO ACCEPT 12015323 CABLE SEAL, OR EQUIVALENT.
 3. CONNECTOR TO ACCEPT 12059185 SECONDARY TERMINAL LOCK, OR EQUIVALENT.

DATE	SYM	REVISION RECORD	AUTHORITY	DR	CK
09N087	B	WAS PE012500 AND RELEASED	870005		

PART NO. 1208 4166

PACKARD ELECTRIC DIVISION
GENERAL MOTORS CORPORATION
WARREN, OHIO

PED / MICROSTATION		FILE SPEC: ****USER**** DGN#SPECIFICATION***** ****SYTIME*****	
THIRD ANGLE PROJECTION		METRIC DIMENSIONS ARE IN MILLIMETERS UNLESS OTHERWISE SPECIFIED.	
CODE NO. 6901	TOLERANCE UNLESS OTHERWISE SPECIFIED DECIMAL: ONE PLACE ± 0.3 ANGULAR ± 2 TWO PLACE ± 0.15		
DWG. DATE 09N087	SCALE NONE	DR. 09N087	
EST. NO.		CK.	DATE
REFERENCE NO. 12084182 "E" SIZE		APPR.	DATE
MATERIAL SPEC. NYLON 66 - MED. GRAY			
NAME CONN 2M M/P 280			
PART NO. 1208 4166	OUTLINE DRAWING		SIZE C