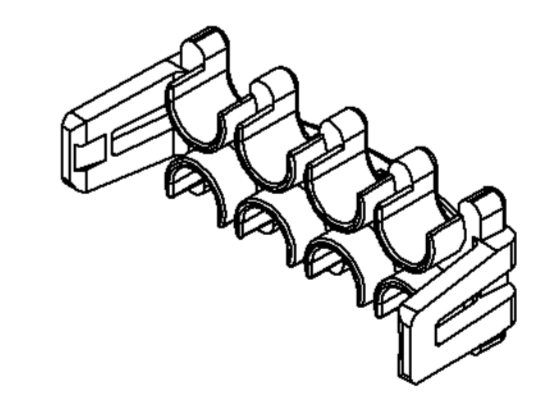
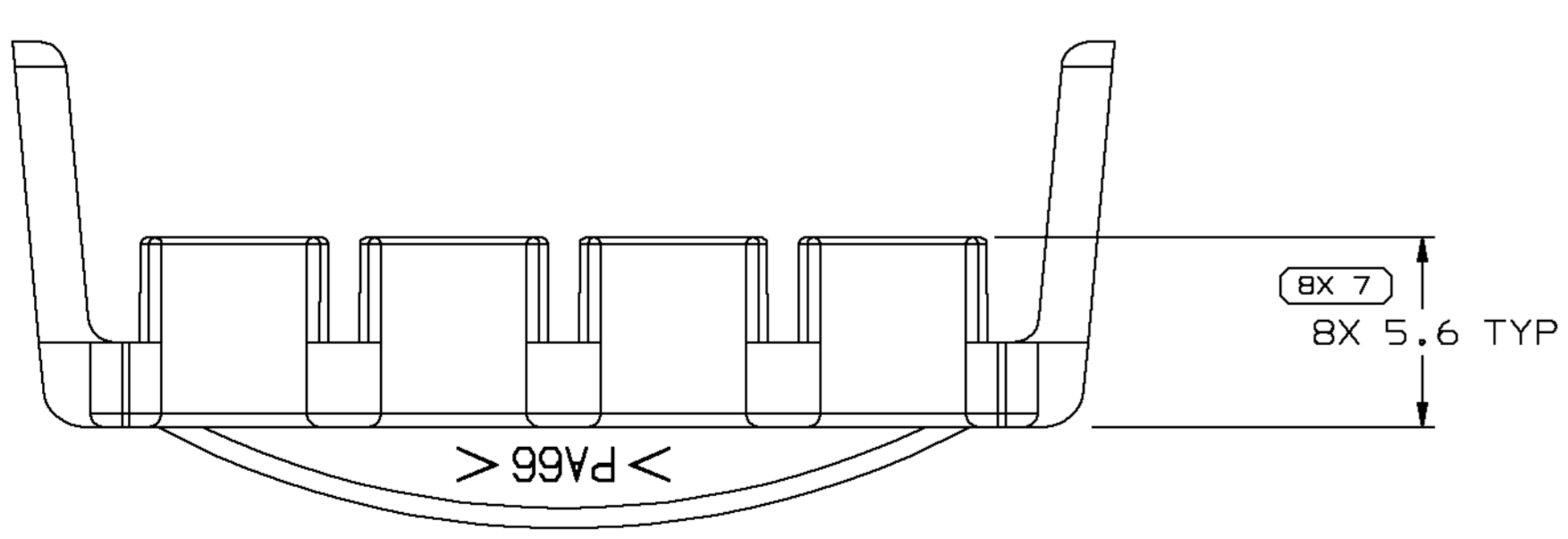
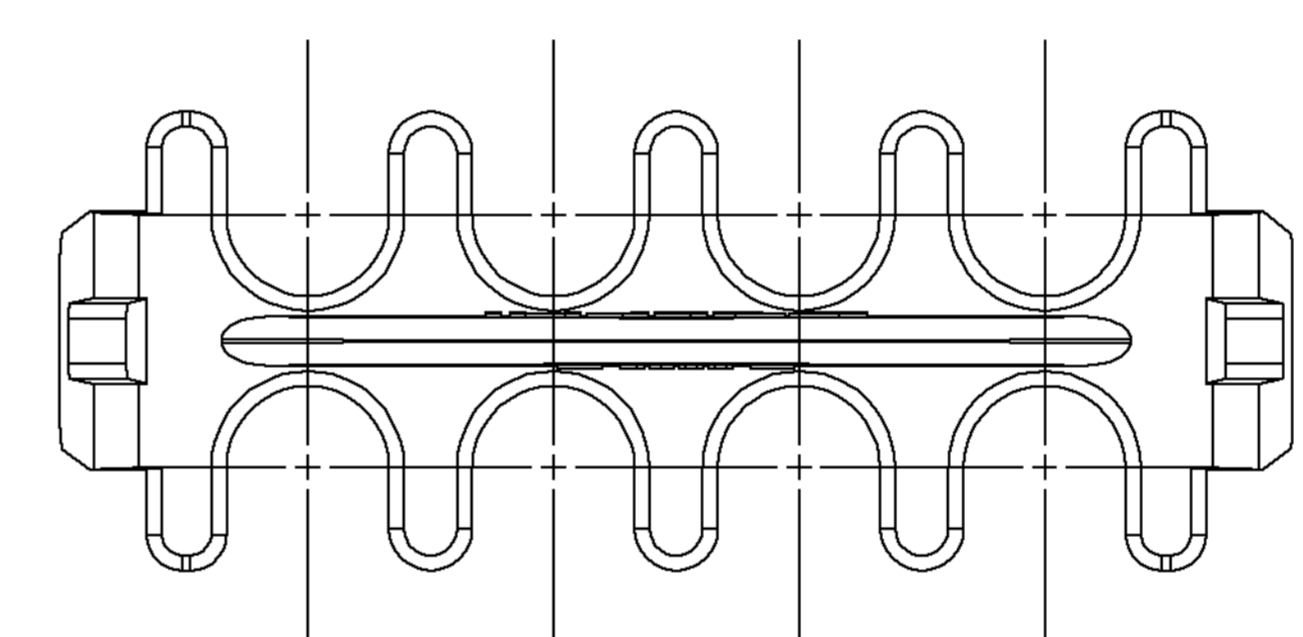
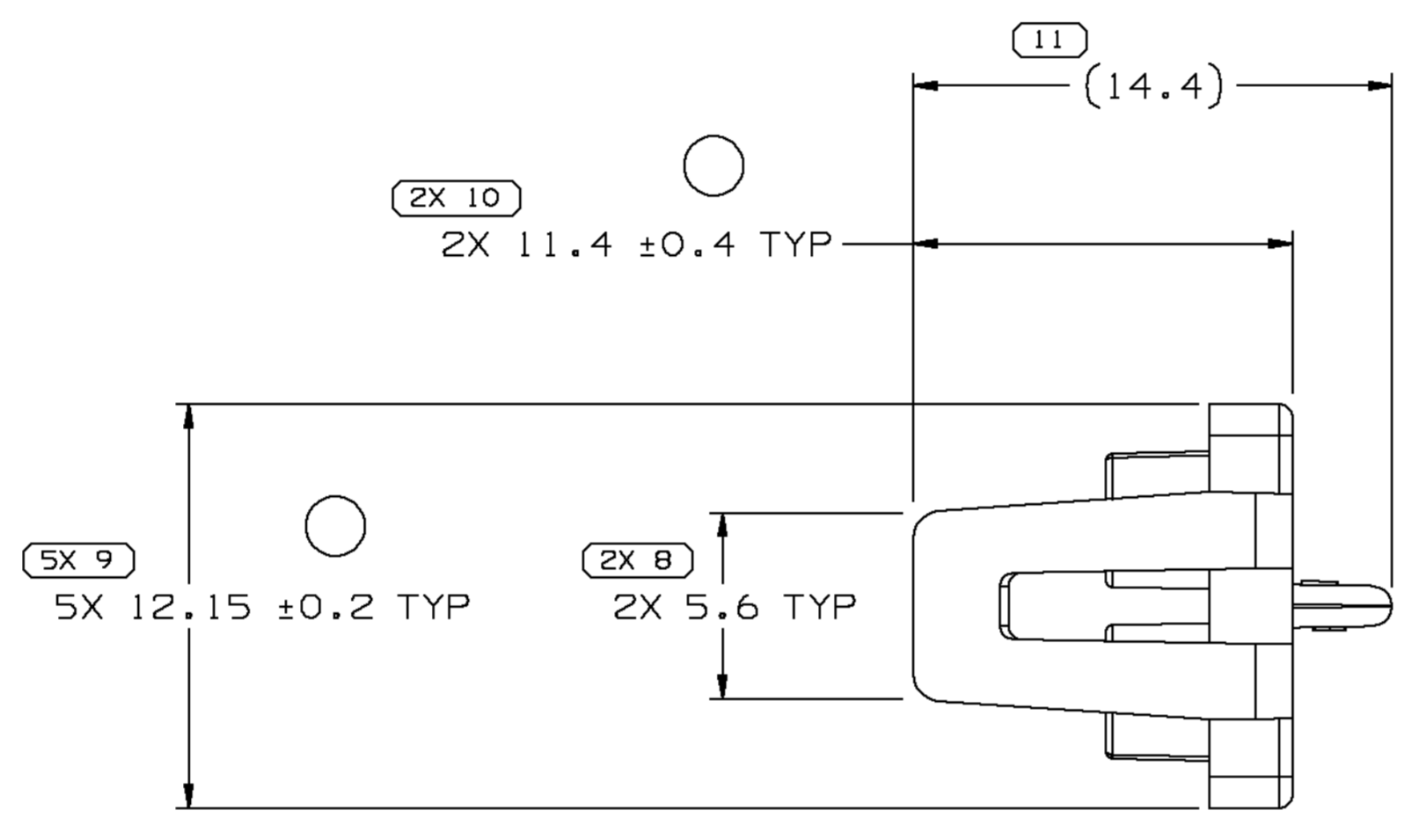
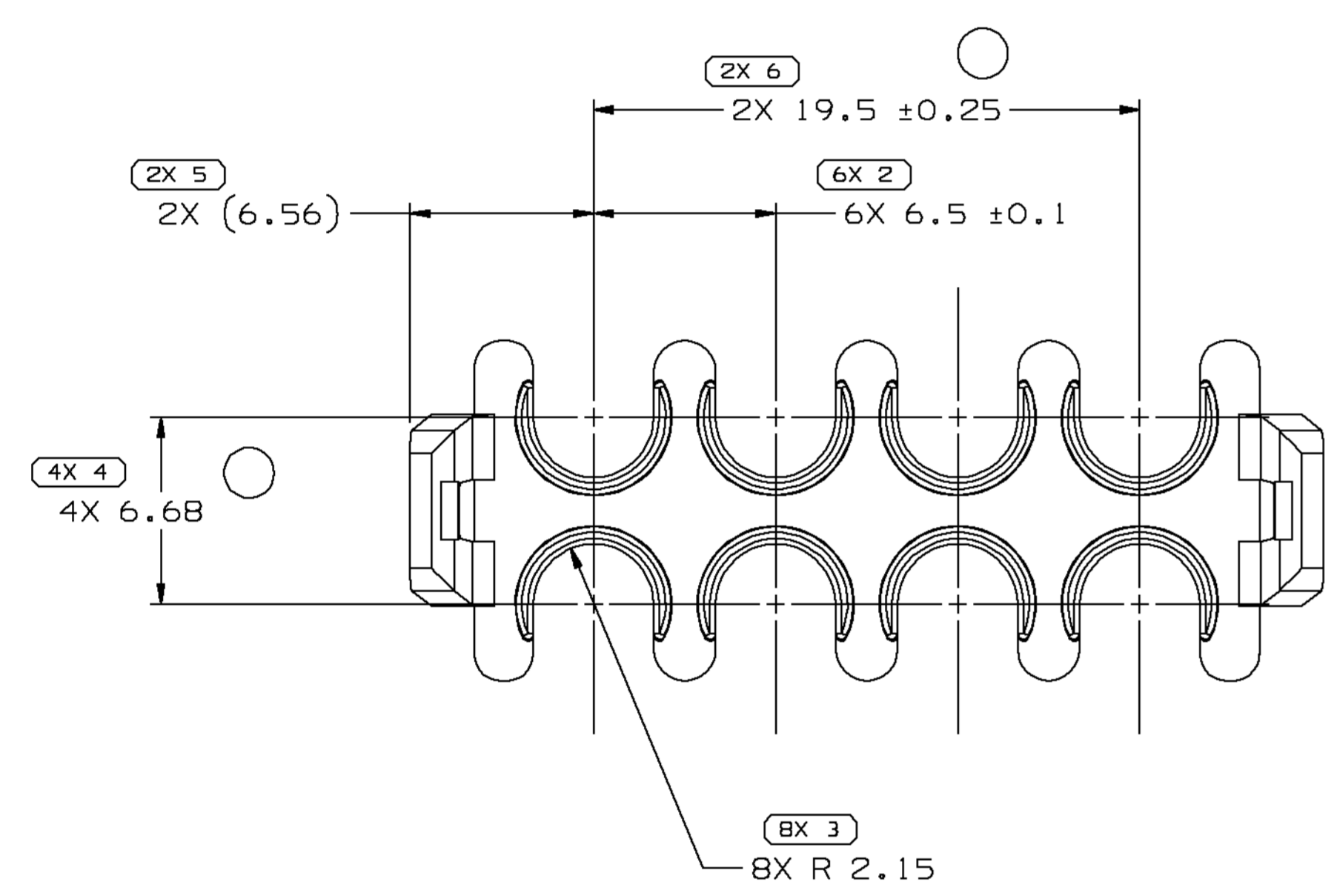
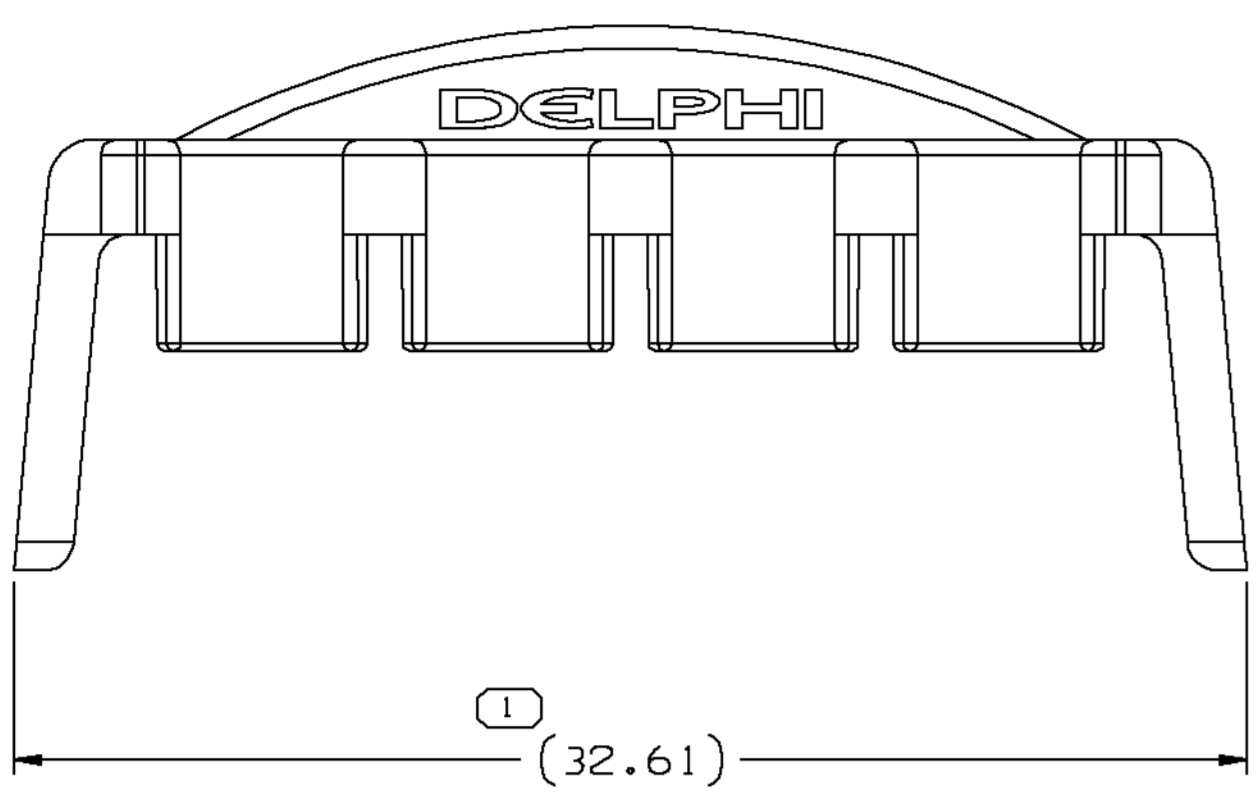


SYMBOL DEFINITION		MISSING SYMBOLS	
A DIMENSION WITHOUT AN INSPECTION REPORT SYMBOL DOES NOT REQUIRE INSPECTION. IT MAY BE CONTROLLED ON THE INDIVIDUAL COMPONENT DRAWING.	TOTAL NO OF INSPECTIONS REQUIRED	NO MISSING SYMBOL NUMBER	
	41		
	LAST NO. USED		
	11		

DWG STATUS				REVISION HISTORY				AUTH	DR	APVD	APVD
DATE	STG	REV	W/P	CHG	ZONE	Cleared Rev Col & Revised Tolerances - SPLCS		224660	CJC	CJC	JM
26AP02	R	01	AA	-							



VIEW SCALE DOES NOT REFLECT ACTUAL PART SIZE

NOTES

- UNLESS OTHERWISE SPECIFIED AND/OR INDICATED: DIMENSIONS ARE TO FACE OF VIEW SHOWN AND AUTOMATICALLY ROUNDED BY COMPUTER FOR INSPECTION (SEE MATH MODEL FOR PRECISE DIMENSIONS). FOR ALL OTHER DIMENSIONS NOT SHOWN BUT REQUIRED FOR TOOL BUILD, SEE MATH MODEL FOR PRECISE TOOL PATH DATA.
- MATING COMPONENTS OR EQUIVALENT: 15326654 & 15326655
- THIS PART IS NOT CONTROLLED FOR AUTOMATIC FEEDING.
- MATERIAL RECYCLING CODE >PA66< PER SAE J1344. (1)(X)(0.1) RAISED CHARACTERS AS SHOWN TO BE LOCATED ON ANY EXTERIOR SURFACE. OPTIONAL CONSTRUCTION TO BE NO MATERIAL RECYCLING CODE.
- (1)(X)(0.1) RAISED DELPHI CORPORATE BRAND TO BE LOCATED ON ANY EXTERIOR SURFACE, PREFERABLY VISIBLE AT FINAL ASSEMBLY. OPTIONAL CONSTRUCTION TO BE "PED" OR NO LOGO.

	DIMENSIONAL RANGE (MM) FROM TO TOLERANCE UNLESS OTHERWISE SPECIFIED 0-20 ±0.3 20-30 ±0.4 30-70 ±0.5 70-100 ±0.6 100-150 ±0.8 150-200 ±1 200-250 ±1.2 250-300 ±1.5 300-400 ±2	CHART E1 DIMENSIONS ENCLOSED IN ( ) INDICATE REFERENCE DIMENSIONS AND NO TOLERANCE LIMITS ARE ESTABLISHED	REFERENCE THIRD ANGLE PROJECTION DO NOT SCALE USE MATH DATA 
	(7) PROCESS SENSITIVE DIMENSION	UNLESS OTHERWISE SPECIFIED THIS DOCUMENT IS IN ACCORDANCE WITH ASME Y14.5M-1994 AS MENDED BY THE GW GLOBAL DIMENSIONING AND TOLERANCING ADDENDUM 1997. ALL DIMENSIONAL TOLERANCES AND RELATED DATUMS APPLY UNLESS OTHERWISE SPECIFIED. THIS DOCUMENT DOES NOT APPLY WHEN RELATIONSHIP BETWEEN FEATURES IS ESTABLISHED BY ORIENTATION OR LOCATION TOLERANCES. SEPARATE POSITION CALLOUTS MAY BE ISSUED SEPARATELY, REGARDLESS OF DATUM REFERENCE.	PART DRAWING STYLE VOLUME (COP) Q, B24 ROUTING 6900 UNLESS OTHERWISE SPECIFIED THIS DOCUMENT IS IN ACCORDANCE WITH ASME Y14.5M-1994 AS MENDED BY THE GW GLOBAL DIMENSIONING AND TOLERANCING ADDENDUM 1997. ALL DIMENSIONAL TOLERANCES AND RELATED DATUMS APPLY UNLESS OTHERWISE SPECIFIED. THIS DOCUMENT DOES NOT APPLY WHEN RELATIONSHIP BETWEEN FEATURES IS ESTABLISHED BY ORIENTATION OR LOCATION TOLERANCES. SEPARATE POSITION CALLOUTS MAY BE ISSUED SEPARATELY, REGARDLESS OF DATUM REFERENCE.

**DELPHI**  
 DELPHI PACKARD ELECTRIC SYSTEMS  
 WARREN, OH

DATE

DR LUIS ORDUNA A. 06MR02  
 APVD G. G. IZQUIERDO 07MR02  
 APVD3 JEFF MENDENHALL 08MR02  
 APVD4  
 APVD5

SUBSTANCES OF CONCERN AND RECYCLED CONTENT PER DELPHI-A 10249001

MATERIAL M3592025 PA66 HS 1M GRA MD

DRAWING NAME TPA 8F GT 280 SLD

DRAWING NUMBER 15430896

SIZE A0 SCALE 5:1 FRAME NO 1 SHEET NO 1 STG REV W/P  
 2 1 OF 1 1 OF 1 R 01 AA