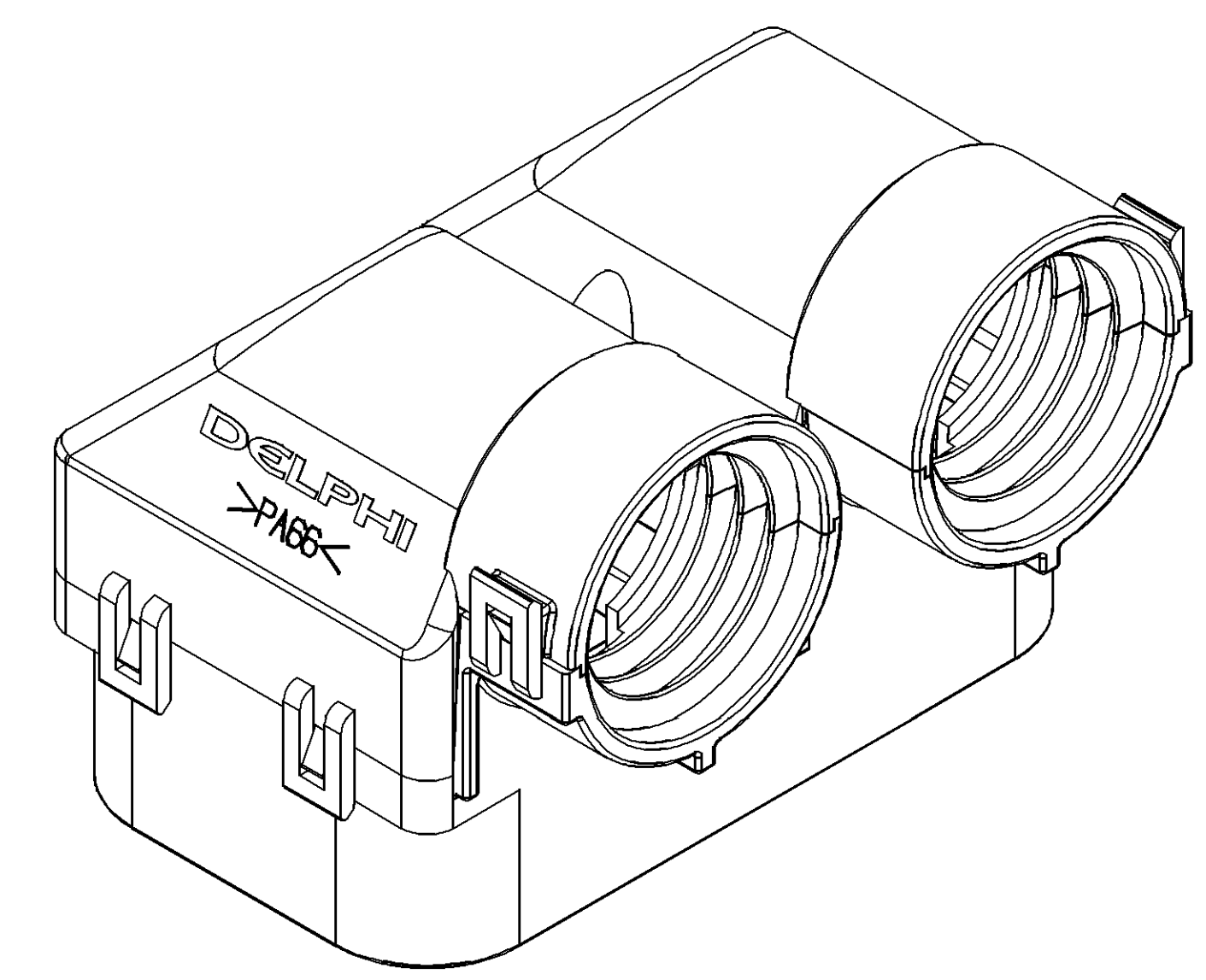
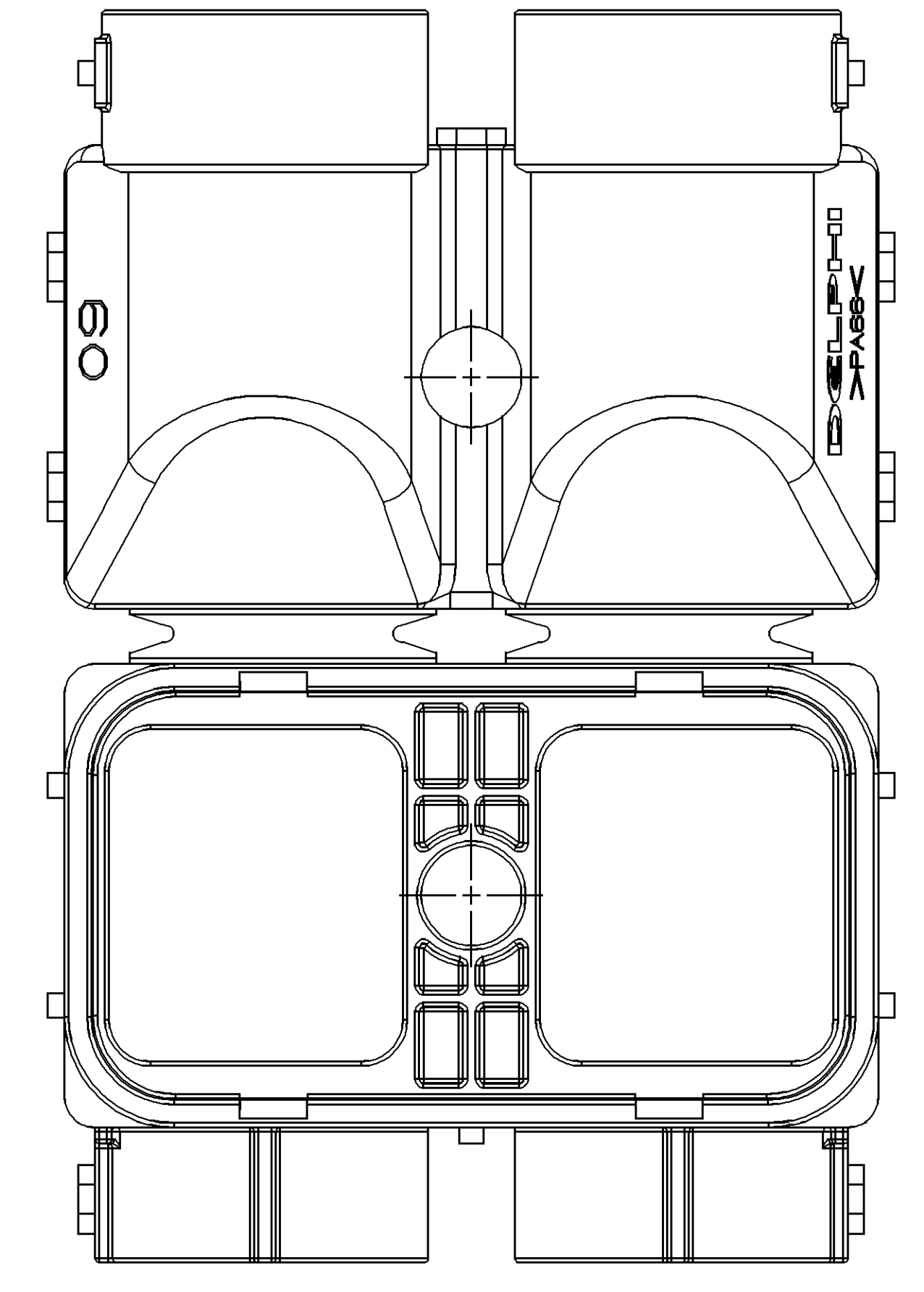
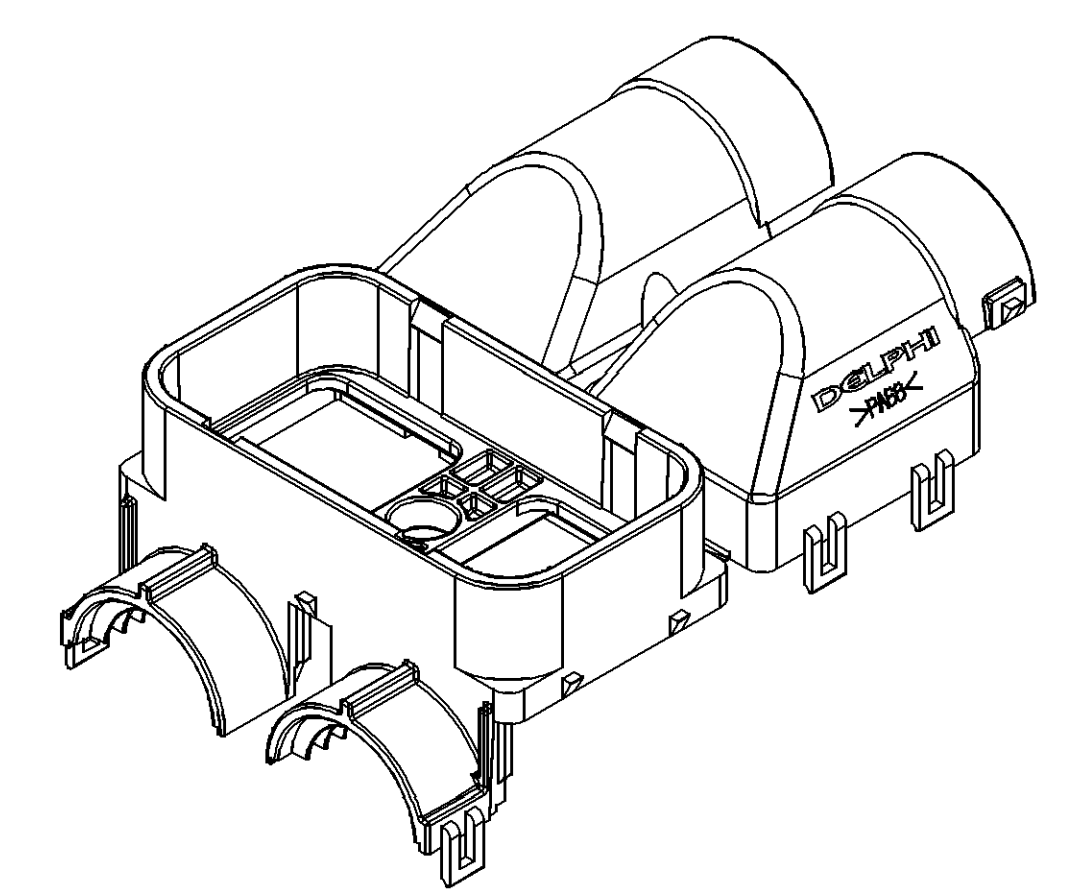
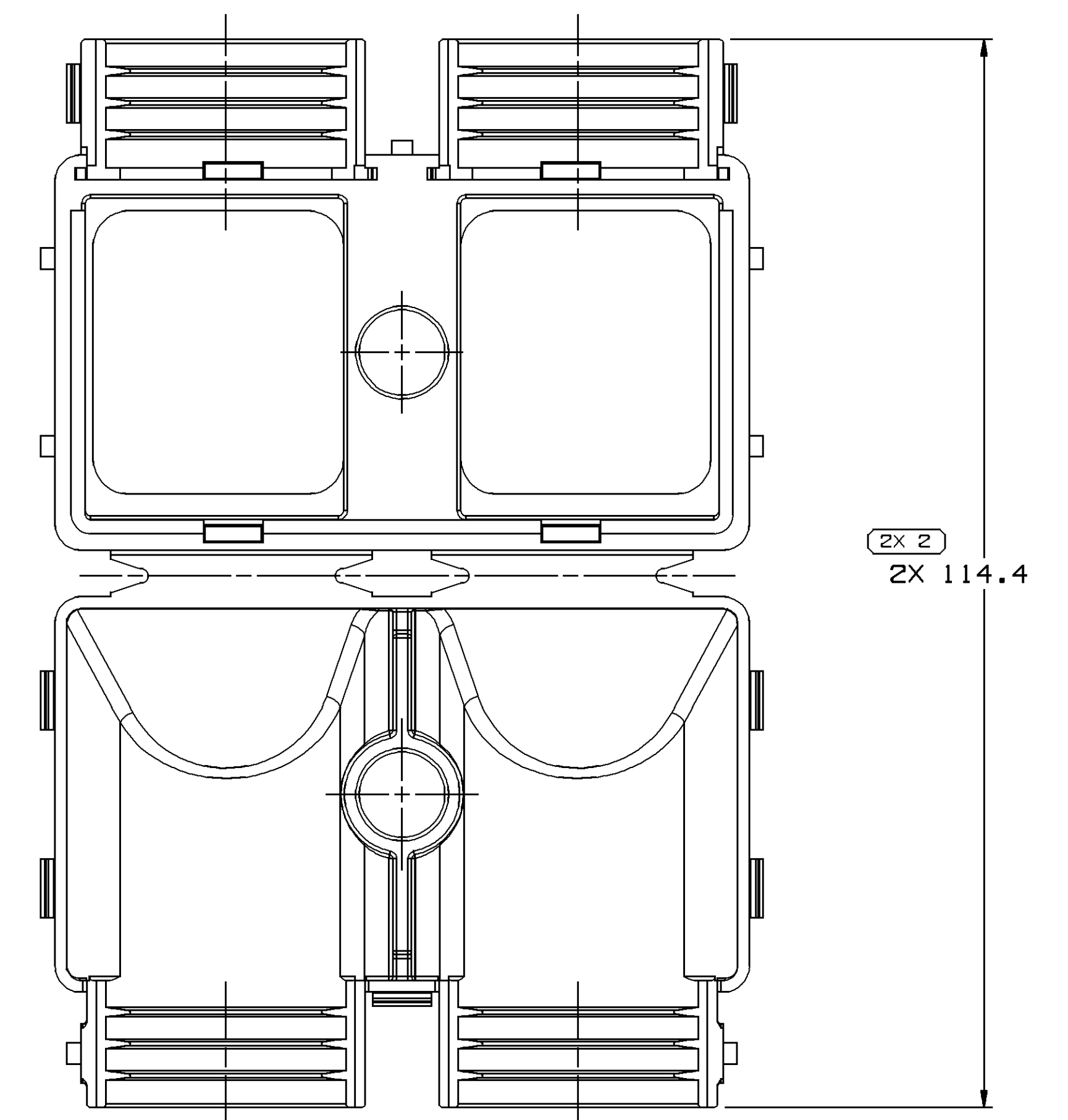
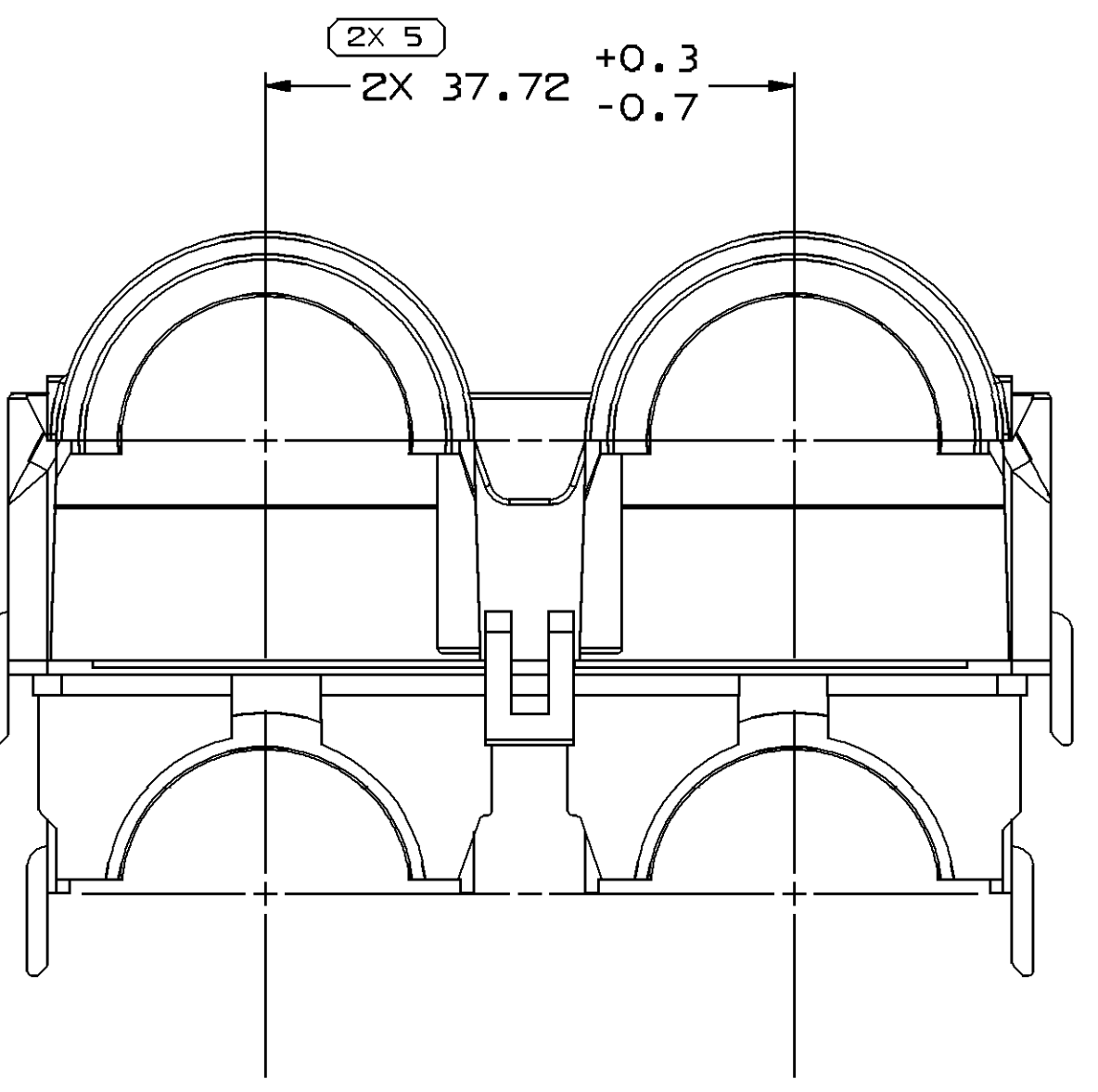
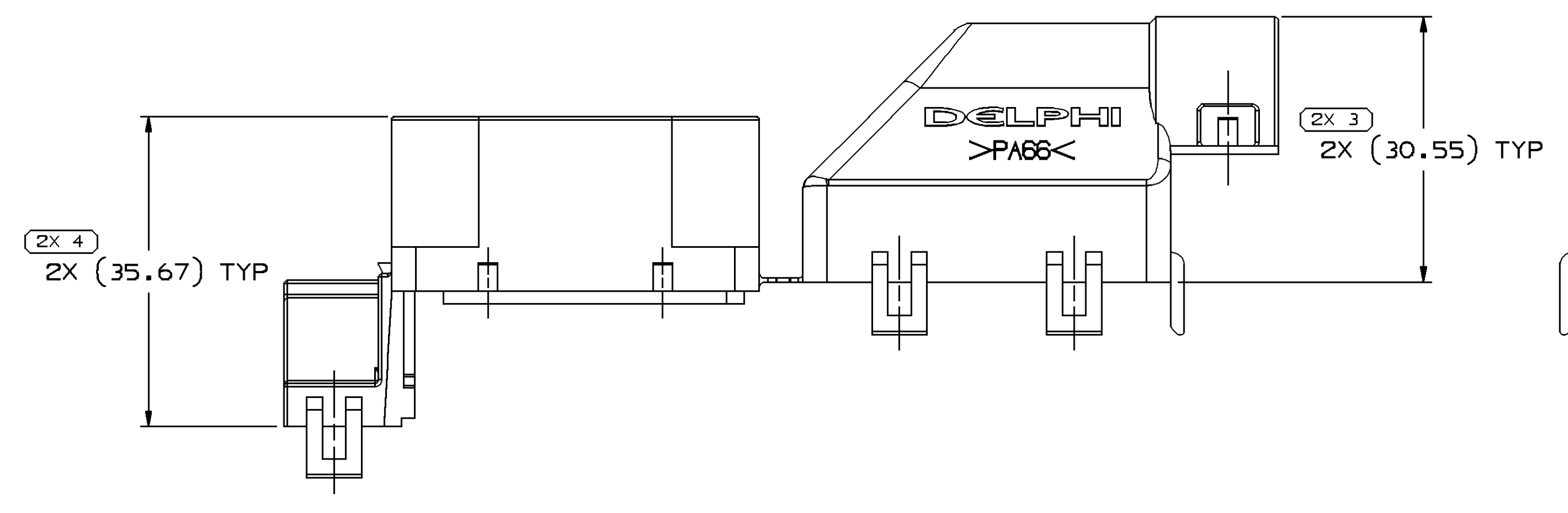
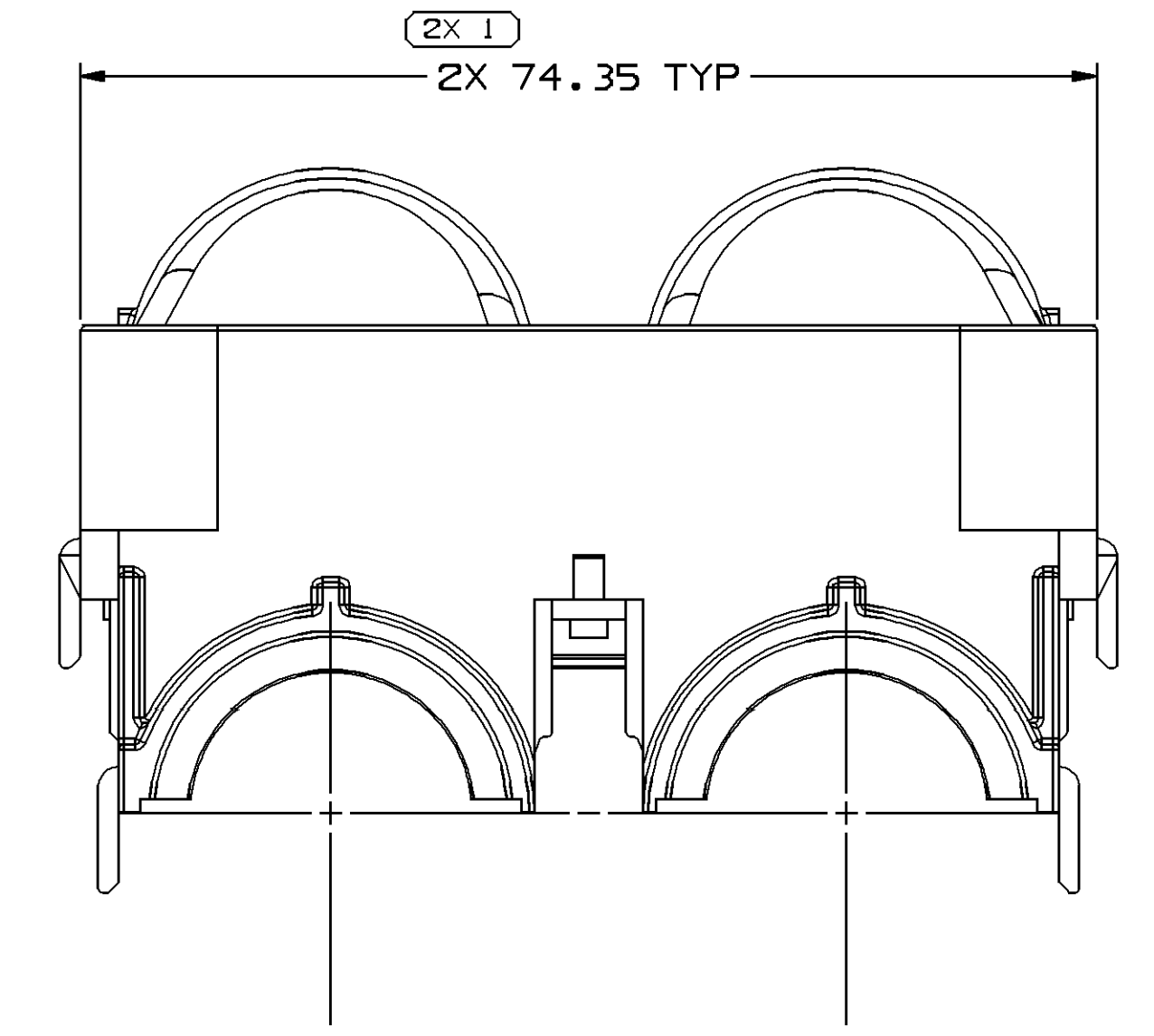
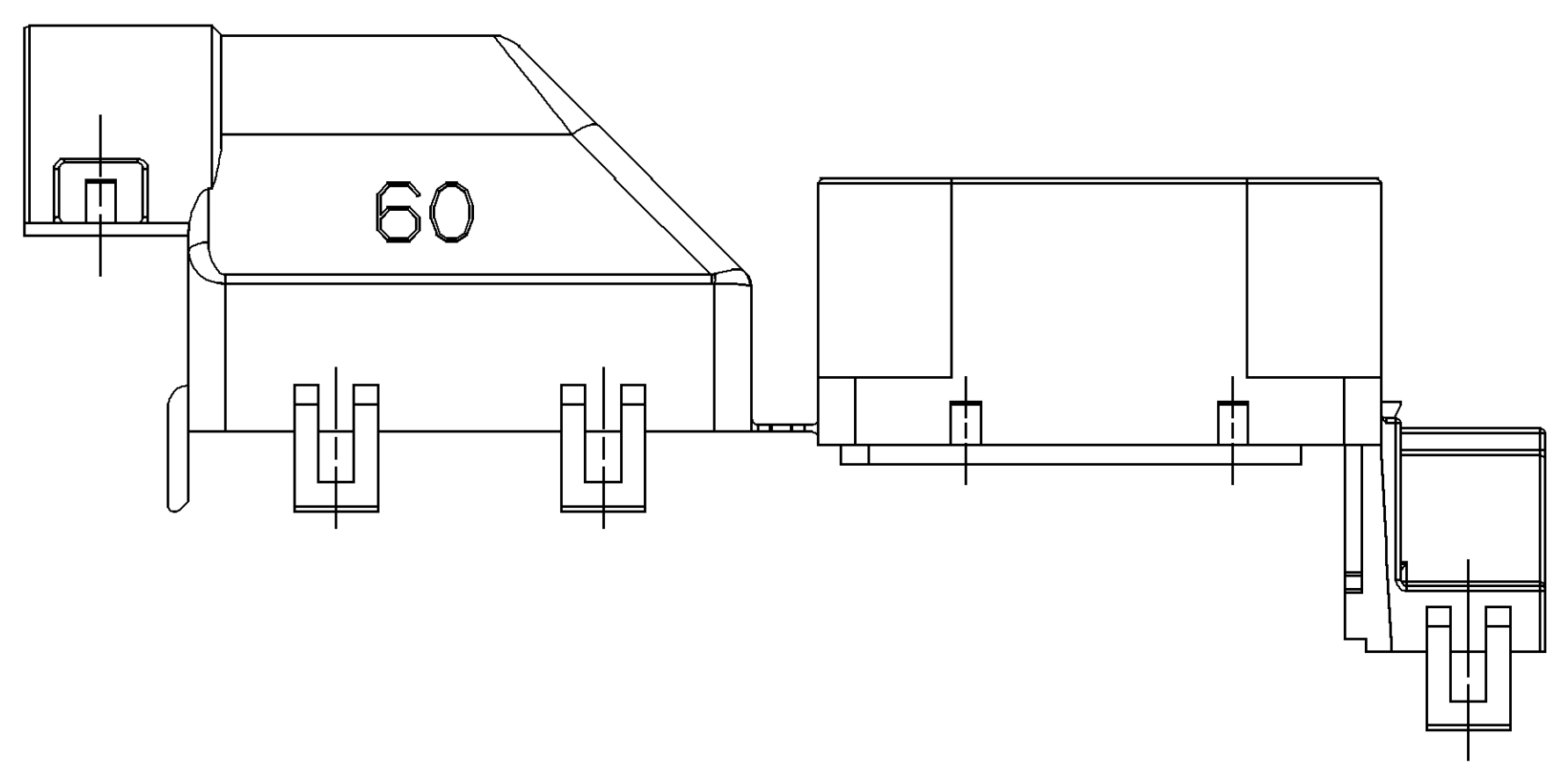


SYMBOL DEFINITION		TOTAL NO OF INSPECTIONS REQUIRED	NO MISSING SYMBOL NUMBER
A DIMENSION WITHOUT AN INSPECTION REPORT SYMBOL DOES NOT REQUIRE INSPECTION. IT MAY BE CONTROLLED ON THE INDIVIDUAL COMPONENT DRAWING.		10	
	LAST NO. USED	5	

DWG STATUS				REVISION HISTORY		AUTH	DR	AP/VD
DATE	STG	REV	N/P	CHG	ZONE			
18AU04	R	01	-	-		WAS PE123271 AND RELEASED	258133	MAC/JC
18JA05	R	02	-	-		REVISED GRAPHICS	263364	ESH/JVM
14FE05	R	03	-	-		DIM 2X 37.72 +0.3/-0.6 WAS 2X 37.72	264410	ECB/AUG
25FE05	R	03	AA	-		UPDATED PDM ATTRIBUTES	265216	AMG/AMG
14AP05	R	03	AB	-		2X 37.72 +0.3/-0.7 WAS 2X 37.72 +0.3/-0.6	266120	RTV/JVM
27JL06	R	03	AC	-		ADDED NOTE 4 TO SHOW MATING COMPONENTS	282987	JTZ/FRG



VIEW ISO  
CLOSED COVER



- NOTES
- UNLESS OTHERWISE SPECIFIED AND/OR INDICATED:  
DIMENSIONS ARE TO FACE OF VIEW SHOWN AND AUTOMATICALLY ROUNDED BY COMPUTER FOR INSPECTION (SEE MATH MODEL FOR PRECISE DIMENSIONS). FOR ALL OTHER DIMENSIONS NOT SHOWN BUT REQUIRED FOR TOOL BUILD, SEE MATH MODEL FOR PRECISE TOOL PATH DATA.
  - MATERIAL RECYCLING CODE PER ISO 11469. (2.3X(0.1) CHARACTERS AS SHOWN TO BE LOCATED ON ANY EXTERIOR SURFACE.
  - (2.3X(0.1) DELPHI CORPORATE BRAND TO BE LOCATED ON ANY EXTERIOR SURFACE, PREFERABLY VISIBLE AT FINAL ASSEMBLY. OPTIONAL CONSTRUCTION TO BE "PED" OR NO LOGO.
  - REFERENCE MATING COMPONENTS OR EQUIVALENT:  
CONNECTORS - SEE DWG 15475163  
CONDUIT - SIZE 19 (2 PLCS)

DWG TYPE PART DRAWING		DATE	
STYLE	DISTR CODE	DR	DATE
VOLUME 10/1 30, 340	D	APV01 M. CHRESTAY	18AU04
UNLESS OTHERWISE SPECIFIED THIS DOCUMENT IS IN ACCORDANCE WITH ASME Y14.5M-1994 AS MODIFIED BY THE M-SCALE DIMENSIONING AND TOLERANCE ADDENDUM-2001. SEPARATE MATING OR REFERENCE PARTS MAY BE BASED SEPARATELY PER RELEASE OF DATUM REFERENCES.		APV02 M. CHRESTAY	18AU04
ALL DIMENSIONS ARE IN MILLIMETERS		APV03 JIM CYKON	20AU04
REFERENCE		APV04	
DIMENSIONS ENCLOSED IN ( ) INDICATE REFERENCE DIMENSIONS AND NO TOLERANCE LIMITS ARE ESTABLISHED		APV05	
THIRD ANGLE PROJECTION		SUBSTANCES OF CONCERN AND RECYCLED CONTENT PER DELPHI 10947001	
DO NOT SCALE		MATERIAL M3592001 PA66 HS 1M BLK	
USE MATH DATA		DRAWING NAME COV WIRE DRESS BLK	
DIMENSIONAL RANGE (MM)		DRAWING NUMBER 15475969	
FROM	TO	SCALE	FRAME NO
> 0	> 300	2:1	1 OF 1
> 0	> 20		
> 20	> 30		
> 30	> 70		
> 70	> 100		
> 100	> 150		
> 150	> 200		
> 200	> 250		
> 250	> 300		
> 300	> 400		
TOLERANCE UNLESS OTHERWISE SPECIFIED		SHEET NO	
±0.15 ±0.2 ±0.3 ±0.4 ±0.5 ±0.6 ±0.8 ±1 ±1.2		1 OF 1	
ANGULAR TOLERANCE 20'		REV	
		R 03 AC	

**DELPHI**  
DELPHI PACKARD ELECTRIC SYSTEMS  
WYREN, OH

DR	DATE
APV01 M. CHRESTAY	18AU04
APV02 M. CHRESTAY	18AU04
APV03 JIM CYKON	20AU04
APV04	
APV05	
SUBSTANCES OF CONCERN AND RECYCLED CONTENT PER DELPHI 10947001	
MATERIAL M3592001 PA66 HS 1M BLK	
DRAWING NAME COV WIRE DRESS BLK	
DRAWING NUMBER 15475969	
SCALE	FRAME NO
2:1	1 OF 1
SHEET NO	REV
1 OF 1	R 03 AC