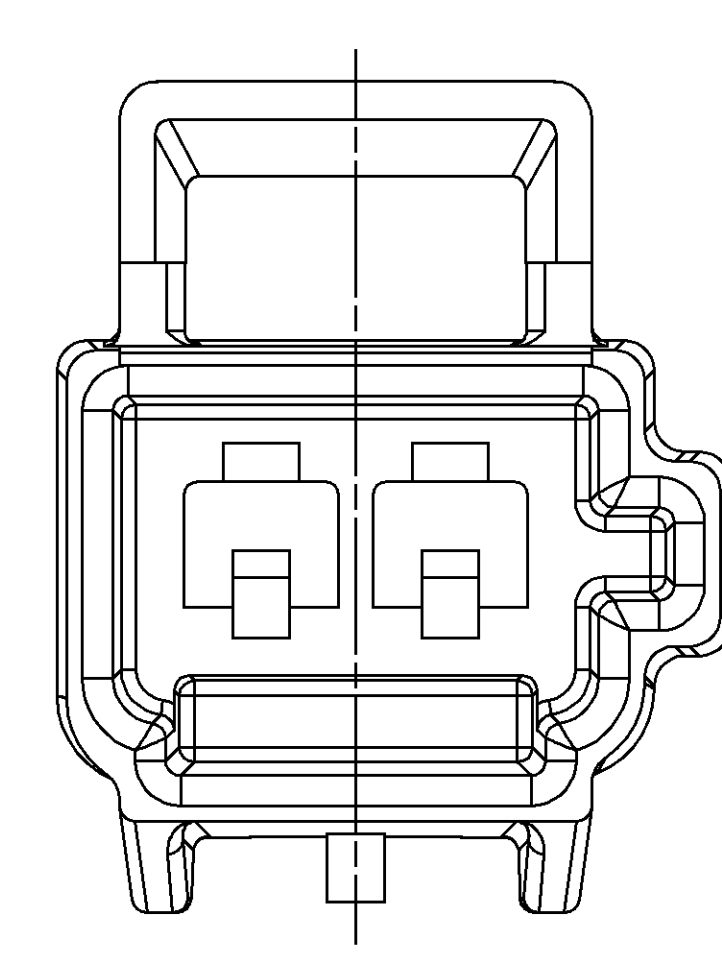
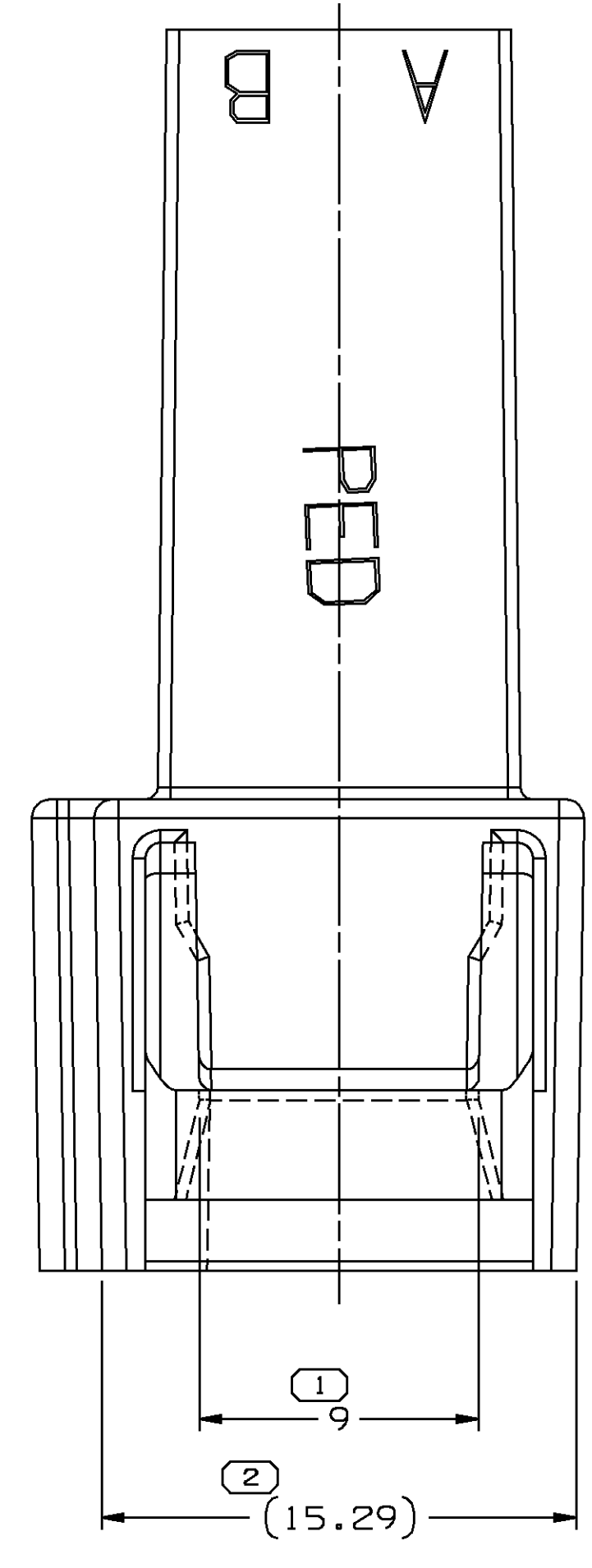
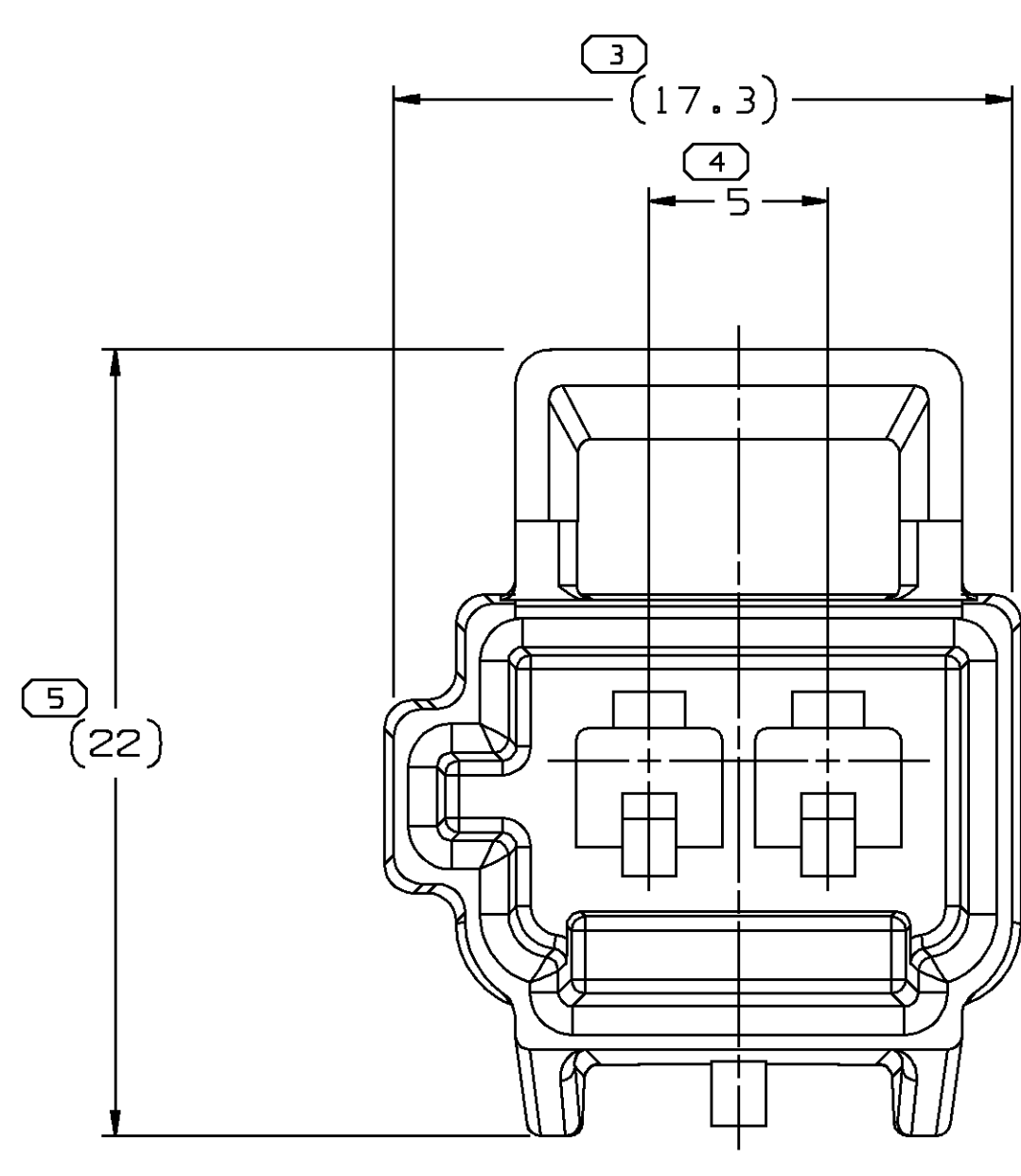


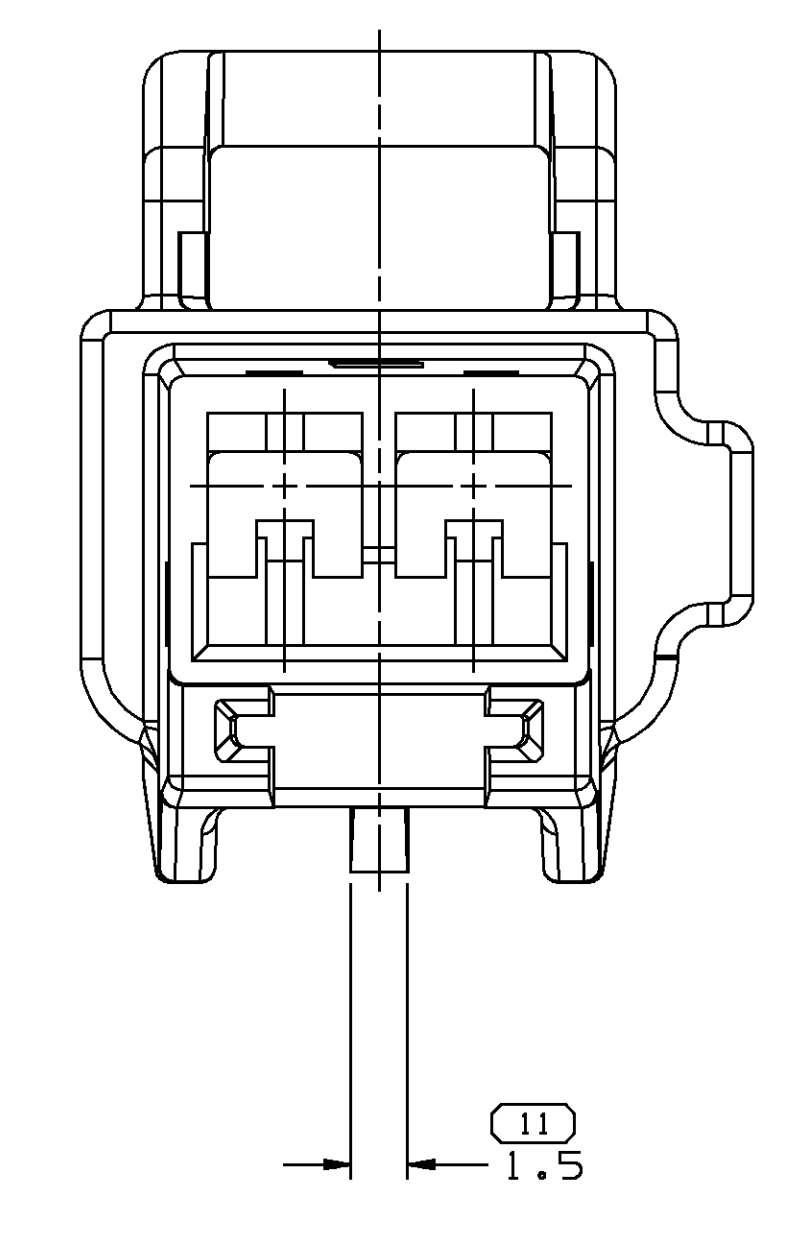
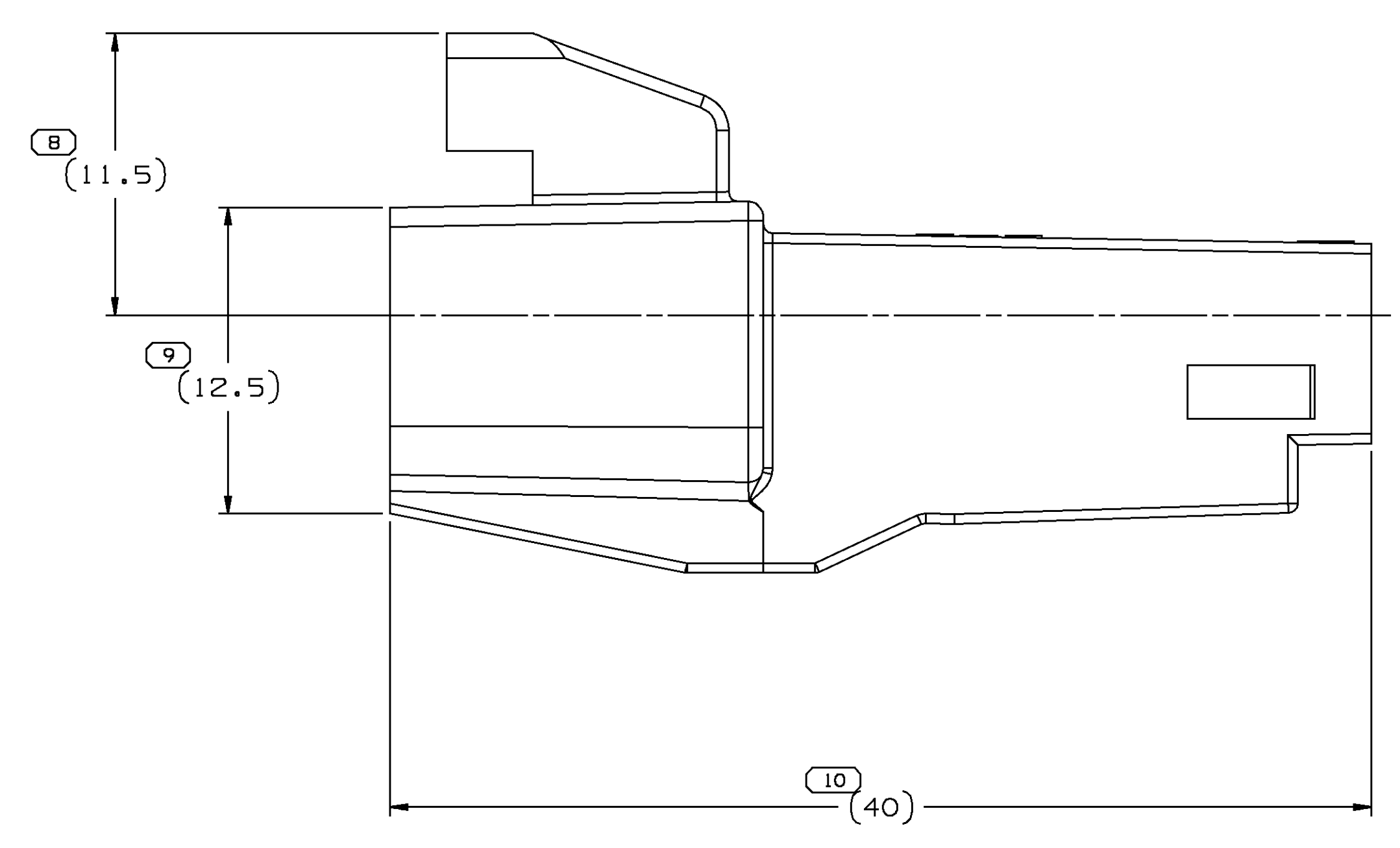
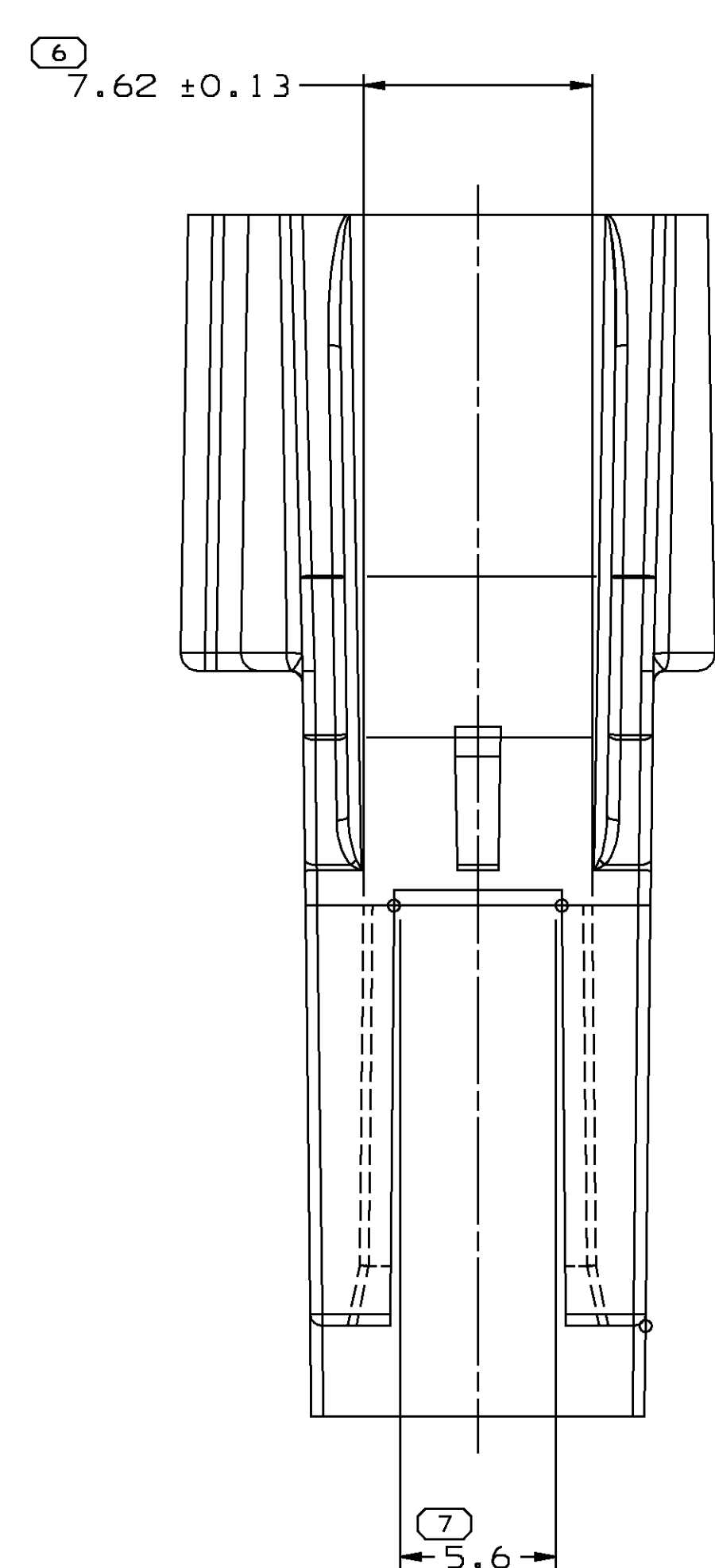
SYMBOL DEFINITION		MISSING NUMBERS		DATE	SYM	REVISION RECORD	AUTH	DR	CK
THE NUMBER INSIDE THE SYMBOL CORRESPONDS TO THE NUMBER ON THE INSPECTION REPORT FOR THIS DRAWING/PART NUMBER	TOTAL NO. OF SYMBOLS ON DRAWING	11		12JA99		ALL PARTS - WERE "C"			
	LAST NO. USED	11				SIZE SEPARATE DWGS & REDRAWN TO PD - REV LEVELS ADVANCED			990009JTCJHY



TYPE II  
SAME AS TYPE I EXCEPT AS SHOWN



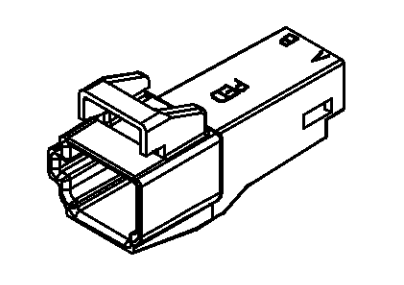
TYPE I



PART NO  
1212 9154

PART NO  
1212 9154

- NOTES
- UNLESS OTHERWISE SPECIFIED AND/OR INDICATED: DIMENSIONS ARE TO FACE OF VIEW SHOWN AND AUTOMATICALLY ROUNDED BY COMPUTER FOR INSPECTION. (SEE MATH MODEL FOR PRECISE DIMENSIONS.) FOR ALL OTHER DIMENSIONS NOT SHOWN BUT REQUIRED FOR TOOL BUILD, SEE MATH MODEL FOR PRECISE TOOL PATH DATA.
  - MATING COMPONENTS OR EQUIVALENT: CONNECTOR SEE CHART TERMINAL 12034047 MAX INSULATION CRIMP MUST BE LESS THAN 3.6 HIGH AND 4 WIDE. SECONDARY TERMINAL LOCK 12129157 MAX CABLE O.D. 3.4 CONNECTOR POSITION ASSURANCE LOCK 12052834
  - SEALING CODE 0 - UNSEALED
  - THIS PART IS NOT CONTROLLED FOR AUTOMATIC FEEDING.



PART DRAWING

THIRD ANGLE PROJECTION

Ugraphics

CODE NO 6900 GC -C-4319

DWG DATE 16JA91

SCALE 5:1

REFERENCE NO 001,701

DR JACOB TREJO 12JA99

CK JOSE HUERTA 13JA99

APPR

VOL CM<sup>3</sup> 3.235

MATERIAL SPEC

SEE CHART

NAME TAXI CONN 2M M/P 280

PART NUMBER 1212 9154

SIZE AO

XXXX

PART NO	REV	STATUS	MATERIAL SPECIFICATION AND COLOR	TYPE	MATING CONNECTOR
12129156	DI		RO071784 PA66 HS IM-GR4 MD	II	12129082
12129155	CI		RO071754 PA66 HS IM-BLK	I	12129081

THE DIMENSION NUMBERS SHOWN BELOW INDICATE DIMENSIONS THAT ARE SENSITIVE FOR PART PRODUCTION					
(1)	(2)				
DIMENSIONS ENCLOSED IN ( ) INDICATE REFERENCE DIMENSIONS AND NO TOLERANCE LIMITS ARE ESTABLISHED					
DIMENSIONAL RANGE					
FROM	0	> 20	> 30	> 70	> 100
TO	20	30	70	100	
TOLERANCE UNLESS OTHERWISE SPECIFIED:					
(0.15) ± 0.2	± 0.3	± 0.4	± 0.5		
ANGULAR TOLERANCE ± 2°					