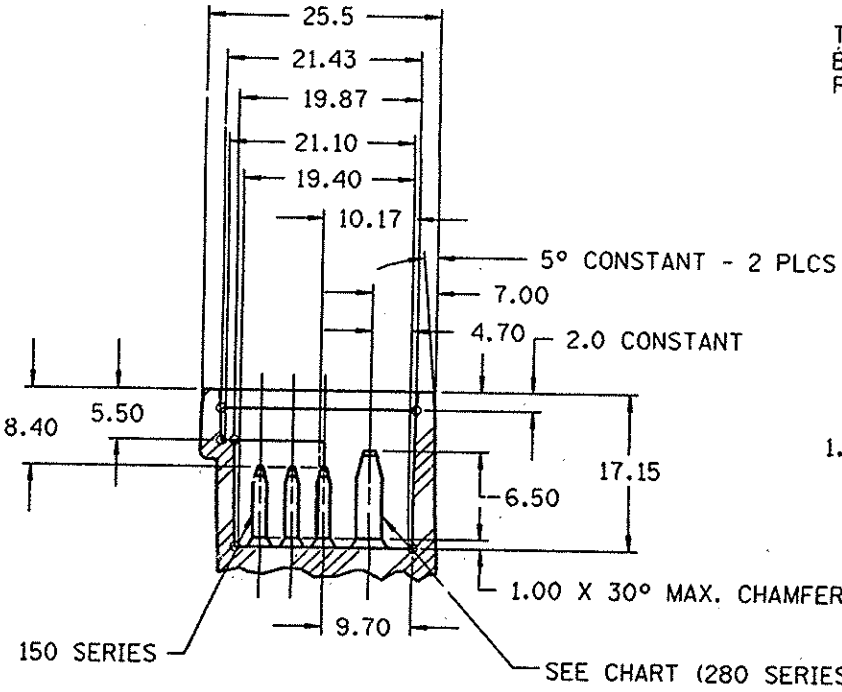
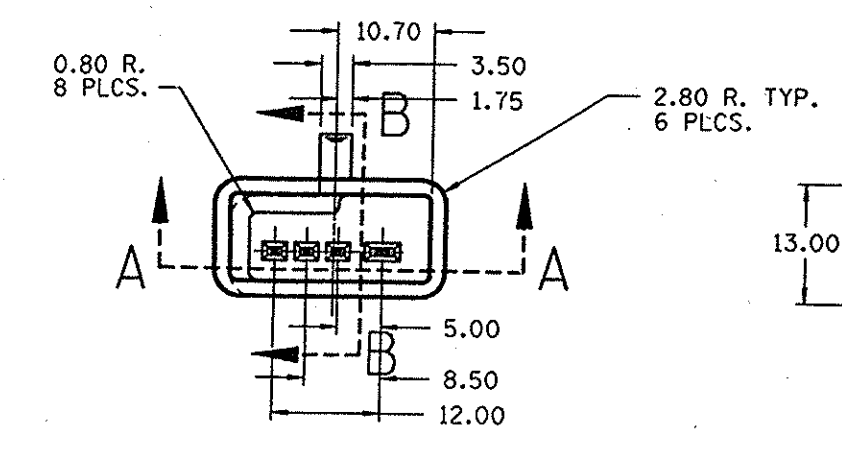


THIS DRAWING AND DESIGN HEREON CONSTITUTES A PROPRIETARY DESIGN OF PACKARD ELECTRIC DIVISION AND IS NOT TO BE DUPLICATED OR REPRODUCED WITHOUT AUTHORITY OF PACKARD ELECTRIC DIVISION.

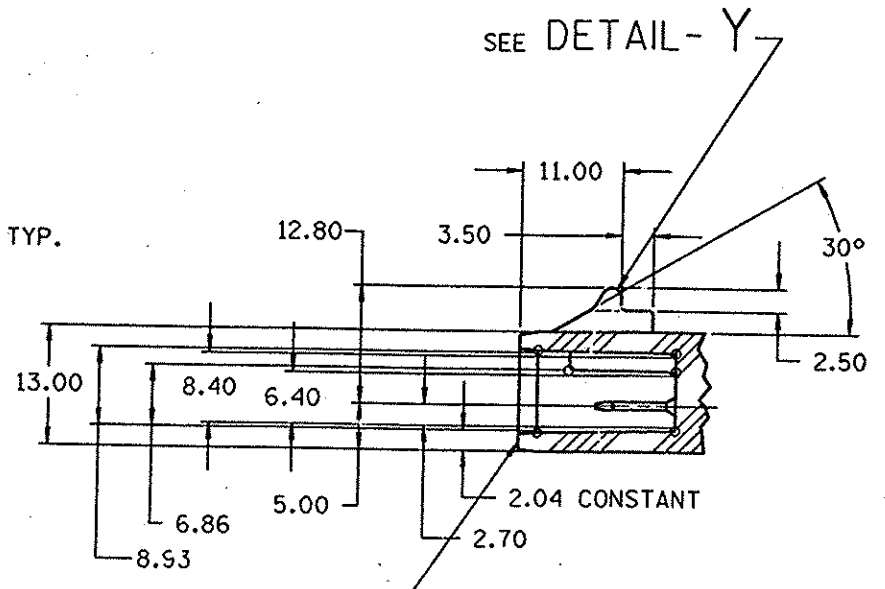
DO NOT SCALE

PART NO. 1212 4368

PART NO. 1212 4368



SECTION A-A

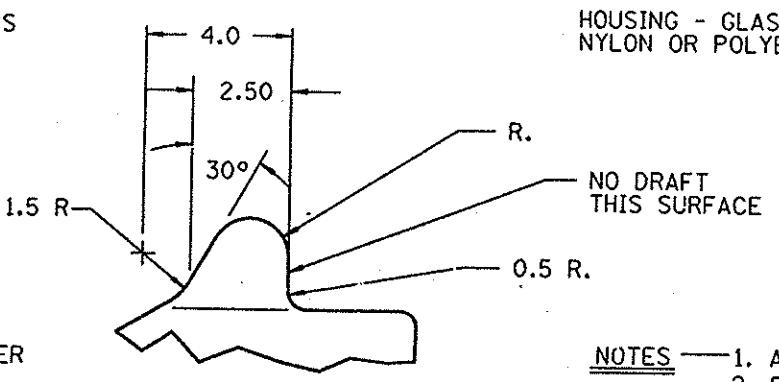


SECTION B-B

THIS SURFACE MUST BE FREE OF DEFECTS FOR SEALING.

RECOMMENDED MATERIALS:
 TERMINAL-CA210-EXTRA SPRING TEMPER-TIN PLATED (0.003 MM-0.005 MM)
 TENSILE STRENGTH :428-483 MP.
 USE OF MATERIAL WITH CONDUCTIVITY <20% IACS AT 68° F SHOULD BE APPROVED BY PACKARD ELECTRIC.

HOUSING - GLASS REINFORCED NYLON OR POLYESTER.



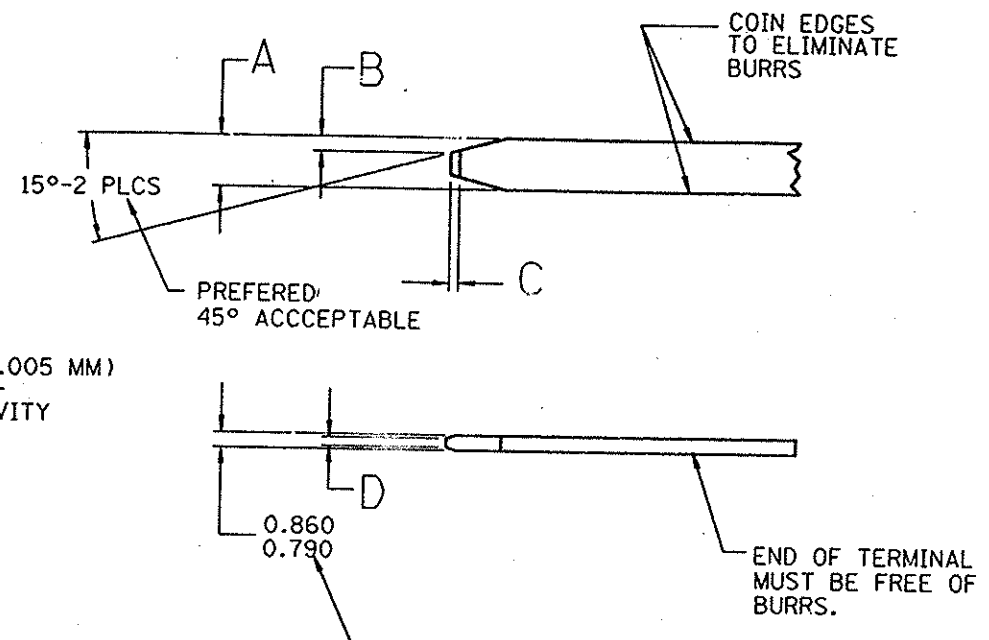
DETAIL-Y

SCALE 8:1

MATING CONNECTOR INFORMATION

- NOTES
1. ALL RADII 0.40 UNLESS OTHERWISE SPECIFIED.
 2. DIMENSIONS ARE TO FACE OF VIEW SHOWN UNLESS OTHERWISE SPECIFIED.
 3. 1° DRAFT ON ALL OUTSIDE SURFACES UNLESS OTHERWISE SPECIFIED.

SERIES	A ±0.10	B	C	D	MAX COIN
150	1.50	0.6/0.4	1.00	0.56	
280	2.80	0.5/1.1	0.50	0.50	

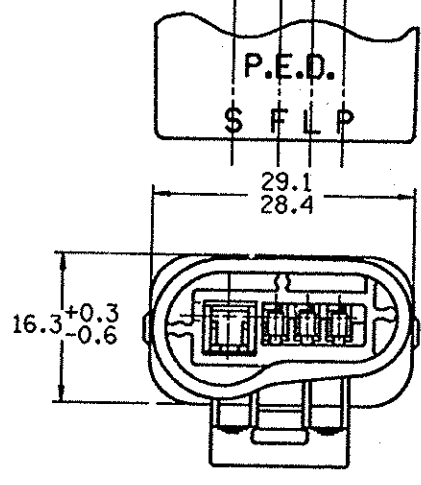
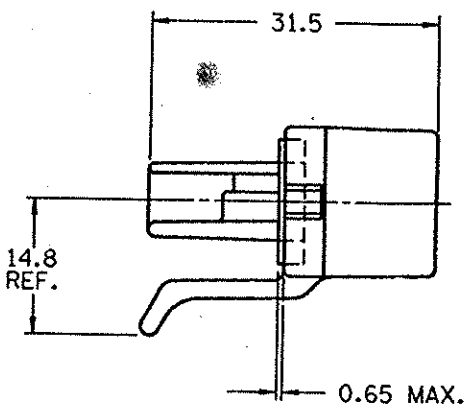
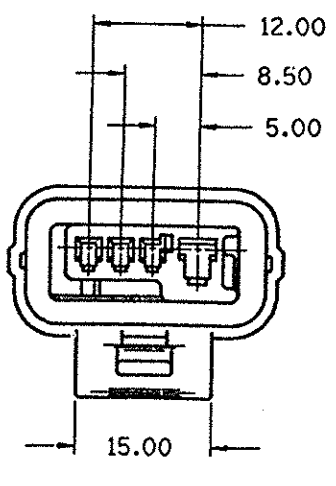


THIS BLADE THICKNESS MUST BE MAINTAINED FOR A MINIMUM OF 7.30 MM FOR THE 150 SERIES AND A MINIMUM OF 9.20 MM FOR THE 280 SERIES FROM THE COINED END.

END OF TERMINAL MUST BE FREE OF BURRS.

COIN EDGES TO ELIMINATE BURRS

PACKARD ELECTRIC DIVISION
 GENERAL MOTORS CORPORATION
 WARREN, OHIO



- NOTES
1. CAVITY "S" TO ACCEPT 12015858 TERMINAL OR EQUIVALENT.
 2. CAVITIES "F" "L" & "P" TO ACCEPT 12047767 TERMINAL OR EQUIVALENT.
 3. CONNECTOR TO ACCEPT 12045897 SECONDARY LOCK OR EQUIVALENT.
 4. CONNECTOR TO ACCEPT 12045893 CABLE SEAL EQUIVALENT.
 5. SEALING CODE 0.

WARNING
 GEOMETRY MAY NOT BE DRAWN TO SCALE

P.E.D./INTEGRAL		FILE SPEC: 911674 2002/0116-14/4368 88-MAY-1995 1349
THIRD ANGLE PROJECTION		
METRIC		
DIMENSIONS ARE IN MILLIMETERS UNLESS OTHERWISE SPECIFIED.		
CODE NO. 6900	TOLERANCE UNLESS OTHERWISE SPECIFIED	
	DECIMAL	ANGULAR ±2°
	ONE PLACE ± 0.3	
	TWO PLACE ± 0.15	
DWG. DATE 22N091	SCALE NONE	DR. BRIAN MADISON 22N091
EST. NO.	CK. BRIAN MADISON	DATE 22N091
REFERENCE NO.	APPR.	DATE
	APPR.	DATE
MATERIAL SPEC. SEE DRAWING		
NAME ASM CONN 4F M/P MXD		
PART NO. 1212 4368	SIZE D	

ASSEMBLY P/N	REV	STATUS	CONN	GASKET	REPLACED BY
12129068	A	OBSELETE	12045895	12110277	12124898
12124898	A		12045895	12124897	
12045896	B	OBSELETE	12045895	12045894	12129068