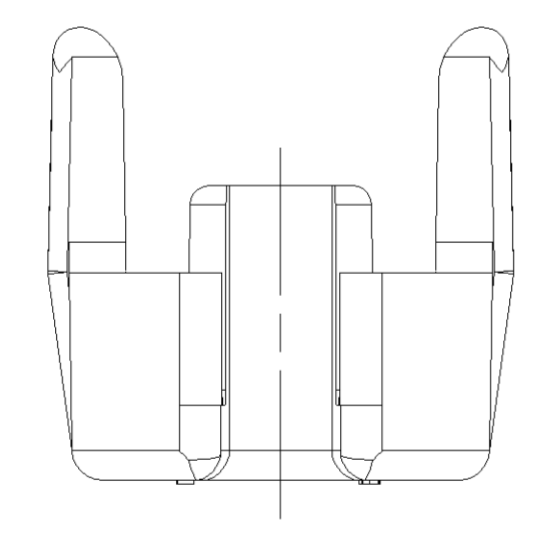
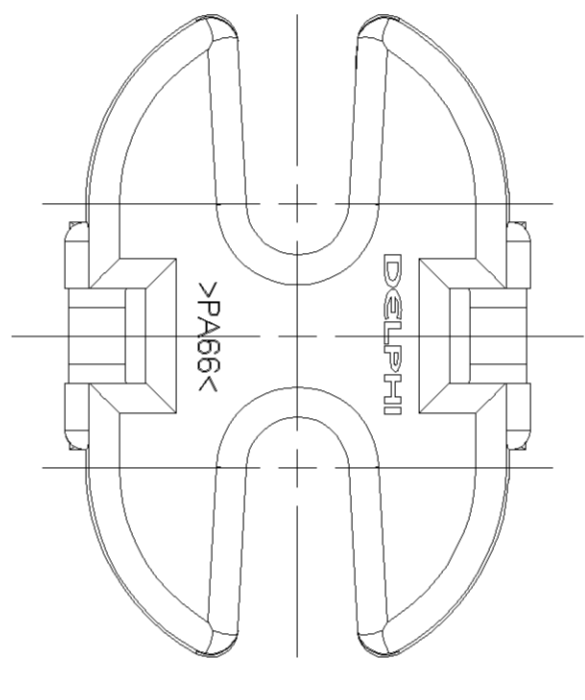
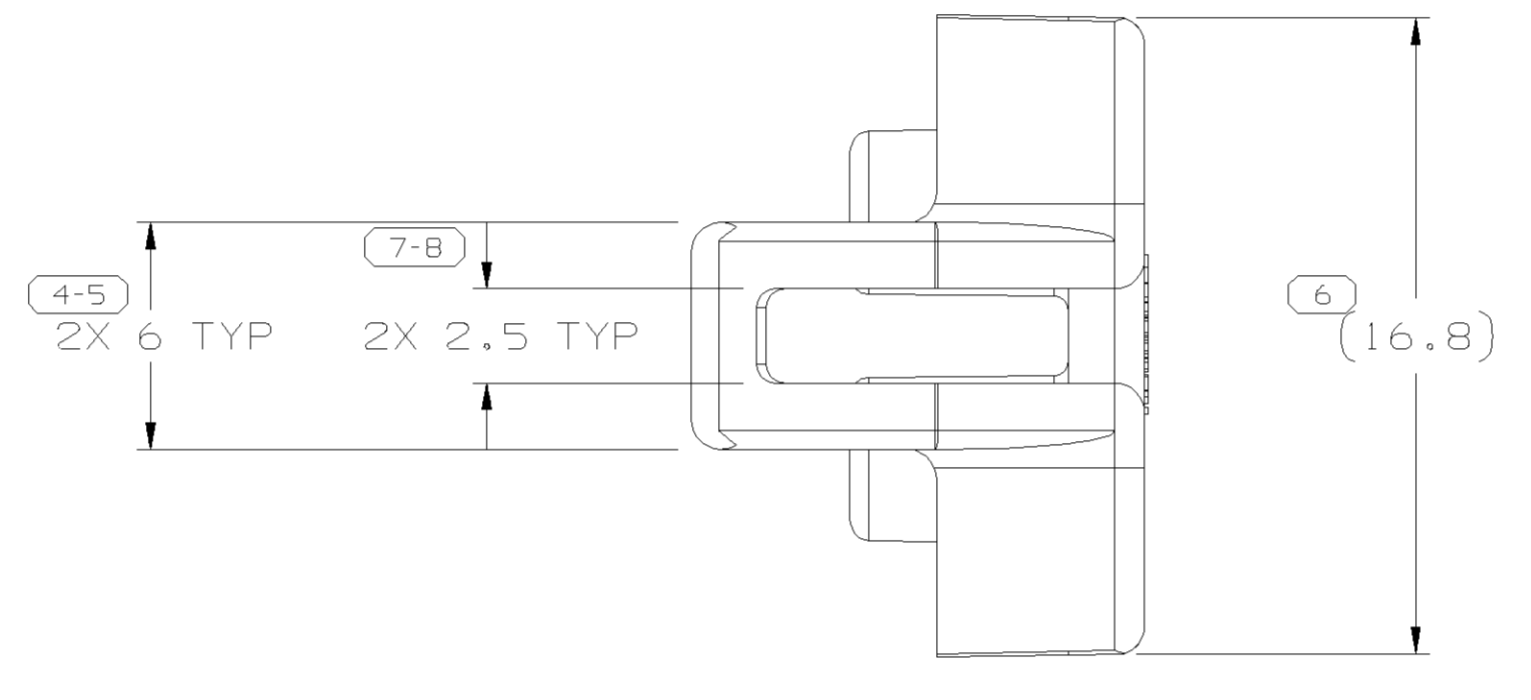
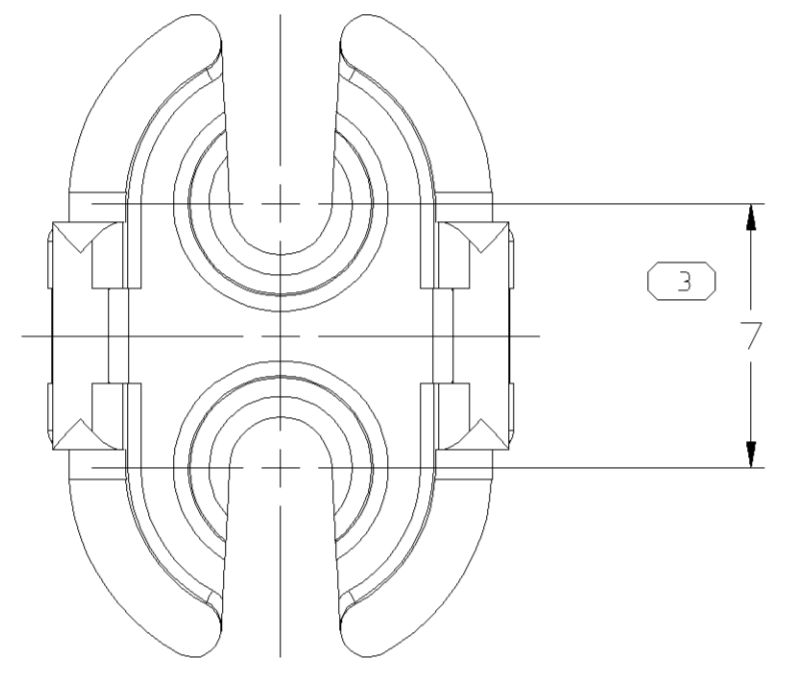
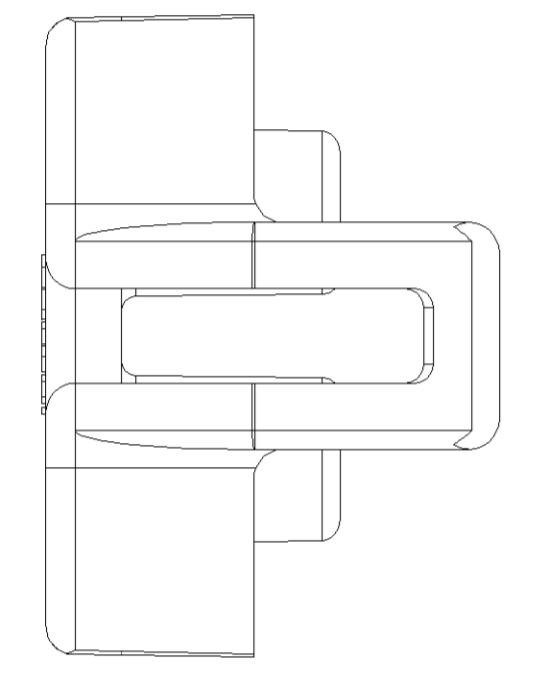
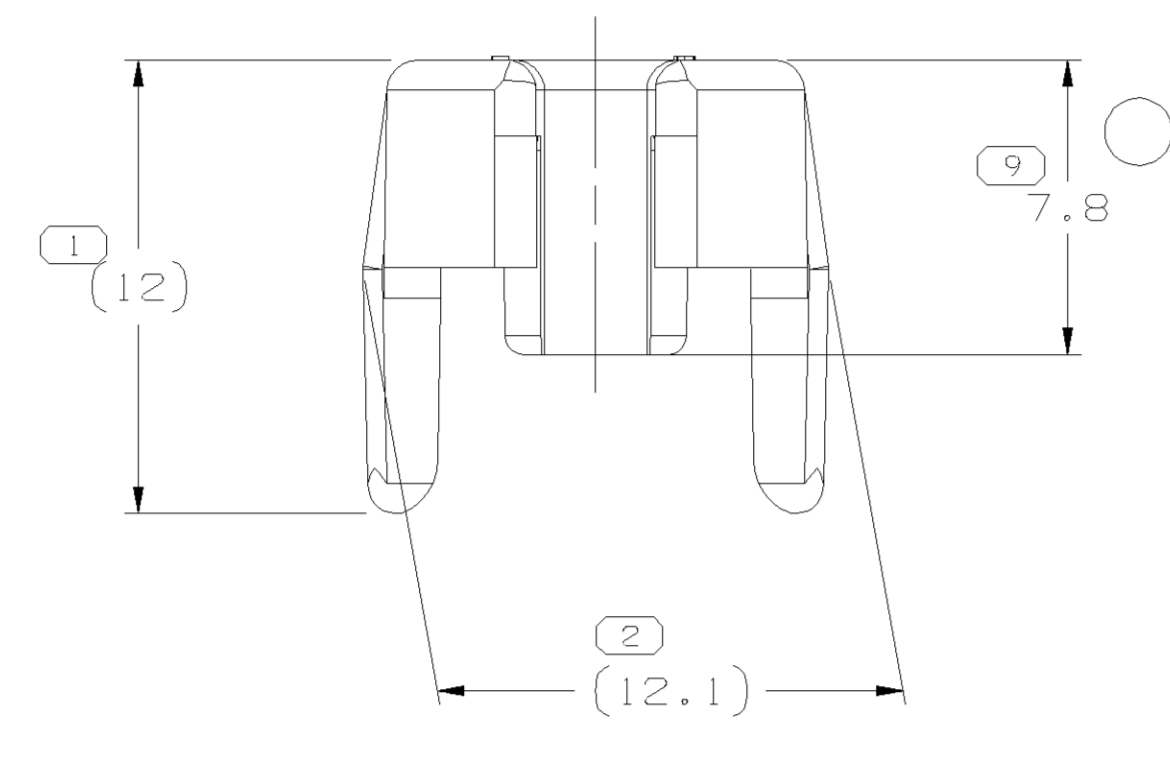
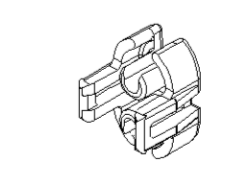


SYMBOL DEFINITION		MISSING NUMBERS		DWO STATUS		ZONE		REVISION HISTORY		AUTH	DR	APVD	APVD
DATE	STG	REV	N/P	CHG									
13MR03	R	A6	-	-				CLEARED REV COL, ADDED NOTES AND REVISED MAT'L SPEC	238050	LEG	APVD1	JMC	
18JN03	R	A7	-	-				UPDATED PDM ATTRIBUTES	242654	JYD	JYD	JMC	
14JL03	R	AB	-	-				ADDED DIM 7.8	243448	JYD	JYD	JMC	



NOTES

- UNLESS OTHERWISE SPECIFIED AND/OR INDICATED: DIMENSIONS ARE TO FACE OF VIEW SHOWN AND AUTOMATICALLY ROUNDED BY COMPUTER FOR INSPECTION (SEE MATH MODEL FOR PRECISE DIMENSIONS). FOR ALL OTHER DIMENSIONS NOT SHOWN BUT REQUIRED FOR TOOL BUILD, SEE MATH MODEL FOR PRECISE TOOL PATH DATA.
- MATERIAL RECYCLING CODE >PA66< PER SAE J1344. (2.3)X(0.1) RAISED CHARACTERS AS SHOWN TO BE LOCATED ON ANY EXTERIOR SURFACE. OPTIONAL CONSTRUCTION TO BE NO MATERIAL RECYCLING CODE.
- MATING COMPONENTS OR EQUIVALENT: CONNECTOR 12124823 MAX CABLE O.D. MUST BE LESS THAN 2.43
- (2.3)X(0.1) RAISED DELPHI CORPORATE BRAND TO BE LOCATED ON ANY EXTERIOR SURFACE, PREFERABLY VISIBLE AT FINAL ASSEMBLY. OPTIONAL CONSTRUCTION TO BE "PED" OR NO LOGO.



SHARP CORNER TOLERANCE		PROCESS SENSITIVE DIMENSION				THIRD ANGLE PROJECTION		DO NOT SCALE	

DELPHI
DELPHI PACKARD ELECTRIC SYSTEMS
WARREN, OH

DR	DATE
APVD1 K. MONTERO	25AU94
APVD2 M. VEGA	29AU94
APVD3 M. VEGA	29AU94
APVD4	
APVD5	

UNLESS OTHERWISE SPECIFIED
THIS DOCUMENT IS IN ACCORDANCE WITH ASME Y14.5M-1994
AS AMENDED BY THE DIMENSIONAL DIMENSIONING AND
TOLERANCING ADDENDUM-2001. SEPARATE PATTERNING OF
FEATURES MAY BE ORDERED SEPARATELY REGARDLESS OF DATUM
REFERENCES.

ALL DIMENSIONS ARE IN MILLIMETERS

DRAWING NAME
LOCK TPA M/P 150 2 BLK

DRAWING NUMBER
12124824

SIZE	SCALE	FRAME NO	SHEET NO	STG	REV	N/P
A0	5:1	1	1	1	1	1