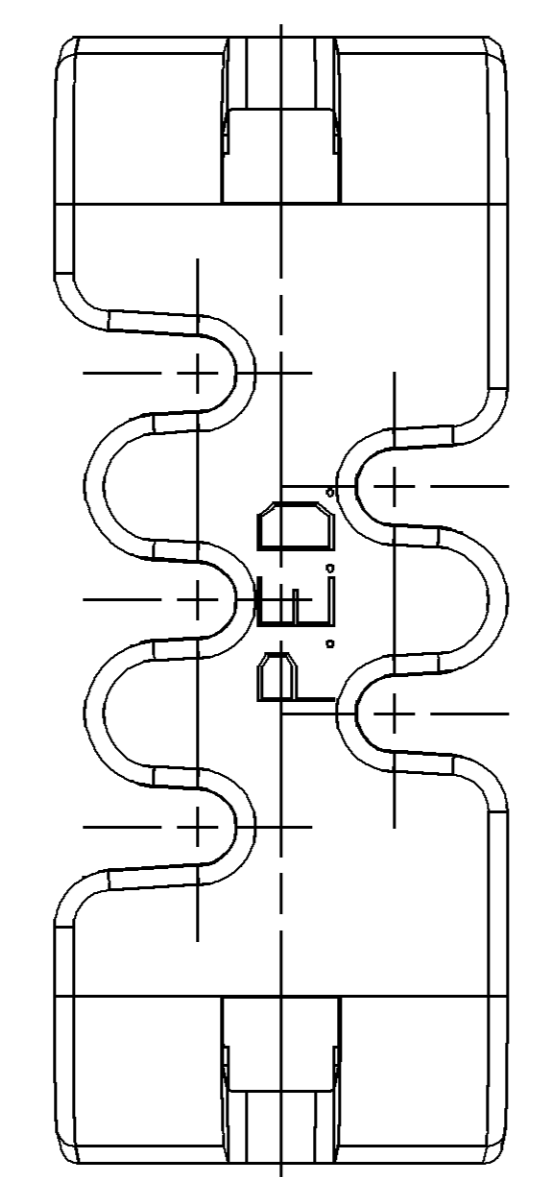
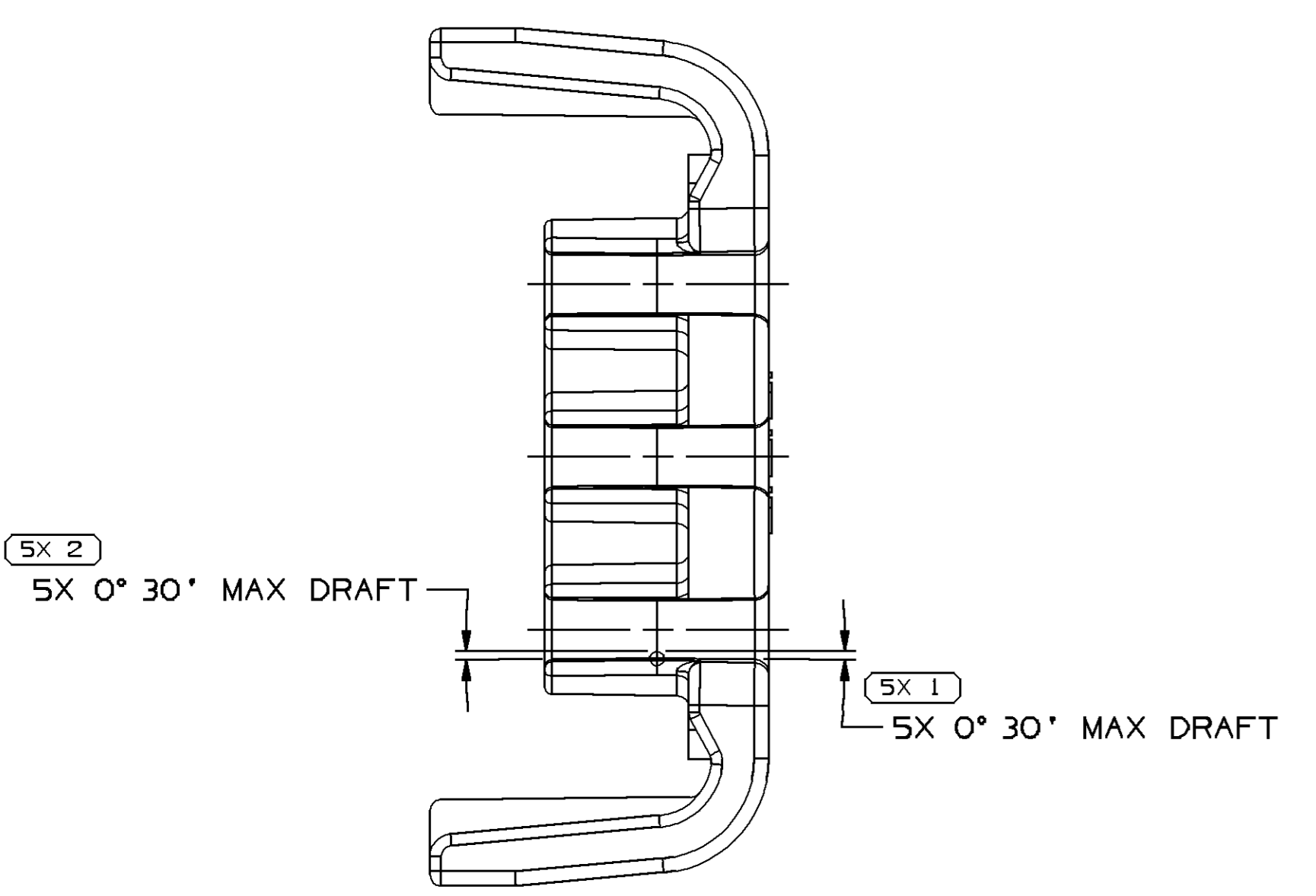
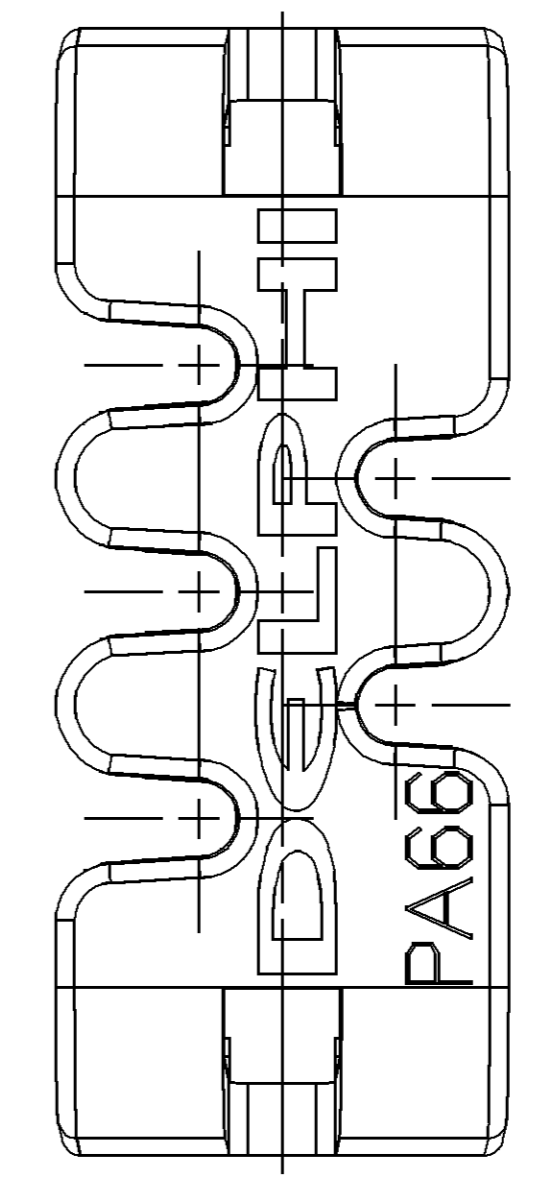
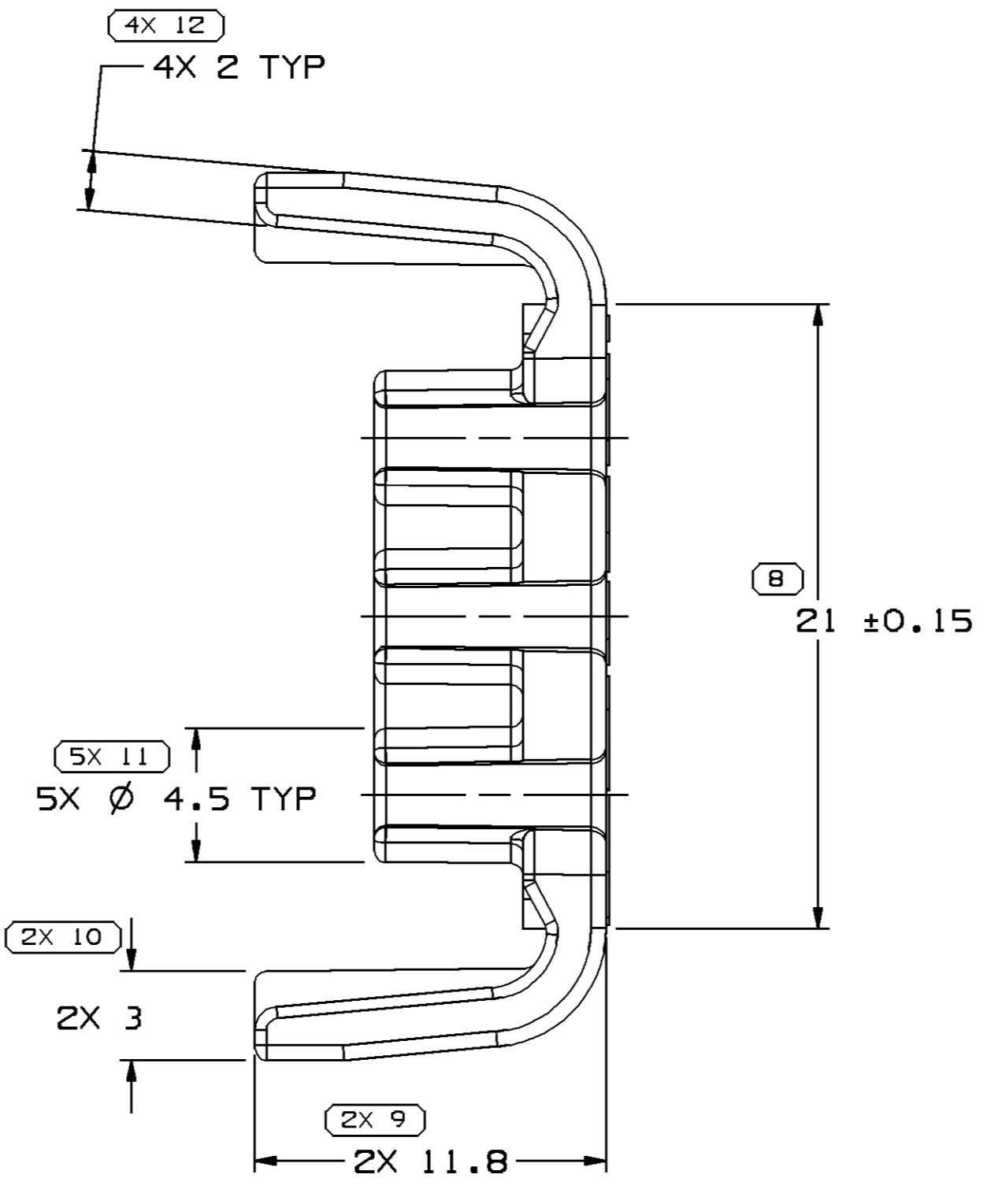
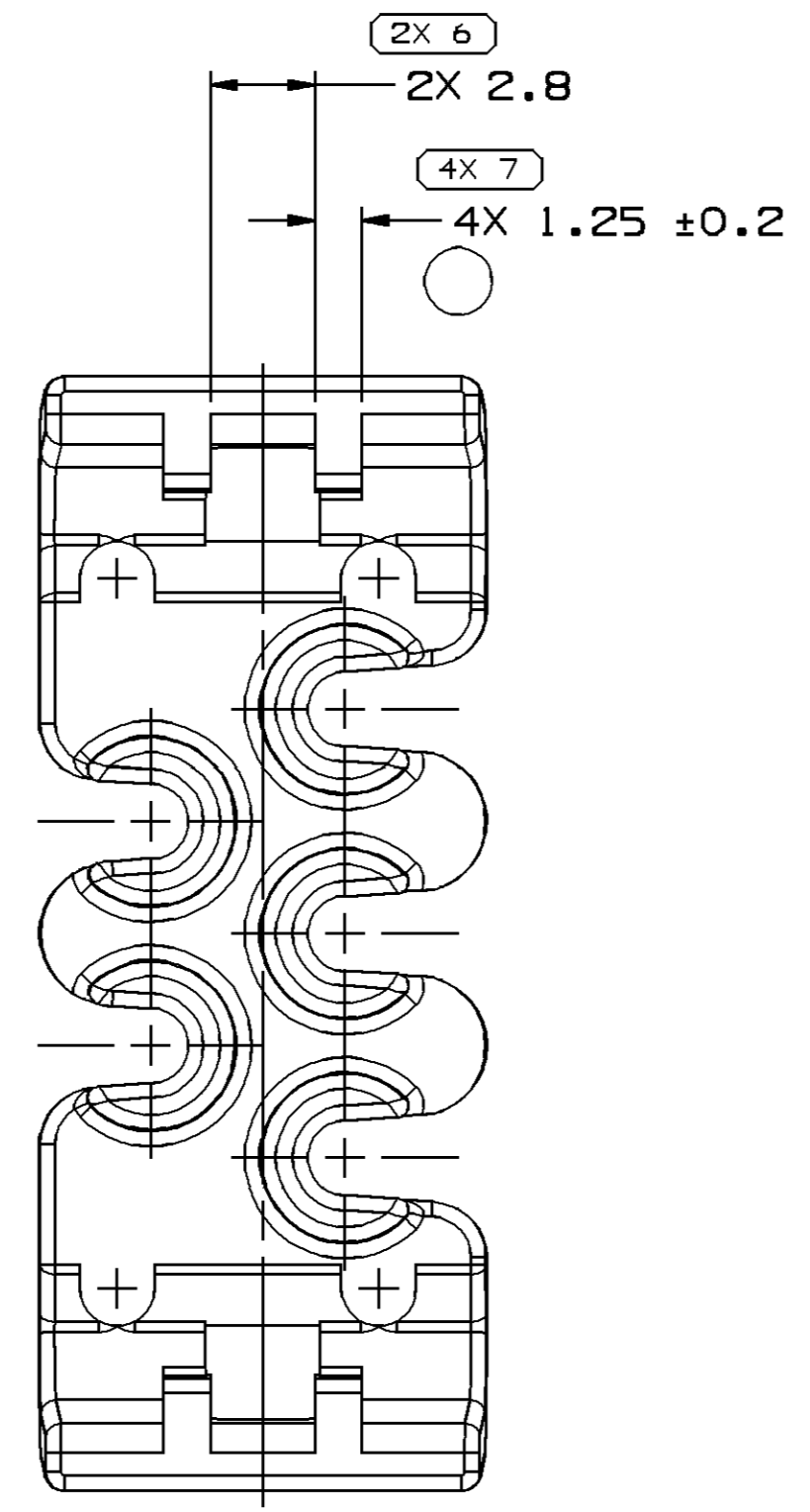
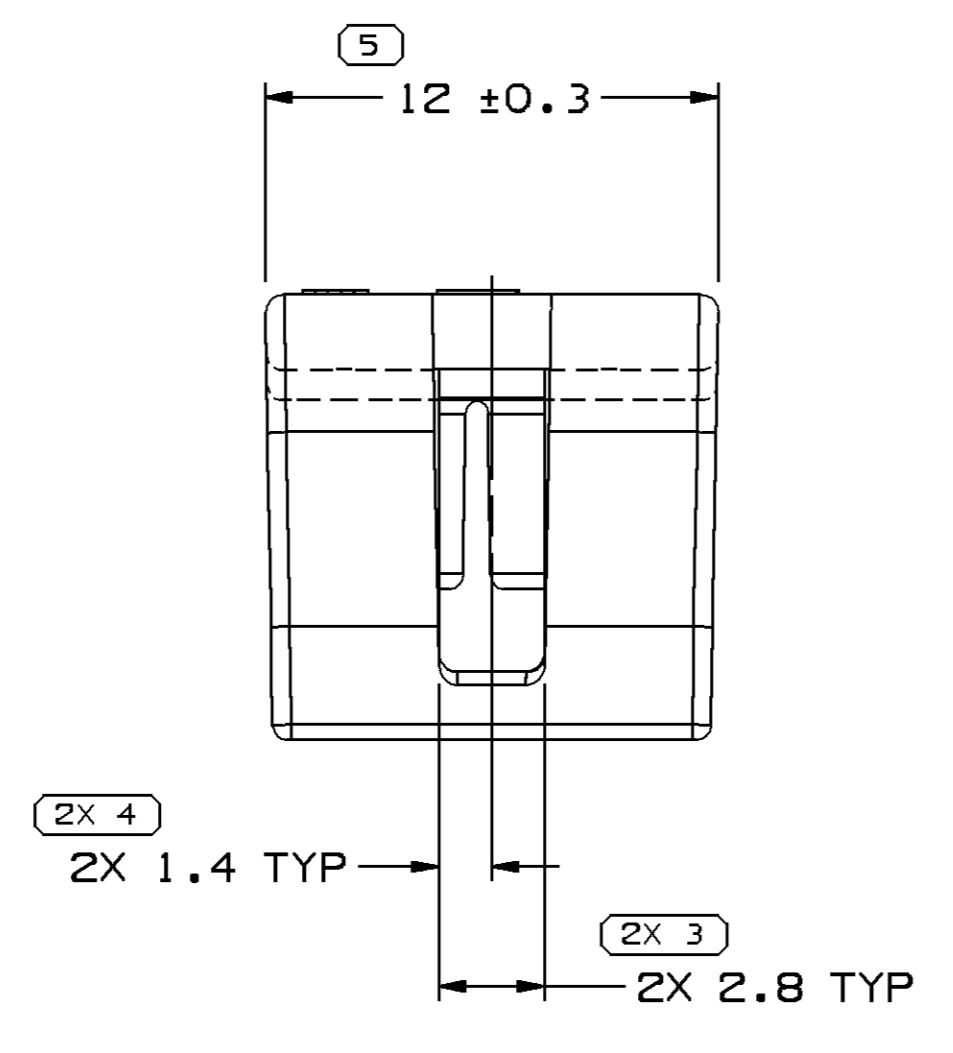


SYMBOL DEFINITION		MISSING SYMBOLS	
A DIMENSION WITHOUT AN INSPECTION REPORT SYMBOL DOES NOT REQUIRE INSPECTION. IT MAY BE CONTROLLED ON THE INDIVIDUAL COMPONENT DRAWING.	TOTAL NO OF INSPECTIONS REQUIRED	NO MISSING SYMBOL NUMBER	
	35		
	LAST NO. USED		
	12		

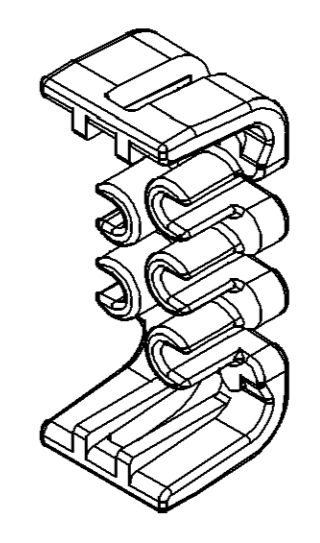
DWG STATUS				REVISION HISTORY				AUTH		DR		AP/VD	
DATE	STG	REV	W/P	CHG	ZONE								
21JA02	R	005	-	-		CREATED PD, ADDED OPTIONAL CONSTRUCTION & MATERIAL RECYCLING CODE NOTES & MAT'L SPEC WAS P46	219646	JBR	EDV	BMC			
08FE06	R	05	AA	-		4X 1.25 ±0.2 WAS 4X 1.25 ±0.15 AND REMOVED AUTOMATIC FEEDING NOTE	277260	JPH	JVM	BDG			



OPTIONAL CONSTRUCTION

NOTES

- UNLESS OTHERWISE SPECIFIED AND/OR INDICATED: DIMENSIONS ARE TO FACE OF VIEW SHOWN AND AUTOMATICALLY ROUNDED BY COMPUTER FOR INSPECTION (SEE MATH MODEL FOR PRECISE DIMENSIONS). FOR ALL OTHER DIMENSIONS NOT SHOWN BUT REQUIRED FOR TOOL BUILD, SEE MATH MODEL FOR PRECISE TOOL PATH DATA.
- MATERIAL RECYCLING CODE PER ISO 11469. (2.3)X(0.1) RAISED CHARACTERS AS SHOWN TO BE LOCATED ON ANY EXTERIOR SURFACE. OPTIONAL CONSTRUCTION TO BE NO MATERIAL RECYCLING CODE.
- MATING COMPONENTS OR EQUIVALENT: CONNECTOR 12092839
- MAX CABLE O.D. MUST BE LESS THAN 2.
- (2.3)X(0.1) RAISED DELPHI CORPORATE BRAND TO BE LOCATED ON ANY EXTERIOR SURFACE, PREFERABLY VISIBLE AT FINAL ASSEMBLY. OPTIONAL CONSTRUCTION TO BE "PED" OR NO LOGO.



DWG TYPE PART DRAWING		DATE																			
STYLE	D	DATE																			
VOLUME 10/1	1,266	DATE																			
DISTR CODE		DATE																			
UNLESS OTHERWISE SPECIFIED																					
THIS DOCUMENT IS IN ACCORDANCE WITH ASME Y14.9M-1994 AS MODIFIED BY THE IN-SPEC DIMENSIONING AND TOLERANCE ADDENDUM-2001. SEPARATE RATINGS OF FEATURES MAY BE BASED SEPARATELY PER RELEASE OF DATUM REFERENCES.																					
ALL DIMENSIONS ARE IN MILLIMETERS																					
REFERENCE																					
<table border="1"> <thead> <tr> <th>DIMENSIONAL RANGE (MM)</th> <th>SHORT ET</th> </tr> </thead> <tbody> <tr> <td>FROM > 0</td> <td>> 30</td> </tr> <tr> <td>> 20</td> <td>> 70</td> </tr> <tr> <td>> 30</td> <td>> 100</td> </tr> <tr> <td>> 70</td> <td>> 150</td> </tr> <tr> <td>> 100</td> <td>> 200</td> </tr> <tr> <td>> 150</td> <td>> 250</td> </tr> <tr> <td>> 200</td> <td>> 300</td> </tr> <tr> <td>> 300</td> <td>> 400</td> </tr> </tbody> </table>				DIMENSIONAL RANGE (MM)	SHORT ET	FROM > 0	> 30	> 20	> 70	> 30	> 100	> 70	> 150	> 100	> 200	> 150	> 250	> 200	> 300	> 300	> 400
DIMENSIONAL RANGE (MM)	SHORT ET																				
FROM > 0	> 30																				
> 20	> 70																				
> 30	> 100																				
> 70	> 150																				
> 100	> 200																				
> 150	> 250																				
> 200	> 300																				
> 300	> 400																				
DIMENSIONS ENCLOSED IN () INDICATE REFERENCE DIMENSIONS AND NO TOLERANCE LIMITS ARE ESTABLISHED																					
() PROCESS SENSITIVE DIMENSION																					
THIRD ANGLE PROJECTION																					
DO NOT SCALE																					
USE MATH DATA																					
<table border="1"> <thead> <tr> <th>SCALE</th> <th>FRAME NO</th> <th>SHEET NO</th> <th>REV</th> <th>N/P</th> </tr> </thead> <tbody> <tr> <td>A0</td> <td>5:1</td> <td>1 OF 1</td> <td>1 OF 1</td> <td>R 05 AA</td> </tr> </tbody> </table>				SCALE	FRAME NO	SHEET NO	REV	N/P	A0	5:1	1 OF 1	1 OF 1	R 05 AA								
SCALE	FRAME NO	SHEET NO	REV	N/P																	
A0	5:1	1 OF 1	1 OF 1	R 05 AA																	

DELPHI
DELPHI PACKARD ELECTRIC SYSTEMS
WARREN, OH

DR	DATE			
APVD1 J. GAVALDON	21JA02			
APVD2 E. VAZQUEZ	21JA02			
APVD3 G. MACIAS	28JA02			
APVD4				
APVD5				
SUBSTANCES OF CONCERN AND RECYCLED CONTENT PER DELPHI 10949001				
MATERIAL: W3592008 PA66 HS 1M BLU				
DRAWING NAME				
LOCK TPA M/P 150 BLU				
DRAWING NUMBER				
12092844				
SCALE	FRAME NO	SHEET NO	REV	N/P
A0	5:1	1 OF 1	1 OF 1	R 05 AA