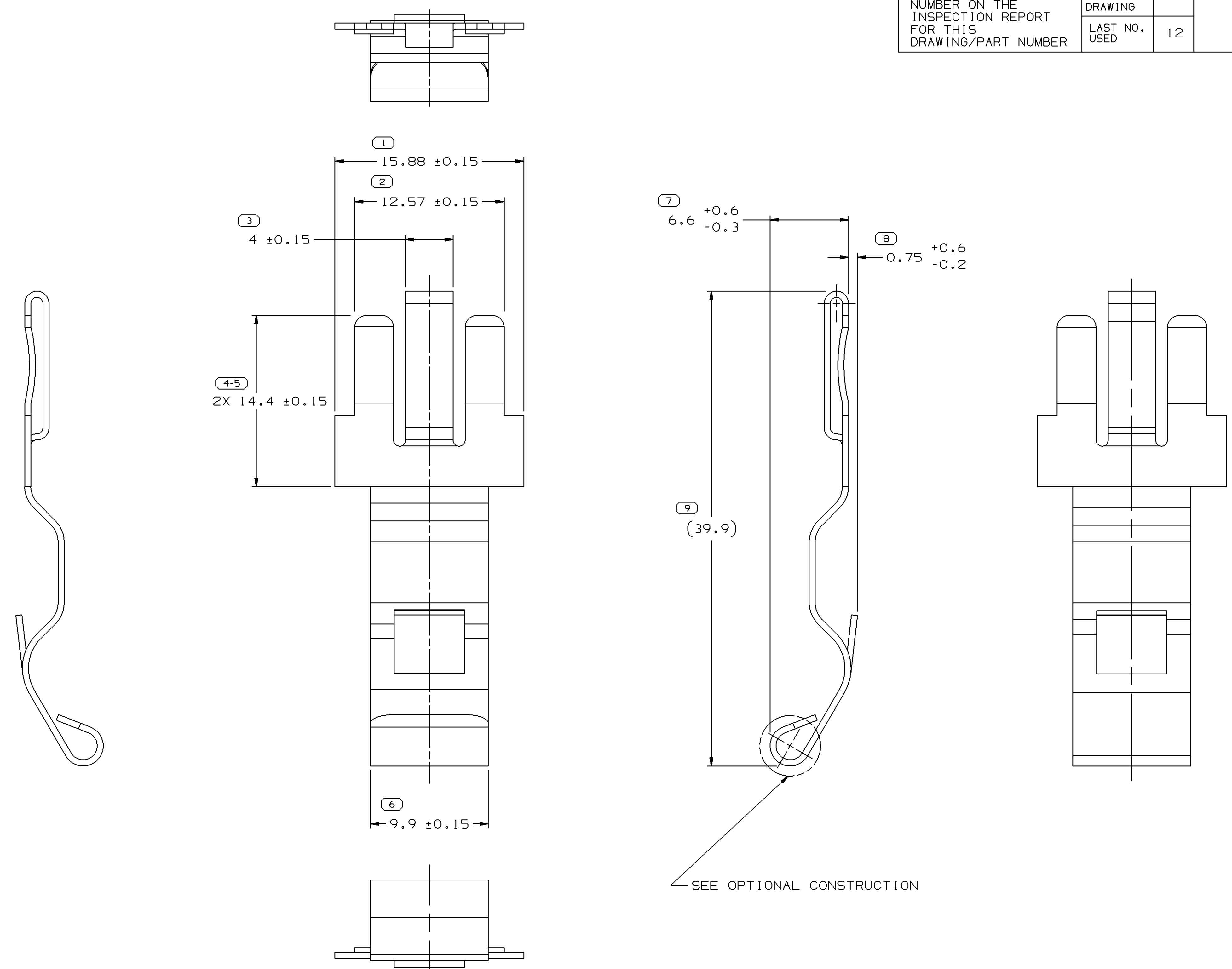


SYMBOL DEFINITION		MISSING NUMBERS	
THE NUMBER INSIDE THE SYMBOL () CORRESPONDS TO THE NUMBER ON THE INSPECTION REPORT FOR THIS DRAWING/PART NUMBER	TOTAL NO. OF SYMBOLS ON DRAWING	11	
	LAST NO. USED	12	

DWG STATUS					ZONE	REVISION HISTORY			AUTH	DR	APVD1	APVD2
DATE	STG	REV	N/P	CHG								
04AU04	R	01	-	-		RELEASED			257521	ADK	ADK	SAN



SEE OPTIONAL CONSTRUCTION

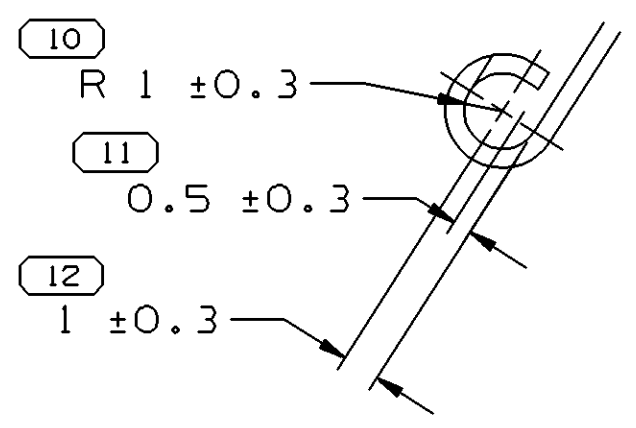
NOTES

- UNLESS OTHERWISE SPECIFIED AND/OR INDICATED: DIMENSIONS ARE TO FACE OF VIEW SHOWN AND AUTOMATICALLY ROUNDED BY COMPUTER FOR INSPECTION (SEE MATH MODEL FOR PRECISE DIMENSIONS). FOR ALL OTHER DIMENSIONS NOT SHOWN BUT REQUIRED FOR TOOL BUILD, SEE MATH MODEL FOR PRECISE TOOL PATH DATA.
- MATING COMPONENTS OR EQUIVALENT: BASE FUSBLK MAXI 12077529

MATERIAL SPEC

M-850 C.R. STEEL 0.51 THK.
 HEAT TREAT PER POS-1251E, TO 15N-83/85
 PLATE PER DX551318-P ZINC NICKEL WITH CLEAR TRIVALENT CHROME & TOPCOAT. PLATING REQUIREMENTS TO WITHSTAND 400 HOURS MINIMUM TO RED RUST IN NEUTRAL SALT FOG, EXCEPT FOR SHARP EDGES.

OPTIONAL CONSTRUCTION



7 PROCESS SENSITIVE DIMENSION	
DIMENSIONS ENCLOSED IN () INDICATE REFERENCE DIMENSIONS AND NO TOLERANCE LIMITS ARE ESTABLISHED	
DIMENSIONAL RANGE (MM)	CHART D
FROM 0	> 12
TO 12	
TOLERANCE UNLESS OTHERWISE SPECIFIED	
±0.1	±0.2
ANGULAR TOLERANCE ±2°	

DWG TYPE		PART DRAWING	
STYLE			
VOLUME (CM ³)		DISTR CODE	
UNLESS OTHERWISE SPECIFIED			
THIS DOCUMENT IS IN ACCORDANCE WITH ASME Y14.5M-1994 AS AMENDED BY THE GM GLOBAL DIMENSIONING AND TOLERANCING ADDENDUM - 1997. ALL GEOMETRIC TOLERANCES AND RELATED DATUMS APPLY RFS. RULE #1 PERFECT FORM AT MMC DOES NOT APPLY WHEN RELATIONSHIP BETWEEN FEATURES IS ESTABLISHED BY ORIENTATION OR LOCATION TOLERANCES. SEPARATE POSITION CALLOUTS MAY BE GAGED SEPARATELY, REGARDLESS OF DATUM REFERENCE. ALL DIMENSIONS ARE IN MILLIMETERS			
THIRD ANGLE PROJECTION	DO NOT SCALE	UNIGRAPHICS	
USE MATH DATA			

DELPHI
 DELPHI PACKARD ELECTRIC SYSTEMS
 WARREN, OH

DR	DATE
APVD1 ADAM D. KIMBERLIN	04AU04
APVD2 ADAM D. KIMBERLIN	04AU04
APVD3 S.A. NORLING	04AU04
APVD4	
APVD5	

SUBSTANCES OF CONCERN AND RECYCLED CONTENT PER DELPHI 10949001

MATERIAL SEE NOTES

DRAWING NAME
 MOUN CLIP

DRAWING NUMBER
 15495959

SIZE	SCALE	FRAME NO	SHEET NO	STG	REV	N/P
A1	5:1	1 OF 1	1 OF 1	R	01	-