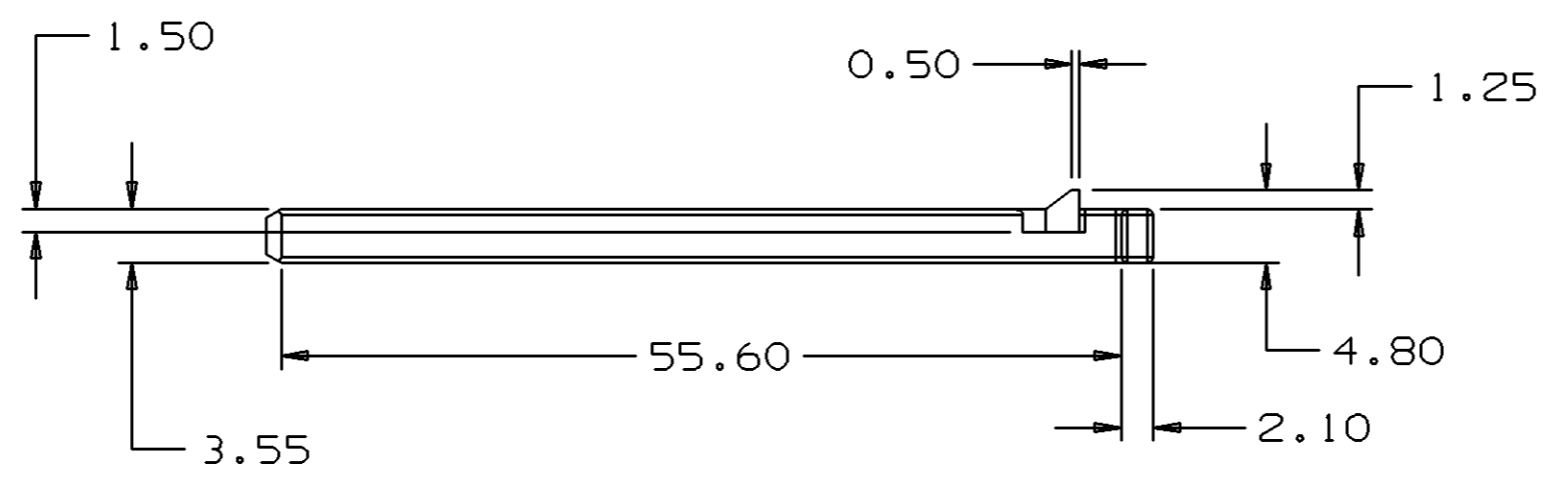
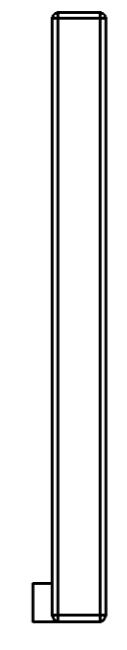
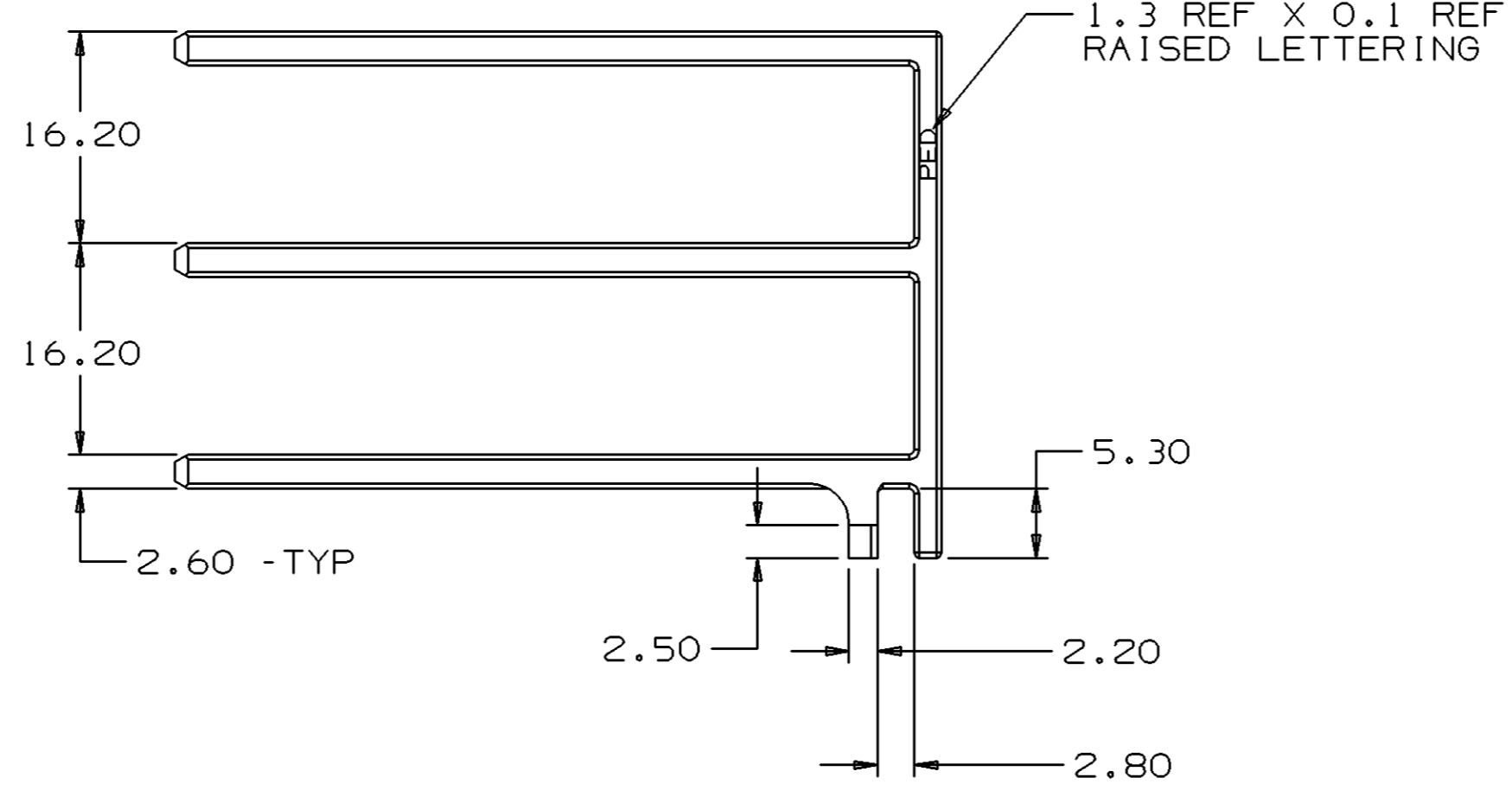
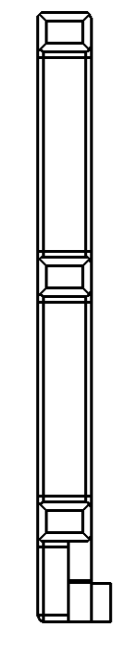
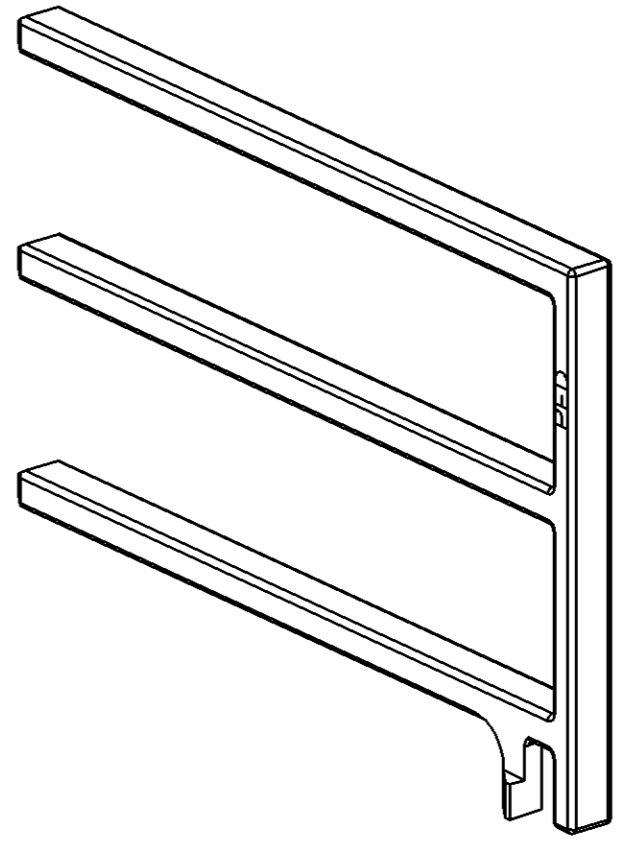
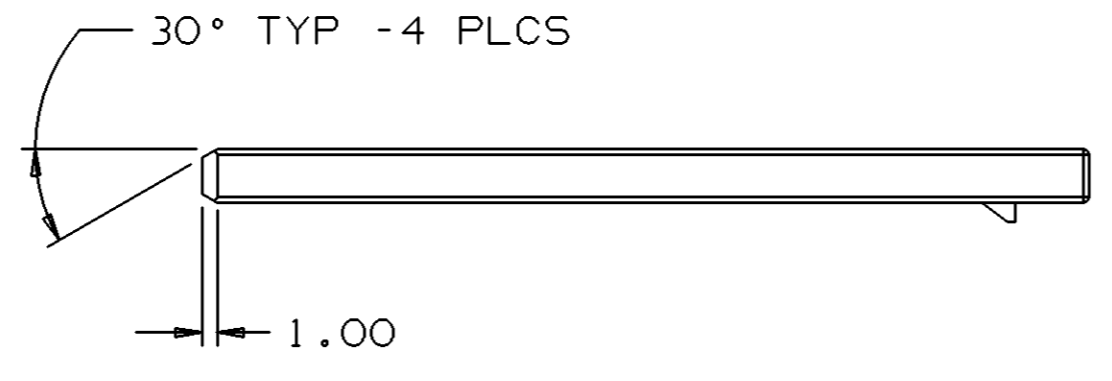


THIS DRAWING AND DESIGN HEREON CONSTITUTES A PROPRIETARY DESIGN OF PACKARD ELECTRIC DIVISION AND IS NOT TO BE DUPLICATED OR REPRODUCED WITHOUT AUTHORITY OF PACKARD ELECTRIC DIVISION
DO NOT SCALE

PART NO
1214 6284

DATE	SYM	REVISION RECORD	AUTH	DR	CK
27MY92	A	P.E. DRAWING CREATED	JAR	—	—
01DE92	A1	WAS PE035526 & RELEASED	920005	RKRR	RKRR
18FE93	B	RELOCATED LOCK TAB &			
		REMOVED SEC A-A	153279	TMPT	TMPT
14FE94	B1	55.60 WAS 56.00 AND			
		REMOVED 0.80 R	159626	BKBD	BKBD
27DE95	B2	REVISED MAT'L SPEC	168432	MRGR	MRGR



PART NO
1214 6284

- NOTES — 1. UNLESS OTHERWISE SPECIFIED AND/OR INDICATED: DIMENSIONS ARE TO FACE OF VIEW SHOWN AND AUTOMATICALLY ROUNDED BY COMPUTER FOR INSPECTION (SEE MATH MODEL FOR PRECISE DIMENSION) ALL RADII 0.40 DRAFT IS 1° ON ALL OUTSIDE SURFACES SECONDARY LOCK FEATURES ARE IDENTICAL
2. "O" DENOTES DIMENSIONS AND CHARACTERISTICS THAT ARE IMPORTANT TO THE FUNCTION AND/OR PROCESSING OF THE PART. IT DOES NOT NECESSARILY INDICATE AN SPC DIMENSION. THIS DRAWING HAS 1 SNOWCONE.
3. MATING COMPONENTS:
FUSE/RELAY BLOCK 12146281 OR EQUIVALENT
4. THIS PART IS NOT CONTROLLED FOR AUTOMATIC FEEDING.
5. SEALING CODE 0.

		METRIC <small>DIMENSIONS ARE IN MILLIMETERS UNLESS OTHERWISE SPECIFIED</small>	
THIRD ANGLE PROJECTION 		TOLERANCE UNLESS OTHERWISE SPECIFIED <small>DECIMAL: ANGULAR ± 2°</small>	
CODE NO 6900	QC -C-4004	ONE PLACE ± 0.3 TWO PLACE ± 0.15	
DWG DATE 27MY92	DES J. RHINEHART	27MY92	
SCALE 2:1	DR G. DETTER	01DE92	
REFERENCE NO		CK	
MATERIAL SPEC RO100109 PBT GRA		APPR. A. PETROSKY 01DE92	
NAME SEC LK			
PART NUMBER 1214 6284		SIZE A1	

PACKARD ELECTRIC DIVISION
GENERAL MOTORS CORPORATION
WARREN, OHIO