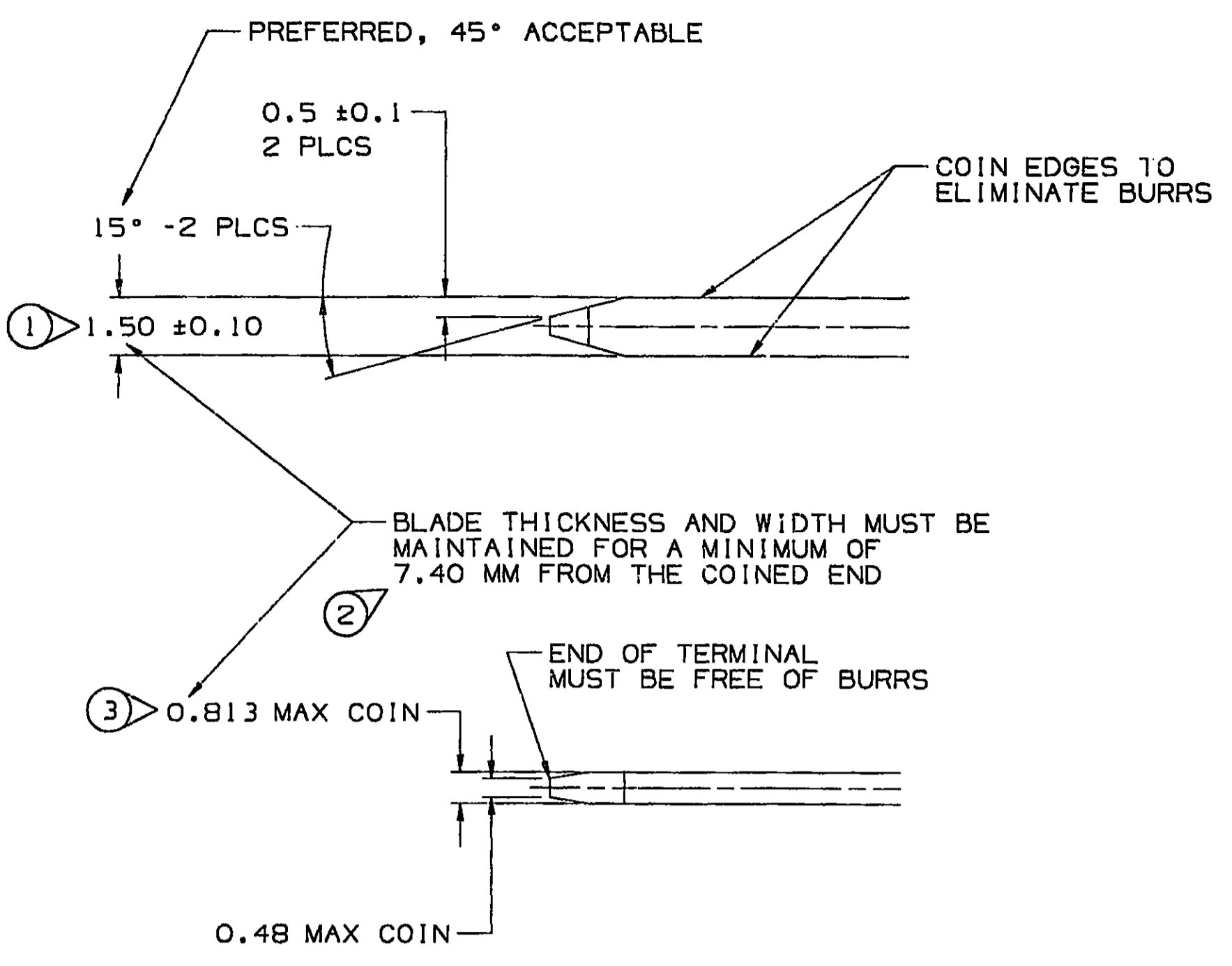


DATE	BY	REVISION RECORD	AUTH	DR	CK
18AP95	A	WAS PEO44162 & RELEASED	750005	TRC	RS
27JUN95	B	REVISED INDEX	166920	TRC	KV



MATERIAL SPECIFICATIONS

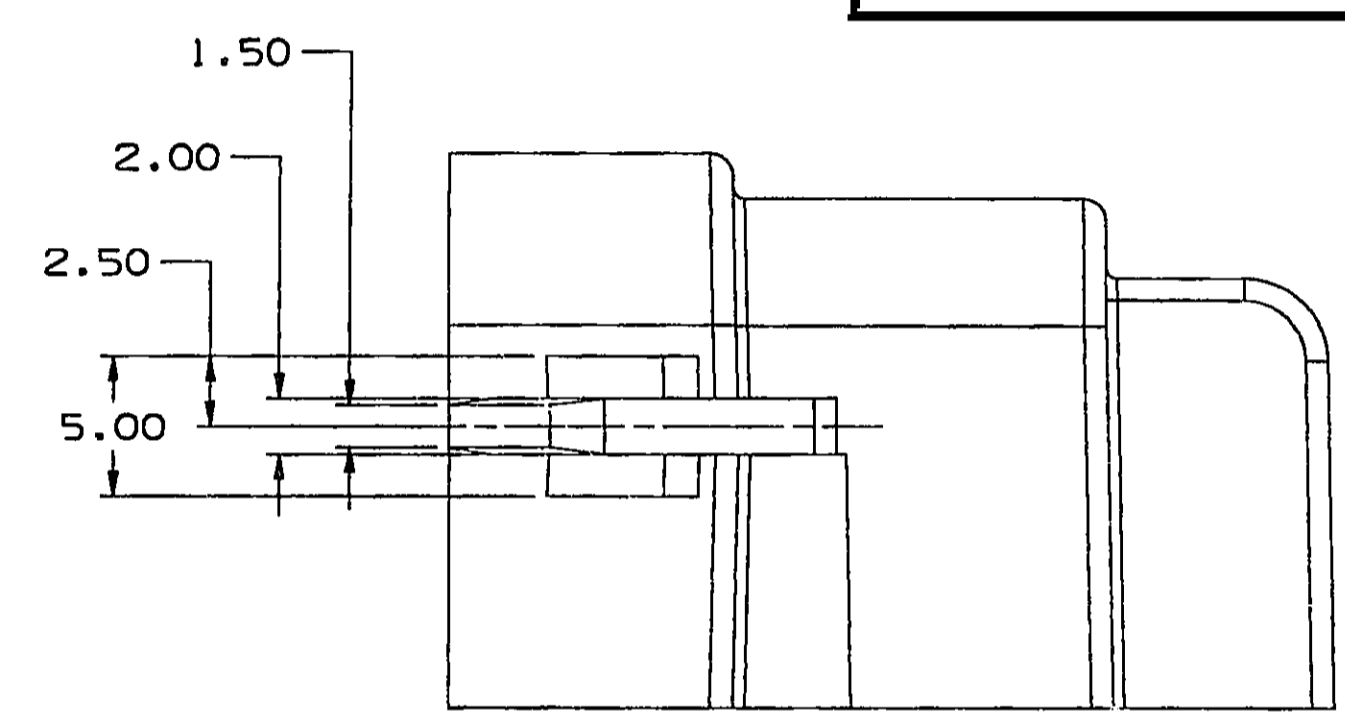
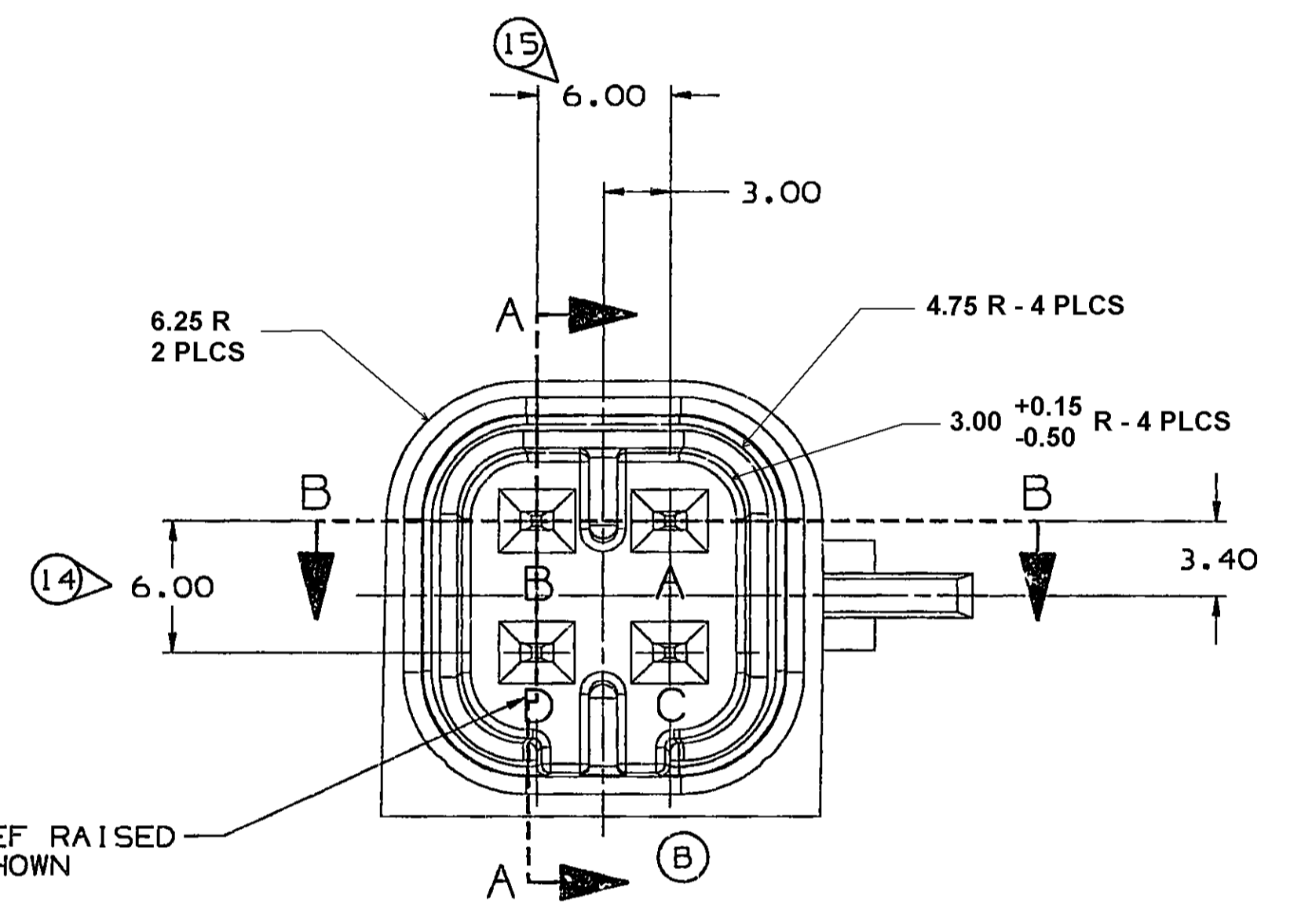
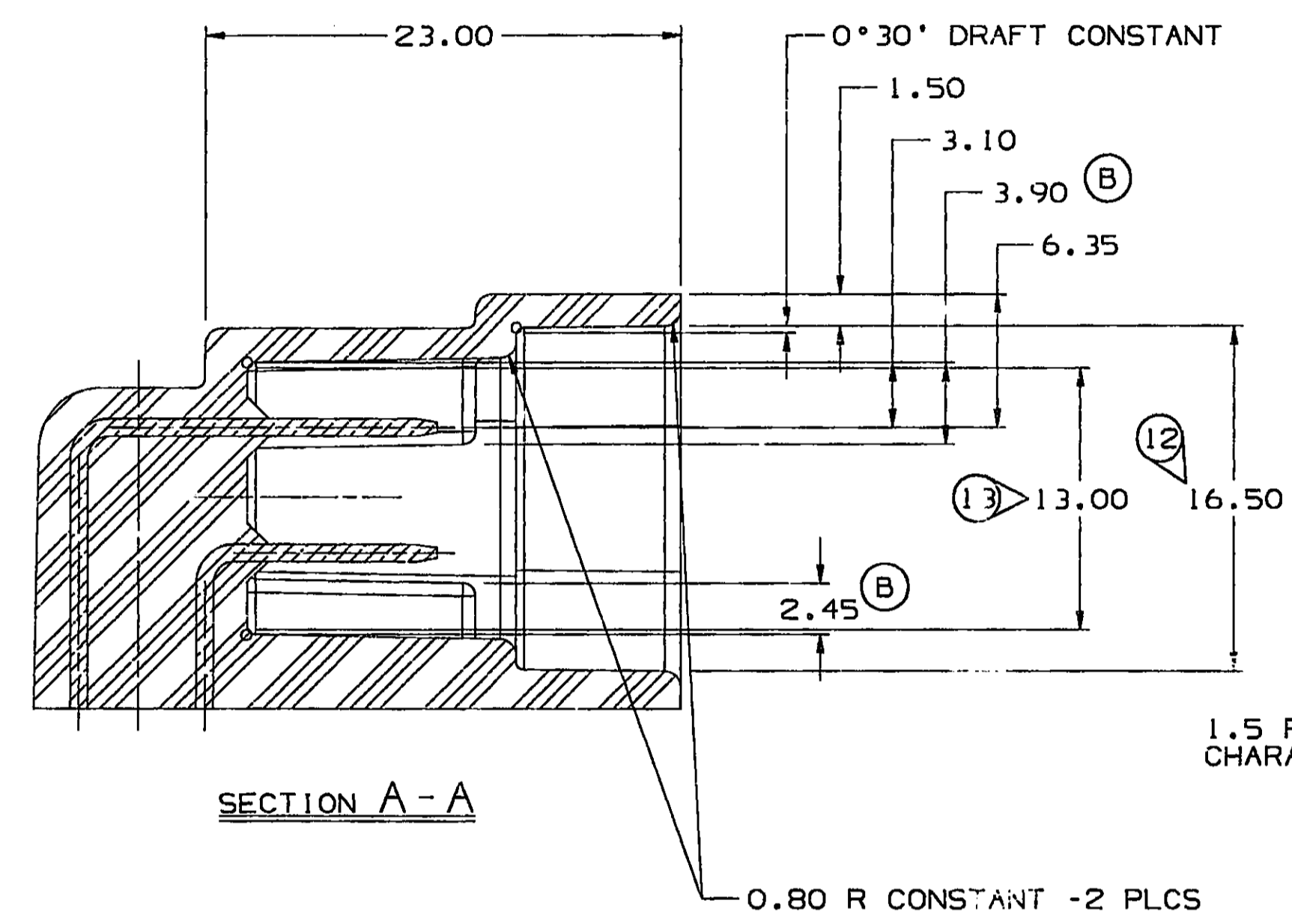
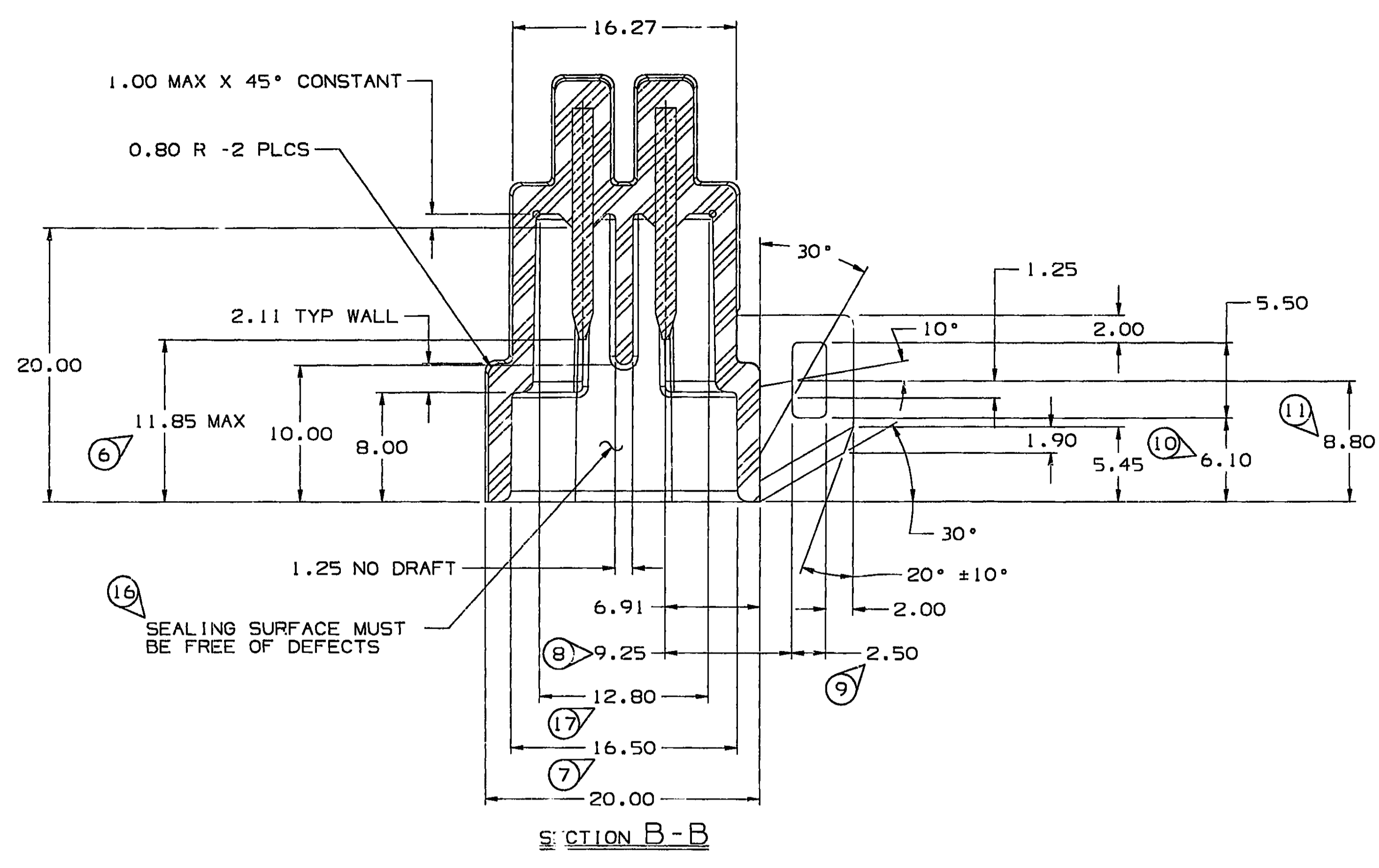
RECOMMENDED
 BASE METAL - CDA-210, GILDING, EXTRA SPRING TEMPER
 PLATING - 0.0050±0.0025 MM THICK TIN

MINIMUMS
 ELECTRICAL CONDUCTIVITY - ≥ 20% IACS @ 20°C. USE OF A MATERIAL WITH CONDUCTIVITY ≤ 20% IACS MUST BE APPROVED BY PACKARD ELECTRIC MATERIALS ENGINEERING.
 TENSILE STRENGTH - 407 MPa

PLATING - FOR LOW ENERGY (≤ 5v) AND NON-PASSENGER COMPARTMENT POWER CIRCUITS, 0.0050±0.0025 MM THICK TIN. FOR MATERIALS CONTAINING 10% OR MORE ZINC, AN UNDERPLATE OF COPPER 0.0050±0.0025 MM THICK IS REQUIRED.

MATING BLADE INFORMATION

SCALE 8:1



06/27/01 ADDED RADIUS DIMENSIONS

TEMPORARY PRODUCTION PRINT
 See electronic approvals of ECN
 Change Notice Number: 211500

PART NO
1217 6897

- NOTES:**
- UNLESS OTHERWISE SPECIFIED AND/OR INDICATED: DIMENSIONS ARE TO FACE OF VIEW SHOWN AND AUTOMATICALLY ROUNDED BY COMPUTER FOR INSPECTION. (SEE MATH MODEL FOR PRECISE DIMENSION.) ALL RADII 0.40 DRAFT IS 1° ON ALL OUTSIDE SURFACES
 - RECOMMENDED MATERIAL - DELRIN 100 P
 - WHEN USING THIS INFORMATION FOR A NEW DESIGN, REQUEST THE LATEST COPY OF THIS FROM PACKARD ELECTRIC.

MATING CONNECTOR INFORMATION

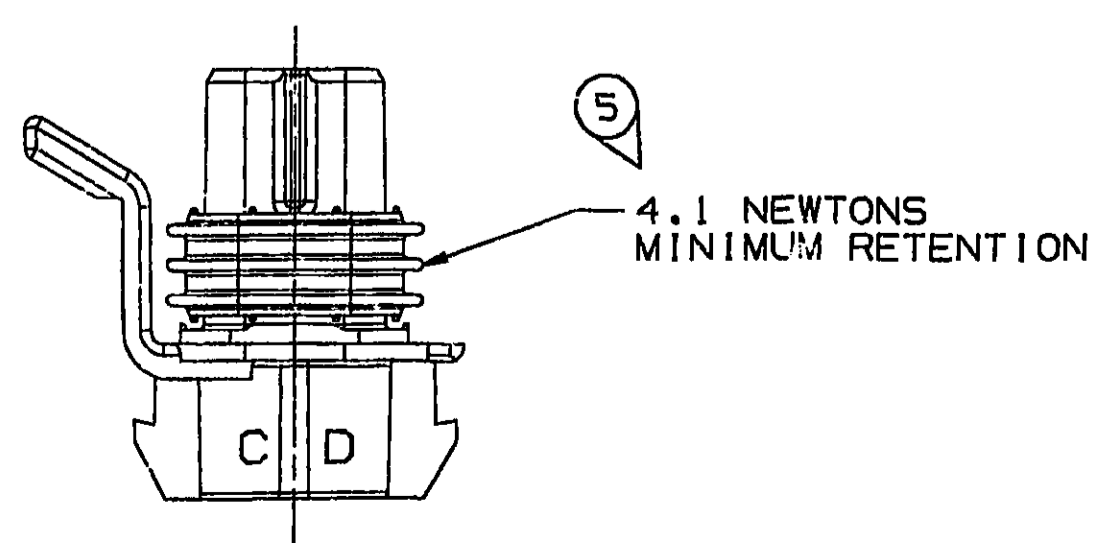
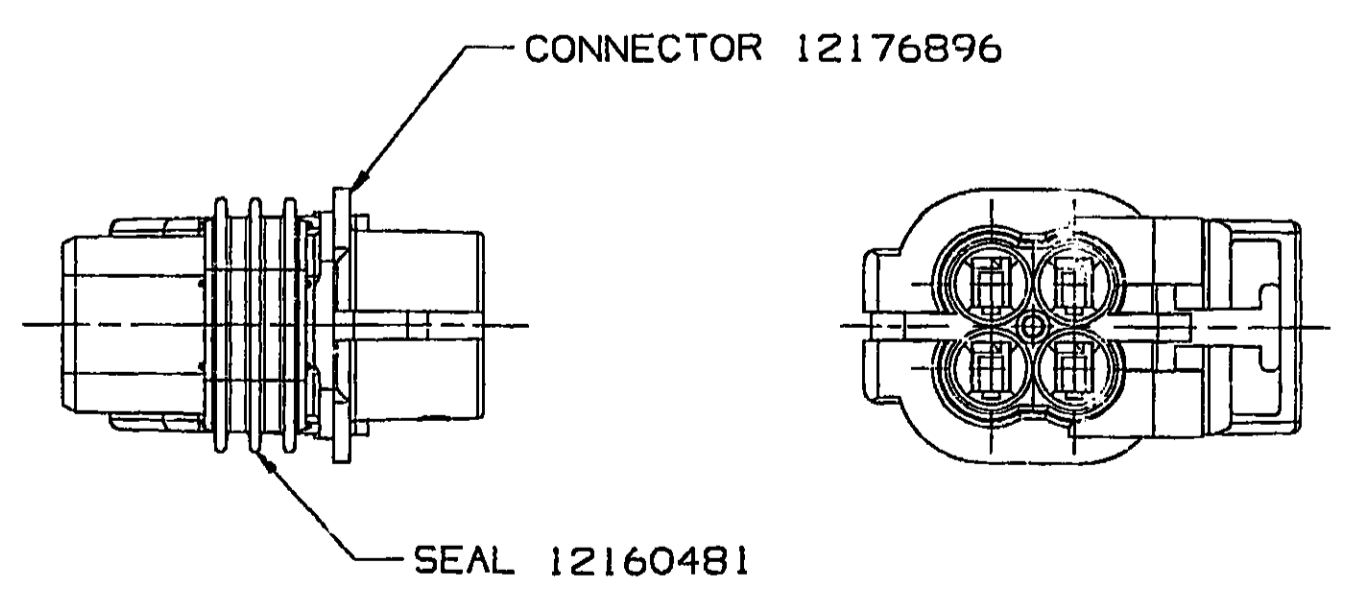
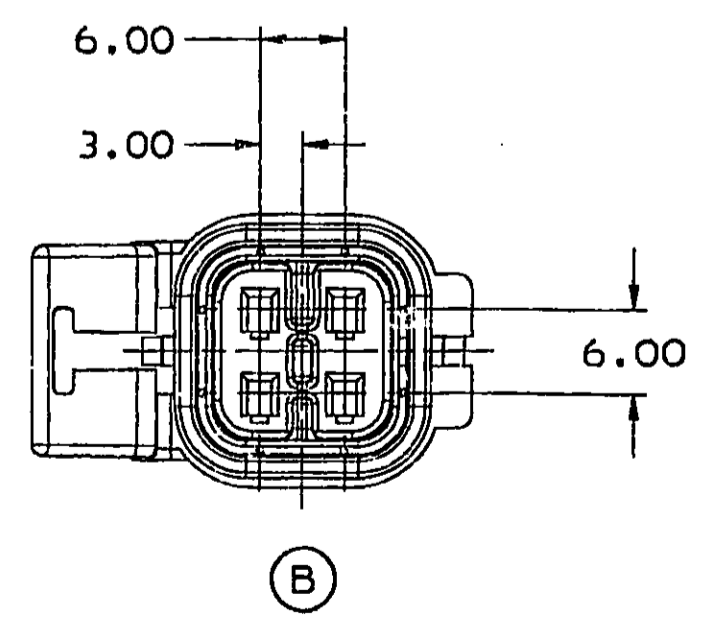
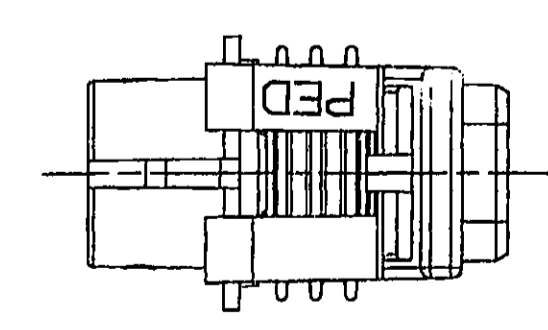
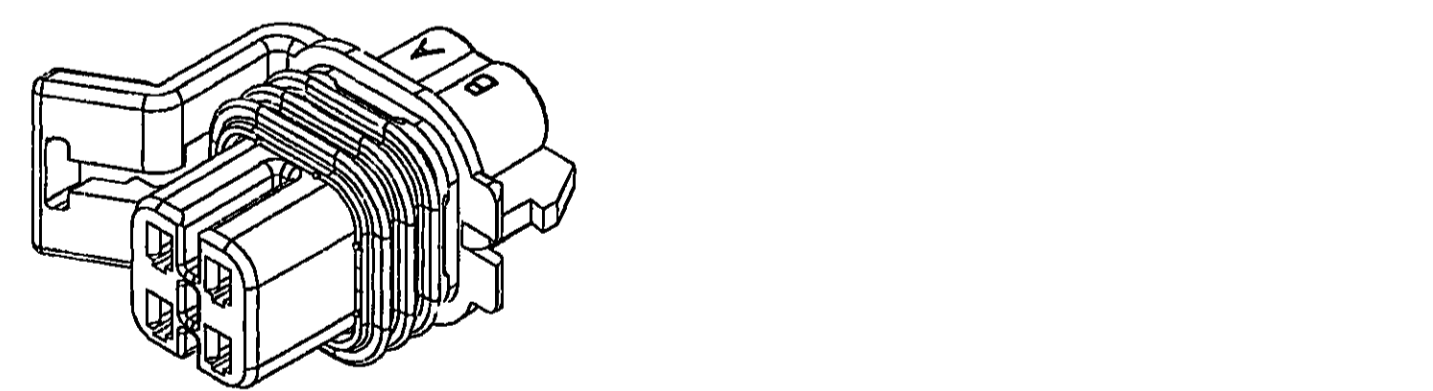
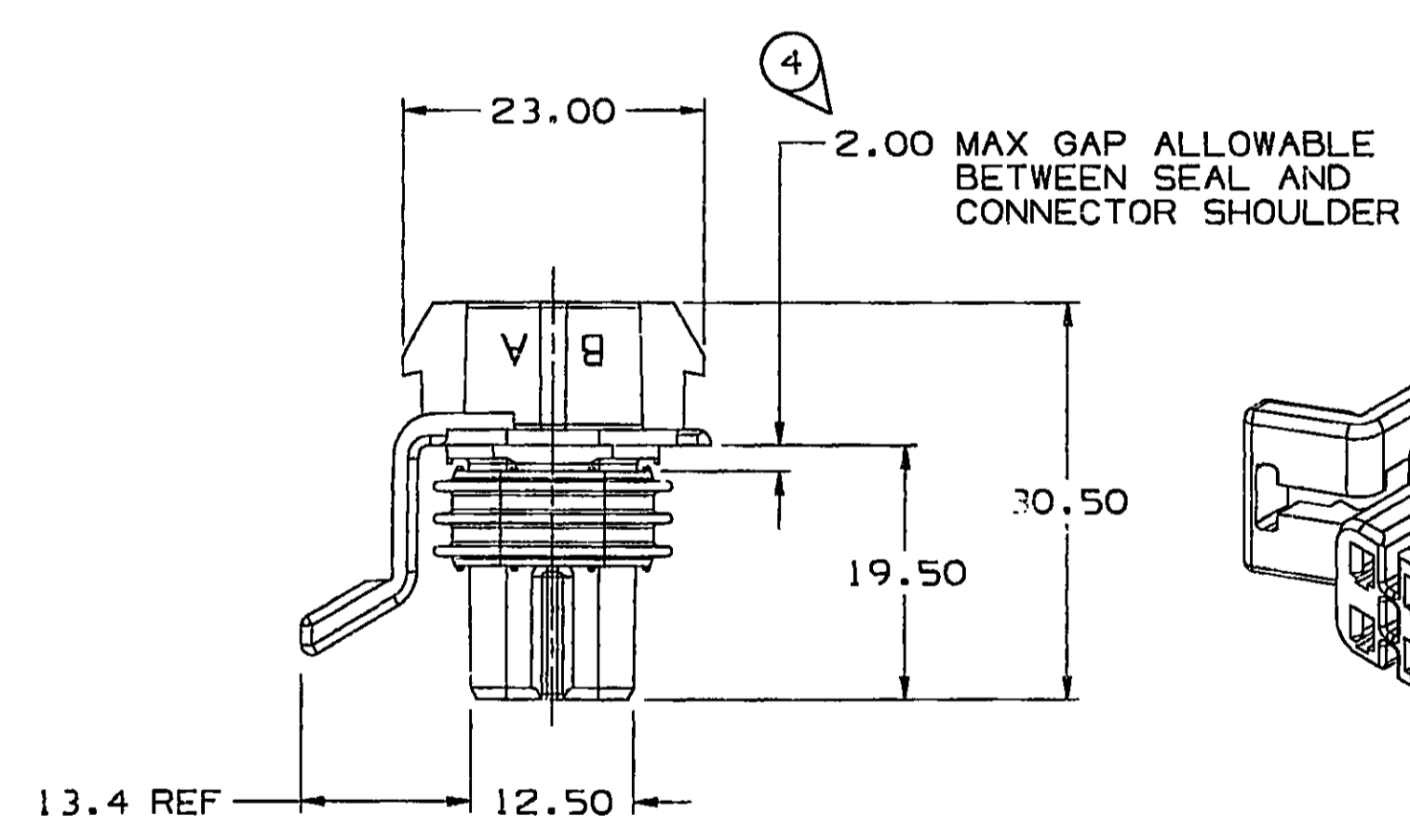
SCALE 4:1

GENERAL NOTE

"C" DENOTES DIMENSIONS AND CHARACTERISTICS THAT ARE IMPORTANT TO THE FUNCTION AND/OR PROCESSING OF THE PART THAT HAVE SPECIAL ACCEPTANCE CRITERIA FOR PRODUCTION APPROVAL. THIS DRAWING HAS 17 SNOWCONES.

PART NO
1217 6897

- NOTES:**
- UNLESS OTHERWISE SPECIFIED AND/OR INDICATED: DIMENSIONS ARE TO FACE OF VIEW SHOWN AND AUTOMATICALLY ROUNDED BY COMPUTER FOR INSPECTION. (SEE MATH MODEL FOR PRECISE DIMENSION.) ALL RADII 0.40 DRAFT IS 1° ON ALL OUTSIDE SURFACES CAVITIES ARE IDENTICAL LOCKING FEATURES ARE IDENTICAL
 - MATING COMPONENTS:
 TERMINAL 12048074 OR EQUIVALENT
 SECONDARY TERMINAL POSITION LOCK (TPA) 12160480 OR EQUIVALENT
 CABLE SEAL 12048086 OR EQUIVALENT (SEE DRAWING 12010295 FOR CABLE SEAL COMPATIBLE O.D. RANGE)
 CONNECTOR POSITION ASSURANCE LOCK (CPA) 12077979 OR EQUIVALENT
 CONNECTOR 12176895 OR EQUIVALENT
 - THIS PART IS NOT CONTROLLED FOR AUTOMATIC FEEDING.
 - SEALING CODE 3
 DESIGN WILL PASS SALT FOG AND IMMERSION TEST AFTER CONDITIONING AS SPECIFIED IN ESA-710 - WHEN MATED TO MATING PART OR EQUIVALENT
 - DIMENSIONS MARKED "REF" ARE FOR REFERENCE ONLY AND NO TOLERANCE LIMITS ARE ESTABLISHED.
 - CONNECTOR ENGAGE FORCE CODE



Ultronics II		METRIC	
THIRD ANGLE PROJECTION		DIMENSIONS ARE IN MILLIMETERS UNLESS OTHERWISE SPECIFIED	
TOLERANCES UNLESS OTHERWISE SPECIFIED		DECIMAL ANGULAR ± 2°	
CODE NO	DC	ONE PLACE ± 0.3	TWO PLACE ± 0.15
6900			
DWG DATE	25NO94	DR JUAN GONZALEZ 25NO94	
SCALE	2:1	CR D BRANTINGHAM 25NO94	
REFERENCE NO	12160482	APP P. OLBRYN 02MY95	
MATERIAL SPEC		VOL CM	
SEE DRAWING			
NAME ASM CONN 4F M/P 150 SEALED			
PART NUMBER 1217 6897		SIZE AO	
PRODUCT INFORMATION DRAWING			