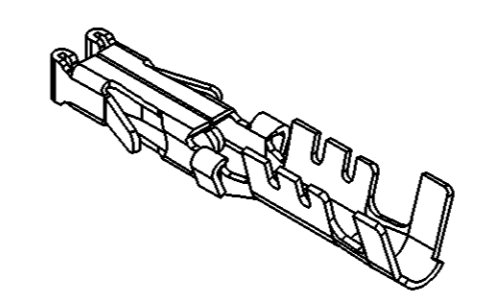
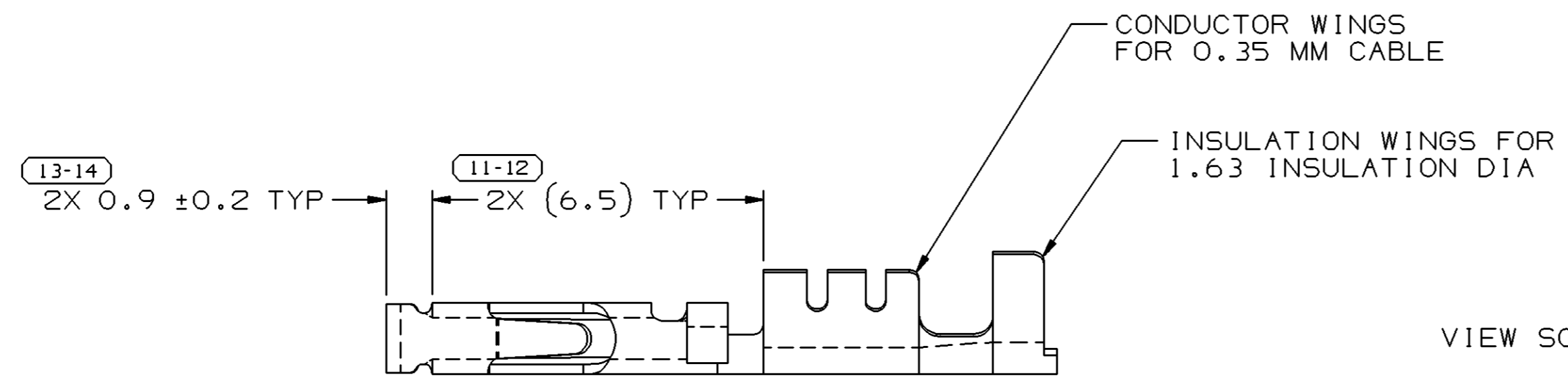
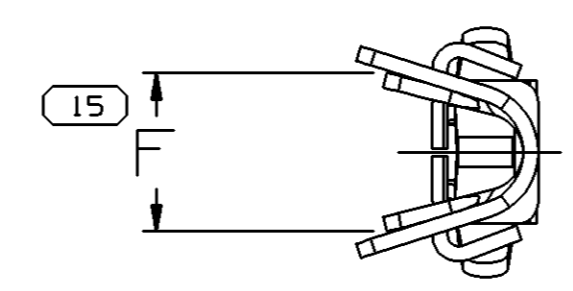
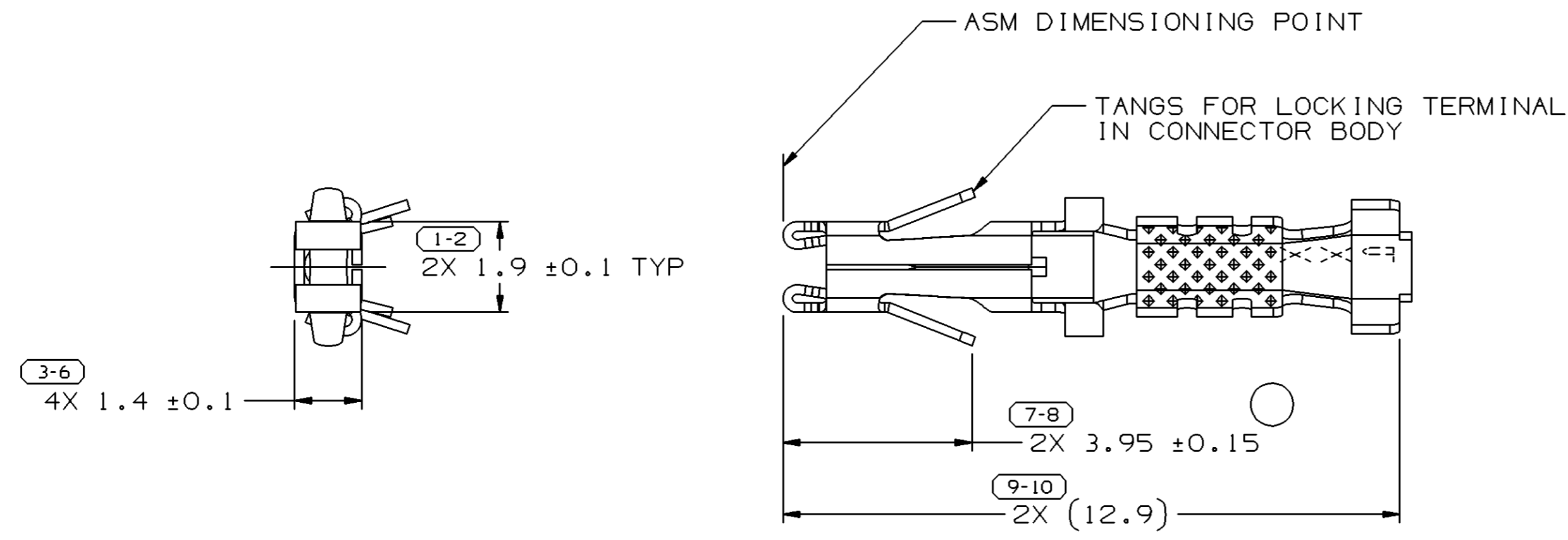


SYMBOL DEFINITION		MISSING NUMBERS	
THE NUMBER INSIDE THE SYMBOL () CORRESPONDS TO THE NUMBER ON THE INSPECTION REPORT FOR THIS DRAWING/PART NUMBER	TOTAL NO. OF SYMBOLS ON DRAWING	7	
	LAST NO. USED	15	

DWG STATUS					ZONE	REVISION HISTORY	AUTH	DR	APVD 1	APVD 2
DATE	STG	REV	N/P	CHG						
20SE99	-	01	-	-		CLEARED REVISION COLUMN REVISED NOTES & GRAPHICS	195715	JHH	JHH	RJ
19MY00	-	02	-	-		ALL PARTS - CREATED SOLID MODELS & REVISED INSPECTION SYMBOLS	200225	FRG	GGI	MW
22OC01	-	03	-	-		ALL PARTS - UPDATED PDM ATTRIBUTES	215725	JMR	JMR	MW
16AP02	-	04	-	-		DIM F WAS +/-0.1 & UPDATED FORMAT	223829	RAB	RAB	MD
06N002	R	05	-	-		12177007 - UPDATED PDM ATTRIBUTES	232853	TLD	TLD	MJD
03JA03	R	06	-	-		12177007 & 12129361 - 2X 3.95±0.15 WAS 2X 3.95±0.1	235051	TLD	TLD	RF
12FE04	R	07	-	-		12177007 & 12129361 - REVISED CHART ADDED MATERIAL SPEC COLUMN	251019	CTR	JAA	MD



VIEW SCALE DOES NOT REFLECT ACTUAL PART SIZE

NOTES
 1. UNLESS OTHERWISE SPECIFIED AND/OR INDICATED: DIMENSIONS ARE TO FACE OF VIEW SHOWN AND AUTOMATICALLY ROUNDED BY COMPUTER FOR INSPECTION (SEE MATH MODEL FOR PRECISE DIMENSIONS). FOR ALL OTHER DIMENSIONS NOT SHOWN BUT REQUIRED FOR TOOL BUILD, SEE MATH MODEL FOR PRECISE TOOL PATH DATA.

PART NO	STG	REV	N/P	STATUS	SIZE (MM ²)	DIA	I.D. NO.	MATL. SPEC.	MATL. DESC.	CONTACT INTERFACE	CODE NO.	F
12177007	R	A8	-		0.35	1.63 MAX	22	M3633FN4	C17200 BECU AU+SN	GOLD	6901	2.1 +/-0.2
12129361	R	A8	-		0.35	1.63 MAX	22	M3635466	C17200 BECU SN	TIN	6901	2.1 +/-0.2
12092440	R	H3	-	OBSOLETE	0.35	1.63 MAX	22	-	-	TIN	6900	2.1
CABLE												

DIMENSIONAL RANGE (MM)		CHART D
FROM	TO	
0	12	>12
TOLERANCE UNLESS OTHERWISE SPECIFIED		
±0.1		±0.2
ANGULAR TOLERANCE ±2°		

DWG TYPE: PART DRAWING

STYLE: _____

VOLUME (CM³): _____

ROUTING: SEE CHART

UNLESS OTHERWISE SPECIFIED

THIS DOCUMENT IS IN ACCORDANCE WITH ASME Y14.5M-1994 AS AMENDED BY THE GM GLOBAL DIMENSIONING AND TOLERANCING ADDENDUM - 1997. ALL GEOMETRIC TOLERANCES AND RELATED DATUMS APPLY RFS. RULE #1 PERFECT FORM AT MMC DOES NOT APPLY WHEN RELATIONSHIP BETWEEN FEATURES IS ESTABLISHED BY ORIENTATION OR LOCATION TOLERANCES. SEPARATE POSITION CALLOUTS MAY BE GAGED SEPARATELY, REGARDLESS OF DATUM REFERENCE. ALL DIMENSIONS ARE IN MILLIMETERS.

THIRD ANGLE PROJECTION

DO NOT SCALE

USE MATH DATA

DELPHI

DELPHI PACKARD ELECTRIC SYSTEMS
WARREN, OH

DR	DATE
APVD1 ROGER WAYT	01FE88
APVD2 TOM NADASKY	14MY88
APVD3 JOHN YURTIN	26MY88
APVD4	
APVD5	

SUBSTANCES OF CONCERN AND RECYCLED CONTENT PER DELPHI-A 10949001

MATERIAL: SEE DRAWING

DRAWING NAME: TERM F MIC/P 064

DRAWING NUMBER: 12092439

SIZE	SCALE	FRAME NO	SHEET NO	STG	REV	N/P
A1	10:1	1 OF 1	1 OF 1	R	07	-