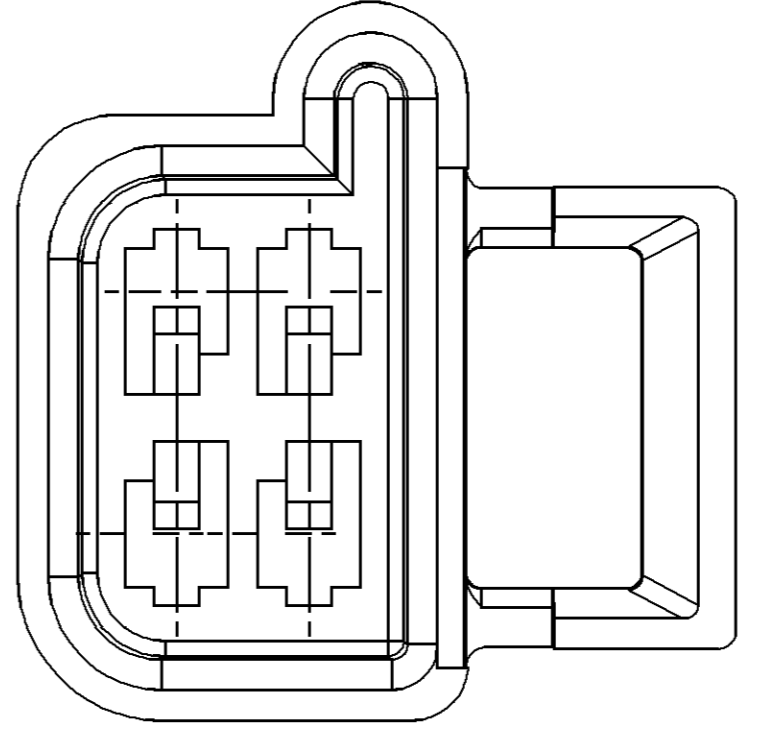
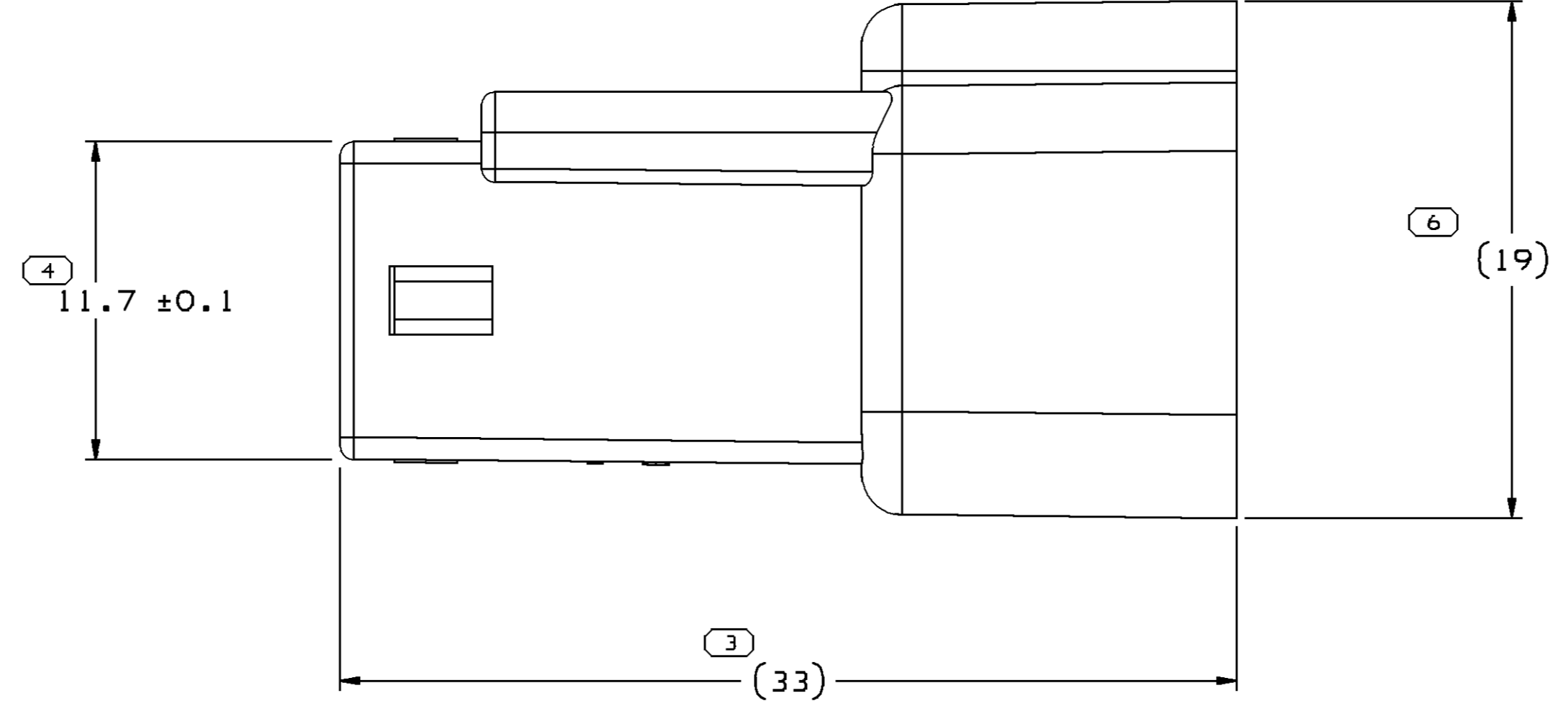
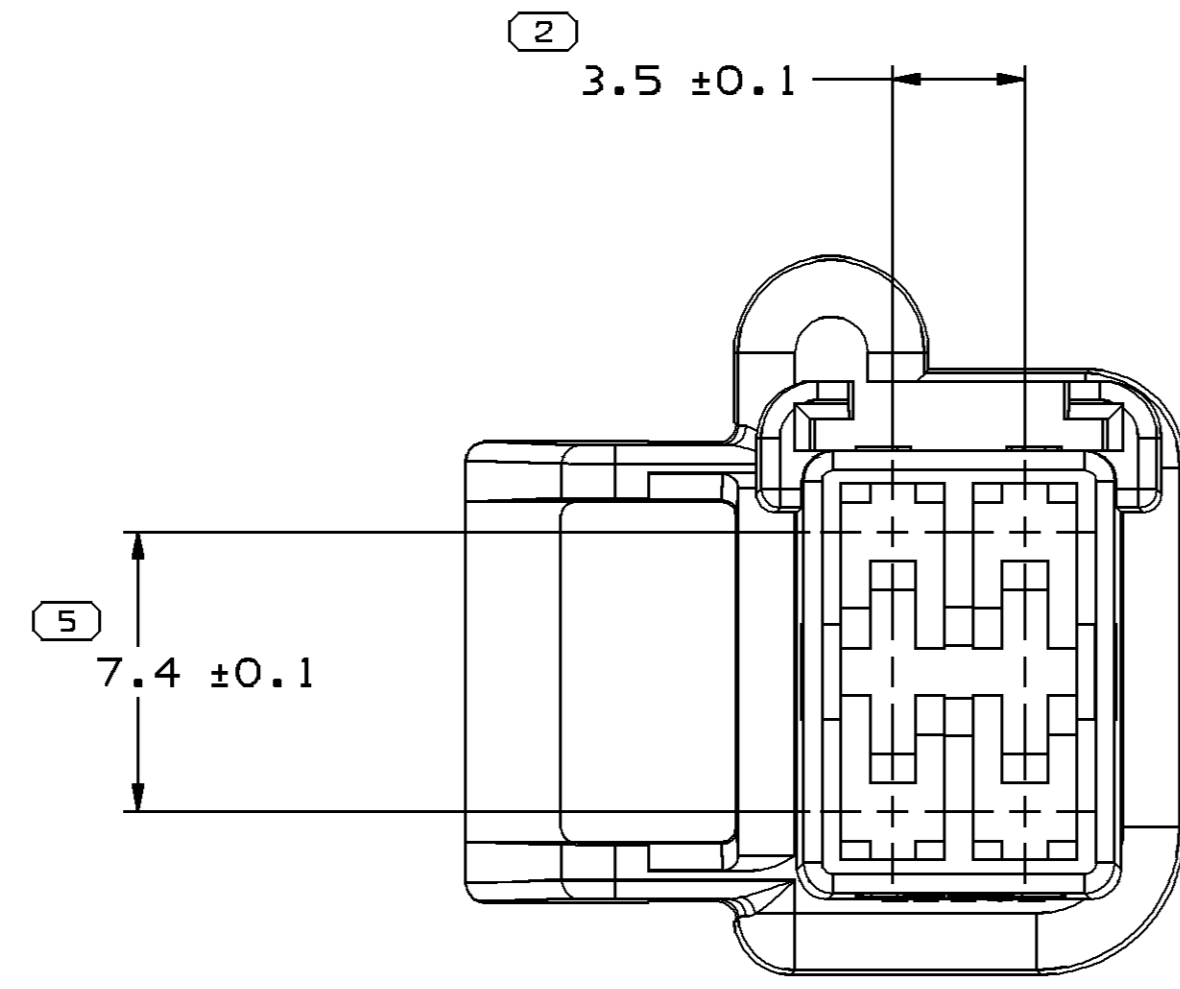
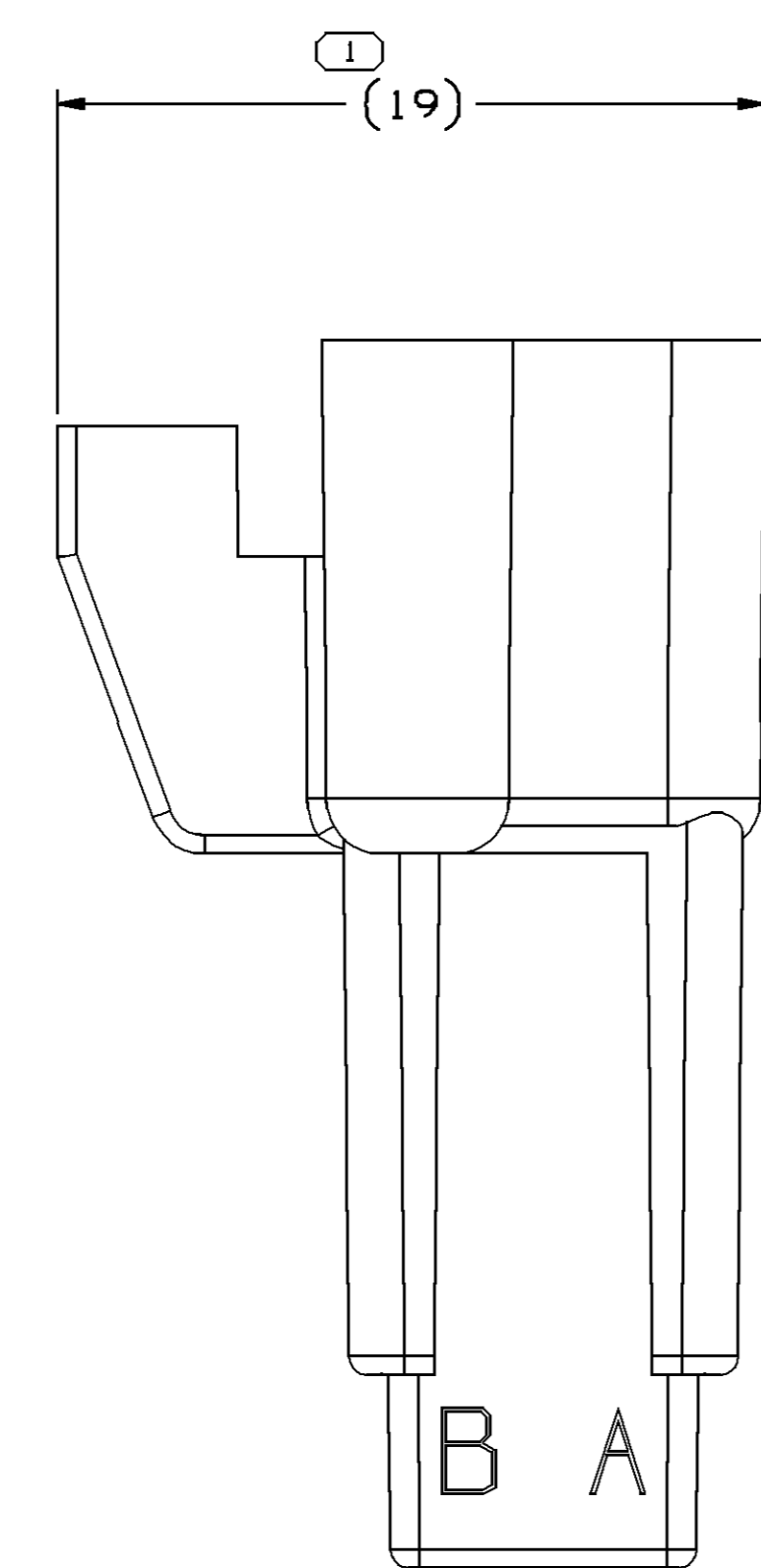
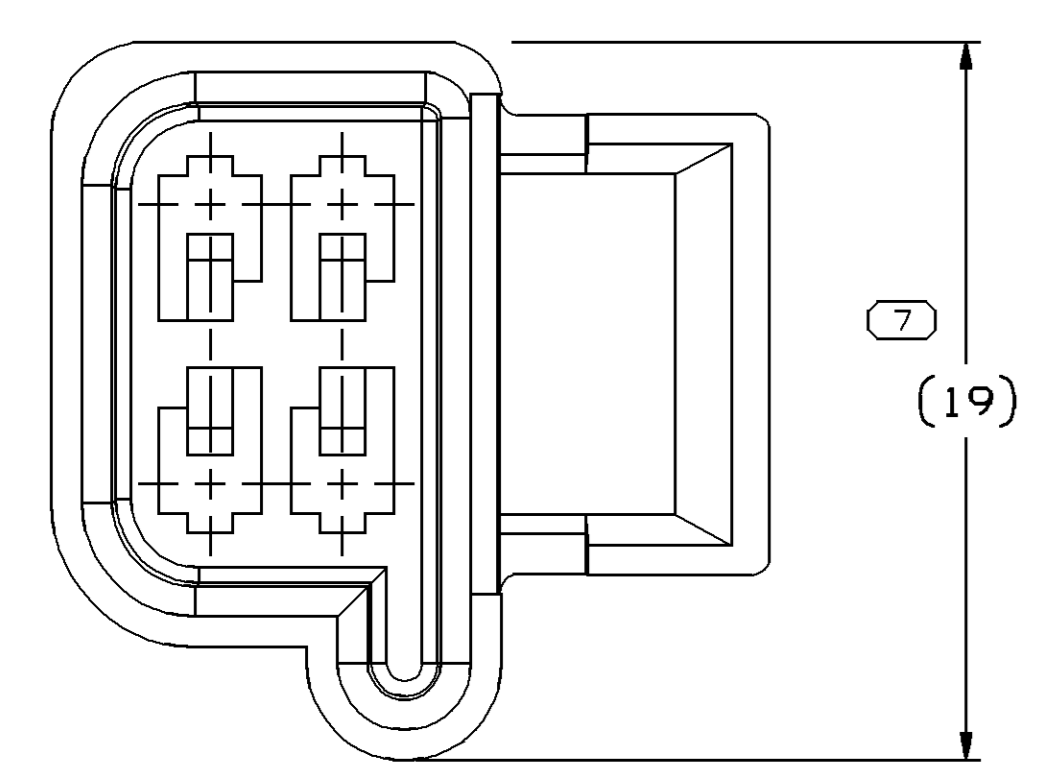
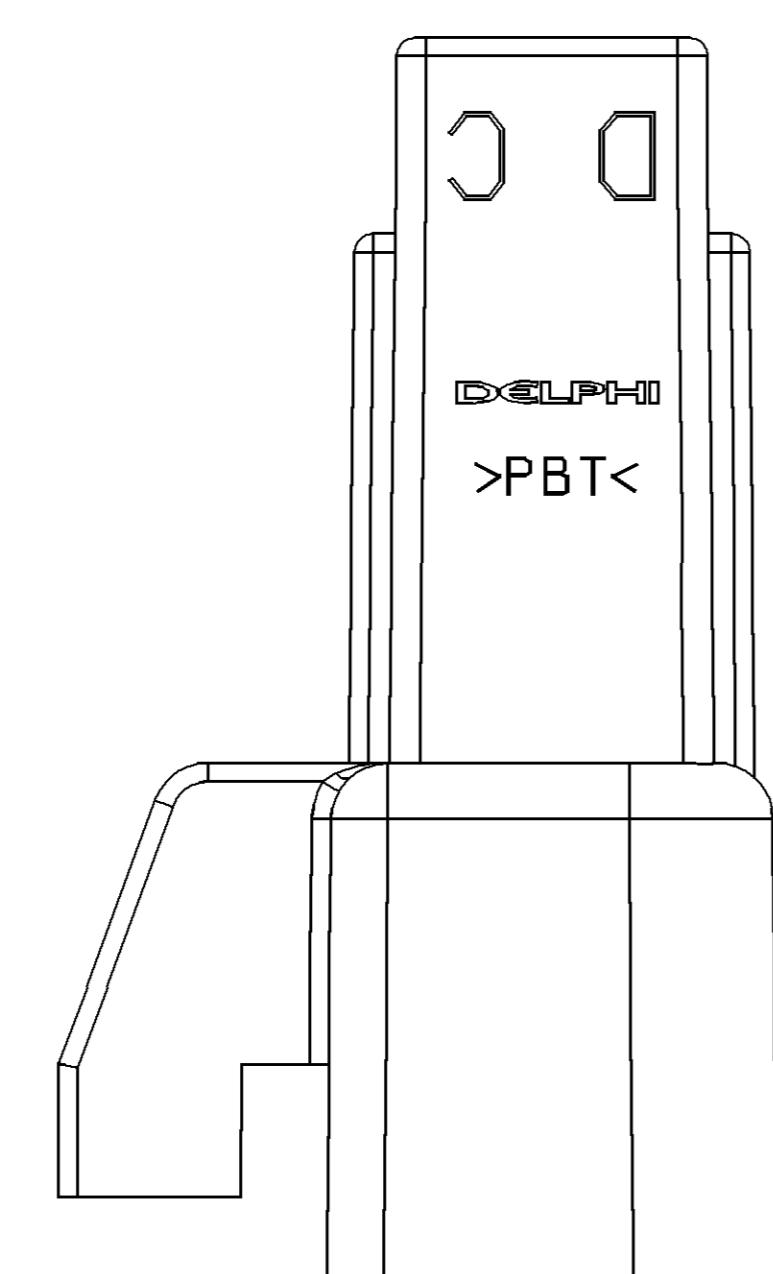


SYMBOL DEFINITION		MISSING NUMBERS		DWG STATUS		ZONE		REVISION HISTORY		AUTH	DR	AP/VD
THE NUMBER INSIDE THE SYMBOL () CORRESPONDS TO THE NUMBER ON THE INSPECTION REPORT FOR THIS DRAWING/PART NUMBER	TOTAL NO. OF SYMBOLS ON DRAWING			DATE	STG	REV	N/P	CHG				
	7			09DEC99	R	01	-	-	ALL PARTS REDRAWN	000009	DRR	DRR JR
	7			21MY03	R	02	-	-	ALL PARTS - ADDED NOTES (2 PLCS) AND REVISED MAT'L SPEC & PSD	239916	EGR	EGR GM
				28JUL03	R	03	-	-	ALL PARTS - UPDATED PDM ATTRIBUTES	243944	JYD	JYD GMC
				24SEP03	R	04	-	-	12191046 - OBSOLETE	245886	ADK	HAM RMD
				16DEC04	R	05	-	-	ALL ACTIVE PARTS - ADDED BLEND RADIUS 4 PLCS TO LOCK FEATURE	262587	RH	RH BG
				16MAY06	R	06	-	-	ALL ACTIVE PARTS-UPDATED PDM ATTRIBUTES	280077	RH	RH BDG
				08SEP06	R	07	-	-	12064761 - ADDED NOTES #4 & #5	284375	JS	JS BG



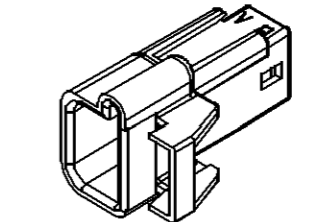
TYPE 101



TYPE 102
SAME AS TYPE 101
EXCEPT AS SHOWN

NOTES

- UNLESS OTHERWISE SPECIFIED AND/OR INDICATED: DIMENSIONS ARE TO FACE OF VIEW SHOWN AND AUTOMATICALLY ROUNDED BY COMPUTER FOR INSPECTION. (SEE MATH MODEL FOR PRECISE DIMENSIONS.) FOR ALL OTHER DIMENSIONS NOT SHOWN BUT REQUIRED FOR TOOL BUILD, SEE MATH MODEL FOR PRECISE TOOL PATH DATA. ALL RADII 0.5. DRAFT IS 0.5° ON ALL OUTSIDE SURFACES. LIKE CAVITIES ARE IDENTICAL.
- MATERIAL RECYCLING CODE >SEE CHART< PER SAE J1344. (2.31X(0.1)) RAISED CHARACTERS AS SHOWN TO BE LOCATED ON ANY EXTERIOR SURFACE. OPTIONAL CONSTRUCTION TO BE NO MATERIAL RECYCLING CODE.
- (2.31X(0.1)) RAISED DELPHI CORPORATE BRAND TO BE LOCATED ON ANY EXTERIOR SURFACE, PREFERABLY VISIBLE AT FINAL ASSEMBLY. OPTIONAL CONSTRUCTION TO BE "PED" OR NO LOGO.
- THIS PART ACCEPTS THE FOLLOWING COMPONENTS OR EQUIVALENT:
 - TERMINAL 15317765
 - SECONDARY TERMINAL LOCK 12047787
- THIS CONNECTOR LIMITED TO A MAX INSULATION CRIMP 3 HIGH AND 2.6 WIDE.



SCALE 1:1

12191046	A4	-	OBSOLETE	M3592006 - PA66 HS IM YEL	102	-	2.555
12064761	03	AB		M4695002 - PBT BLK	101	12064760	2.554
PART NO	REV	N/P	STATUS	MATERIAL SPECIFICATION AND COLOR	TYPE	MATING PART	VOLUME CM³

DIMENSIONAL RANGE (MM)		SHORT ET	
FROM	TO		
> 0	> 20	> 30	> 100
> 20	20 - 30	30 - 70	70 - 100
30 - 70	70 - 100	100 - 150	150 - 200
100 - 150	150 - 200	200 - 250	250 - 300
200 - 250	250 - 300	300 - 400	
TOLERANCE UNLESS OTHERWISE SPECIFIED			
±0.15	±0.2	±0.3	±0.4
±0.5	±0.6	±0.8	±1
±1	±1.2	±1.5	±2
ANGULAR TOLERANCE 2°			

PART DRAWING	
STYLE	
VOLUME (1/4)	DISTR CODE
SEE CHART	D
UNLESS OTHERWISE SPECIFIED	
THIS DOCUMENT IS IN ACCORDANCE WITH ASME Y14.9M-1994 AS MODIFIED BY THE IN CHARGE, DIMENSIONAL AND TOLERANCE ANALYSIS (DTA). ALL DIMENSIONS UNLESS OTHERWISE SPECIFIED SHALL BE PERFORMED FROM THE MFG EDGE NOT FROM THE RELATIONSHIP BETWEEN FEATURES. IS ESTABLISHED BY ORIENTATION OR LOCATION TOLERANCES. SPACED PARTITION CALLOUTS MAY BE SHOWN SEPARATELY, REGARDLESS OF DATUM REFERENCE. ALL DIMENSIONS ARE IN MILLIMETERS.	
THIRD ANGLE PROJECTION	DO NOT SCALE
USE MATH DATA	UNGRAPHS

DELPHI
DELPHI PACKARD ELECTRIC SYSTEMS
WYREN, OH

DR	DATE
APV01 G. HORCHLER	08AU95
APV02 J. WINGER	08AU95
APV03 G. RONCONE	22AU95
APV04	
APV05	

SUBSTANCES OF CONCERN AND RECYCLED CONTENT PER DELPHI 10949001

MATERIAL SEE CHART

DRAWING NAME
TAXI CONN M M/P 150

DRAWING NUMBER
12191043

SIZE	SCALE	FRAME NO	SHEET NO	REV	N/P
A0	5:1	1 OF 1	1 OF 1	R 07	-