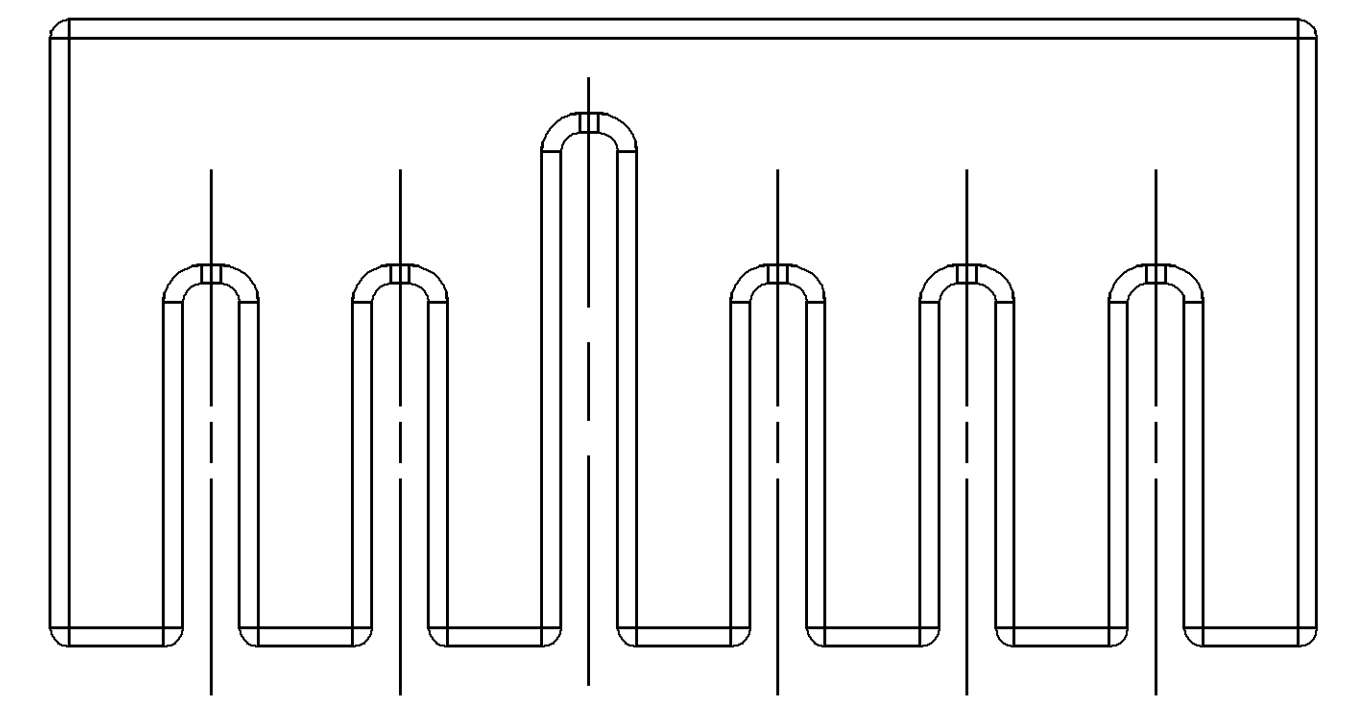
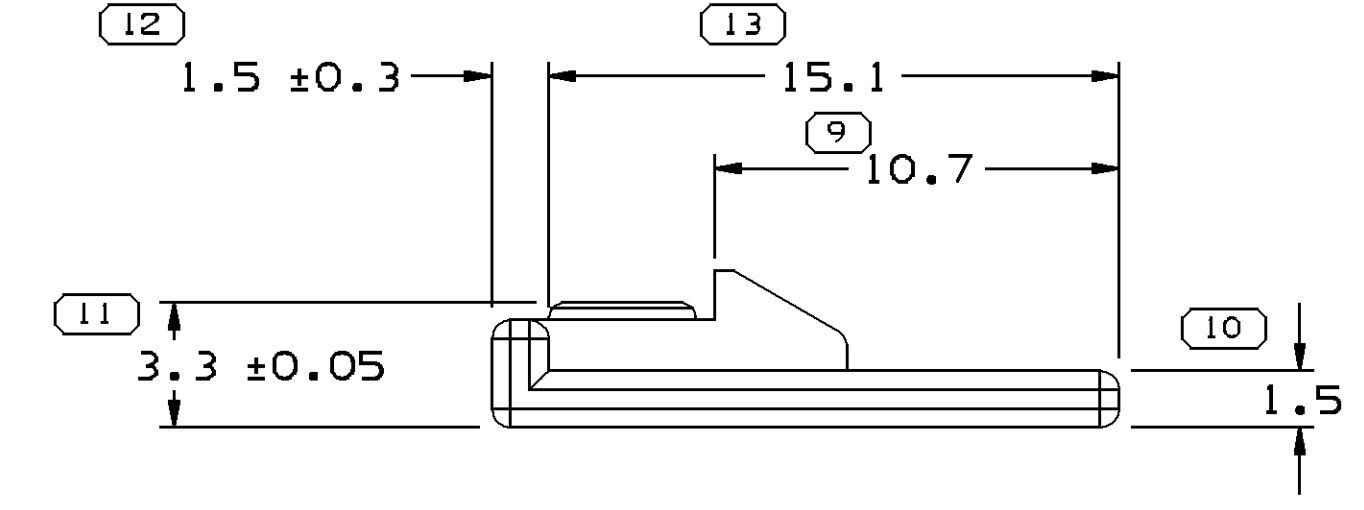
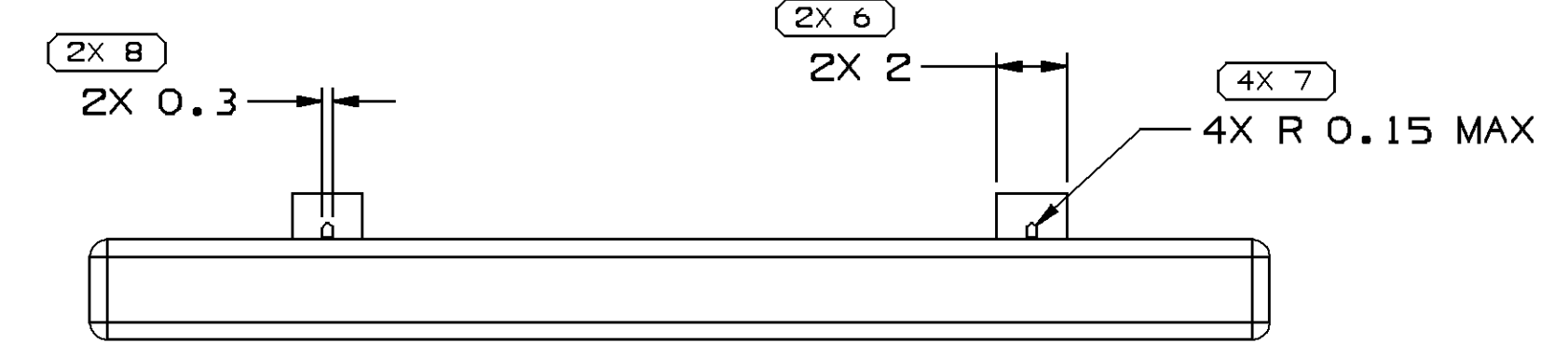
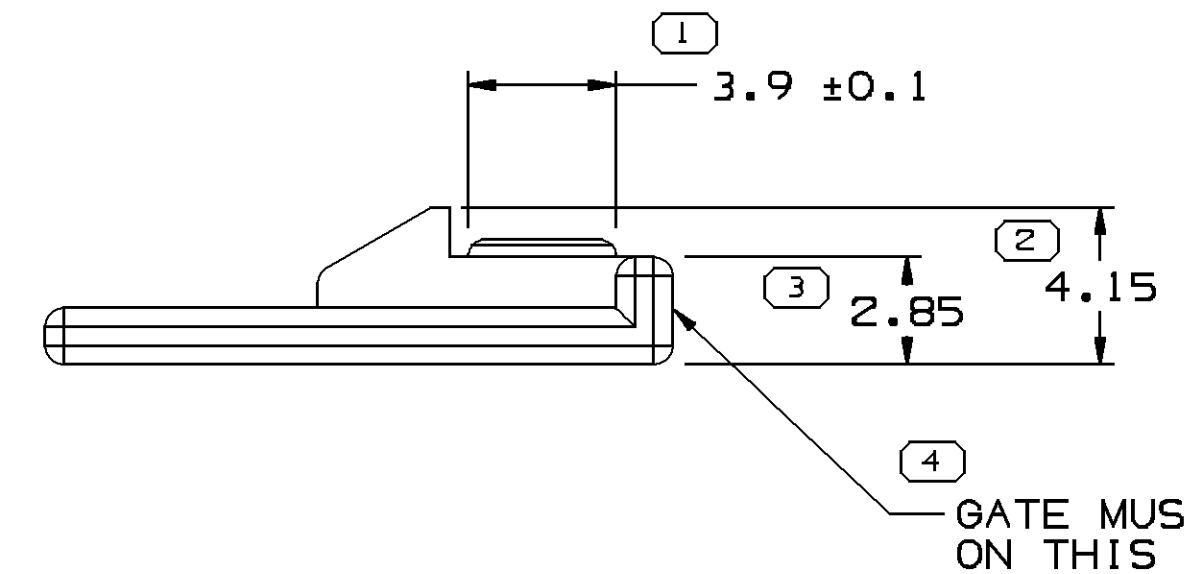
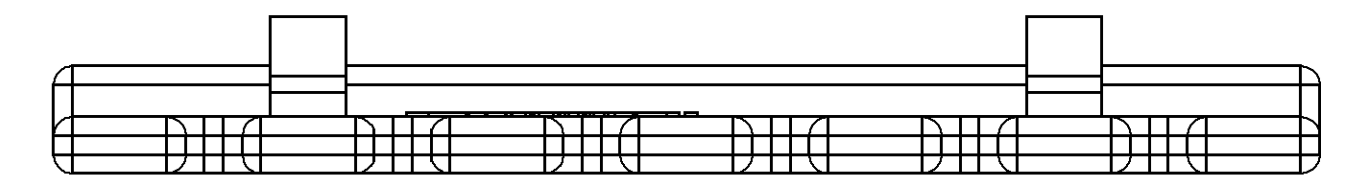
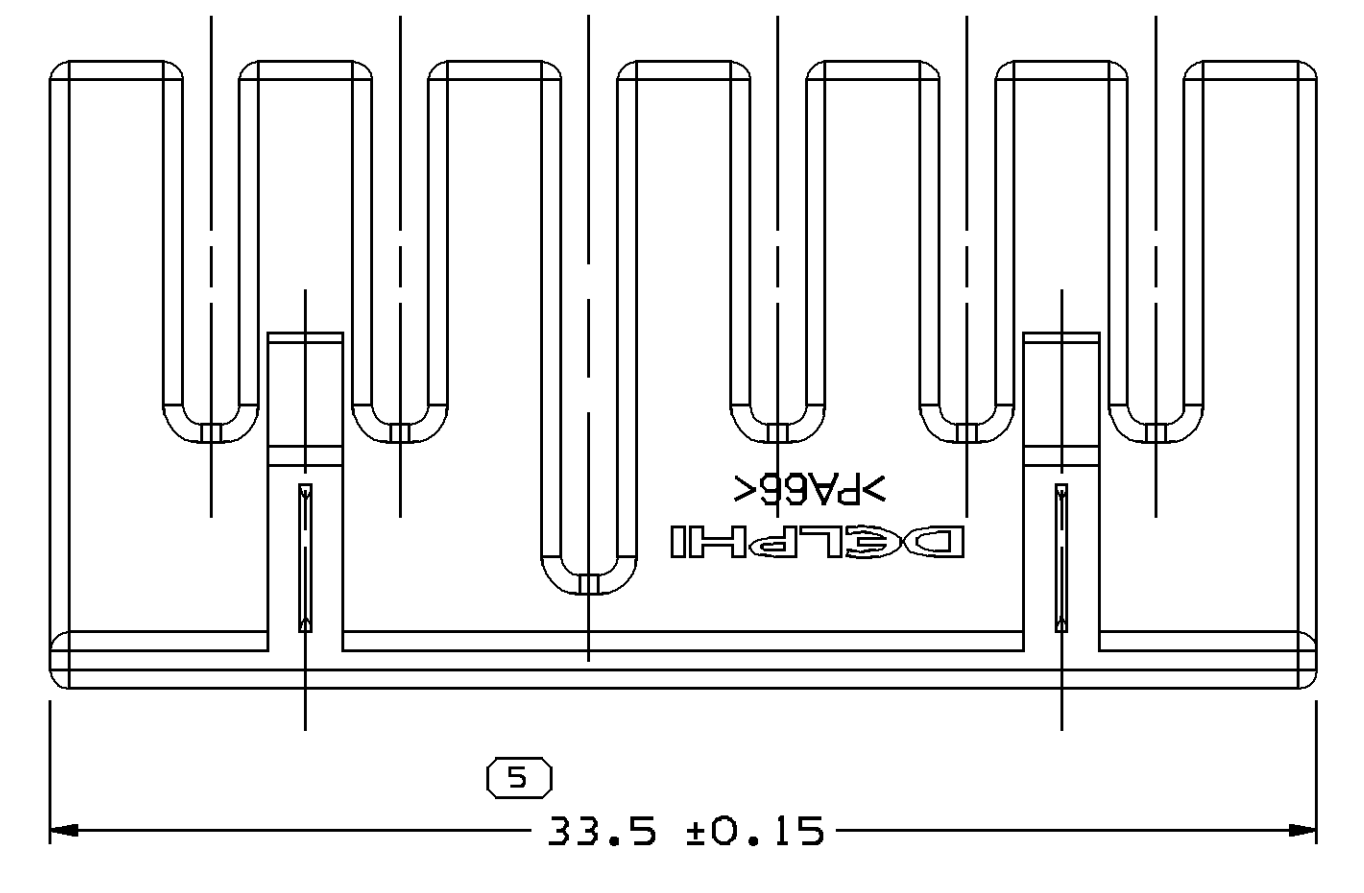
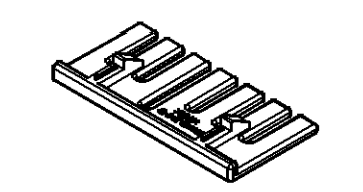


SYMBOL DEFINITION		MISSING SYMBOLS	
A DIMENSION WITHOUT AN INSPECTION REPORT SYMBOL () DOES NOT REQUIRE INSPECTION. IT MAY BE CONTROLLED ON THE INDIVIDUAL COMPONENT DRAWING.	TOTAL NO OF INSPECTIONS REQUIRED	NO MISSING SYMBOL NUMBER	
	18		
	LAST NO. USED		
	13		

DWG STATUS				REVISION HISTORY				AUTH	
DATE	STG	REV	N/P	CHG	ZONE	DESCRIPTION	DATE	BY	APP'D
17SE03	R	02	-	-	-	CREATED PD	246075	EGR	EGR
29MR06	R	03	-	-	-	MAT'L SPEC WAS M3592002	278571	CCV	JVM



- NOTES
- UNLESS OTHERWISE SPECIFIED AND/OR INDICATED: DIMENSIONS ARE TO FACE OF VIEW SHOWN AND AUTOMATICALLY ROUNDED BY COMPUTER FOR INSPECTION (SEE MATH MODEL FOR PRECISE DIMENSIONS). FOR ALL OTHER DIMENSIONS NOT SHOWN BUT REQUIRED FOR TOOL BUILD, SEE MATH MODEL FOR PRECISE TOOL PATH DATA.
 - MATERIAL RECYCLING CODE PER ISO 11469. (2.3)X(0.1) RAISED CHARACTERS AS SHOWN TO BE LOCATED ON ANY EXTERIOR SURFACE. OPTIONAL CONSTRUCTION TO BE NO MATERIAL RECYCLING CODE.
 - THIS PART IS NOT CONTROLLED FOR AUTOMATIC FEEDING.
 - REFERENCE MATING COMPONENTS OR EQUIVALENT: CONNECTOR 12052854
 - (2.3)X(0.1) RAISED DELPHI CORPORATE BRAND TO BE LOCATED ON ANY EXTERIOR SURFACE, PREFERABLY VISIBLE AT FINAL ASSEMBLY. OPTIONAL CONSTRUCTION TO BE "PED" OR NO LOGO.



Dwg TYPE PART DRAWING																			
STYLE																			
VOLUME 10/11	DISTR CODE D																		
0,790																			
UNLESS OTHERWISE SPECIFIED THIS DOCUMENT IS IN ACCORDANCE WITH ASME Y14.5M-1994 AS MODIFIED BY THE M SI UNITS DIMENSIONAL SYSTEM AND TOLERANCE ADMINISTRATION. SEPARATE NOTATIONS OF FEATURES MAY BE BASED SEPARATELY PER RULES OF DIMENSIONAL REFERENCES.																			
ALL DIMENSIONS ARE IN MILLIMETERS																			
REFERENCE																			
<table border="1"> <thead> <tr> <th>DIMENSIONAL RANGE (MM)</th> <th>SHORT ET</th> </tr> </thead> <tbody> <tr> <td>FROM > 0</td> <td>> 30</td> </tr> <tr> <td>> 30</td> <td>> 70</td> </tr> <tr> <td>> 70</td> <td>> 100</td> </tr> <tr> <td>> 100</td> <td>> 150</td> </tr> <tr> <td>> 150</td> <td>> 200</td> </tr> <tr> <td>> 200</td> <td>> 250</td> </tr> <tr> <td>> 250</td> <td>> 300</td> </tr> <tr> <td>> 300</td> <td>> 400</td> </tr> </tbody> </table>		DIMENSIONAL RANGE (MM)	SHORT ET	FROM > 0	> 30	> 30	> 70	> 70	> 100	> 100	> 150	> 150	> 200	> 200	> 250	> 250	> 300	> 300	> 400
DIMENSIONAL RANGE (MM)	SHORT ET																		
FROM > 0	> 30																		
> 30	> 70																		
> 70	> 100																		
> 100	> 150																		
> 150	> 200																		
> 200	> 250																		
> 250	> 300																		
> 300	> 400																		
DIMENSIONS ENCLOSED IN () INDICATE REFERENCE DIMENSIONS AND NO TOLERANCE LIMITS ARE ESTABLISHED																			
DIMENSIONS UNLESS OTHERWISE SPECIFIED																			
±0.15	±0.2																		
±0.3	±0.4																		
±0.5	±0.6																		
±0.8	±1.0																		
±1.2	±1.6																		
ANGULAR TOLERANCE 30°																			

DELPHI
DELPHI PACKARD ELECTRIC SYSTEMS
WARREN, OH

DR	DATE
APV01 E. GARCIA	17SE03
APV02 E. GARCIA	17SE03
APV03 E. TRACEY	17SE03
APV04	
APV05	

SUBSTANCES OF CONCERN AND RECYCLED CONTENT PER DELPHI 10949001

MATERIAL: M3592024 P666 HS 1M CRM

DRAWING NAME
LOCK SECONDARY TPA M/P CRM

DRAWING NUMBER
12124811

SIZE	SCALE	FRAME NO	SHEET NO	STG	REV	N/P
A0	5:1	1	1	1	R	03