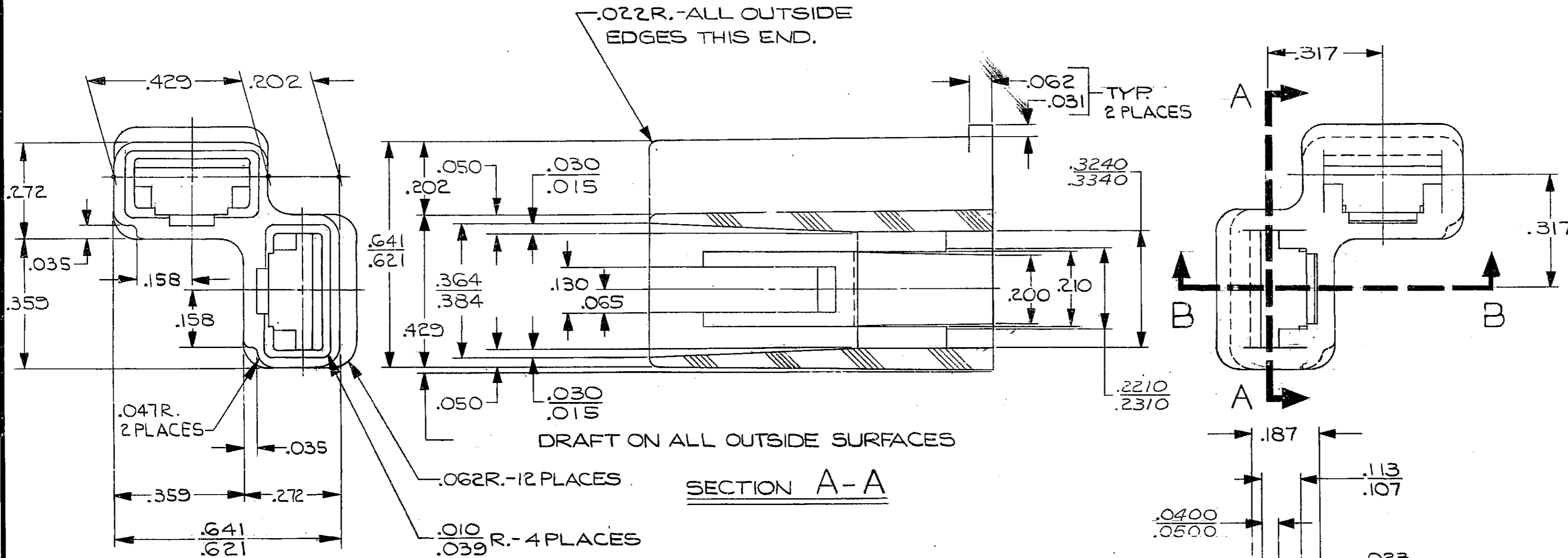
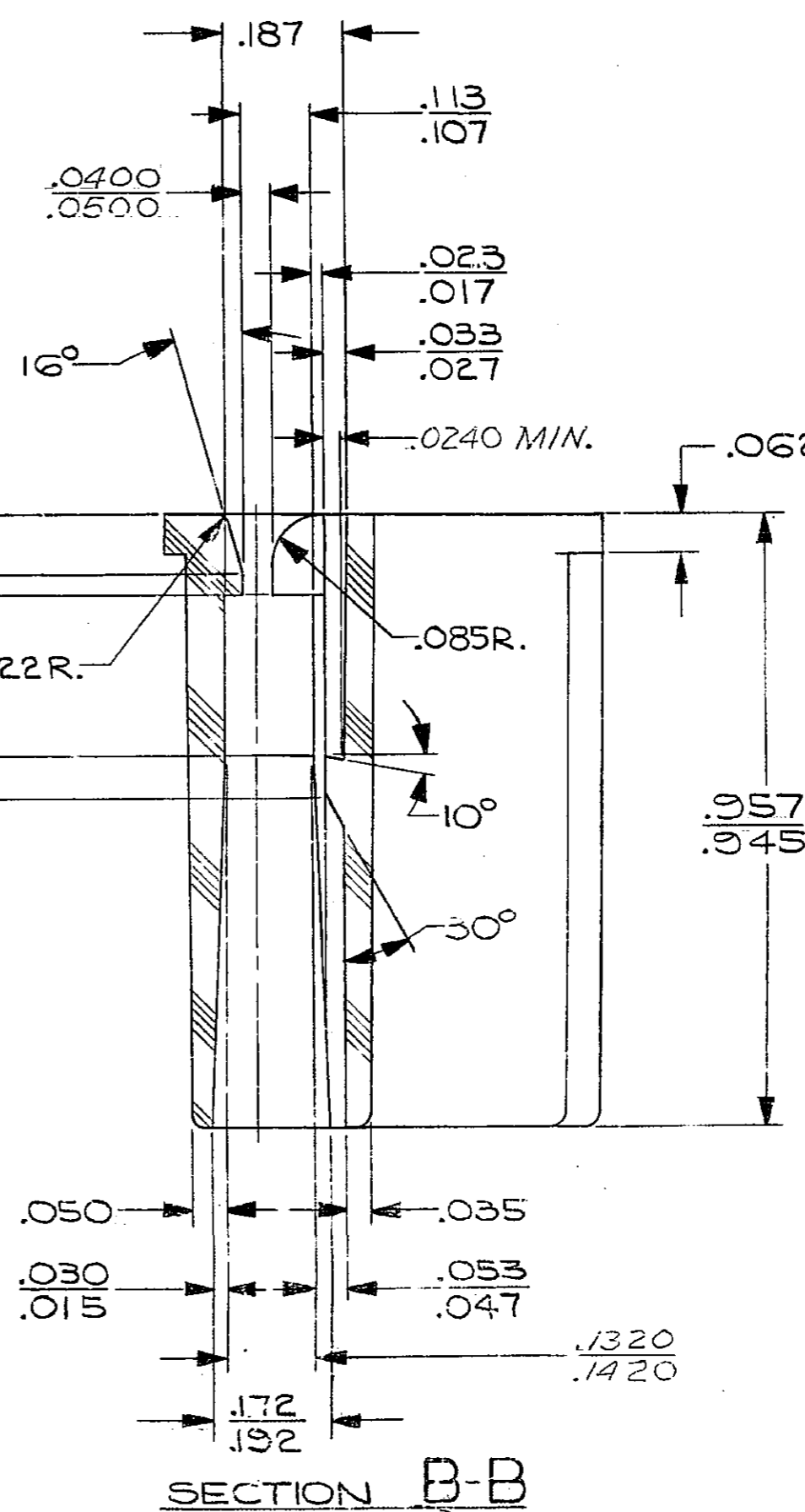


DO NOT SCALE
 THIS DRAWING AND DESIGN HEREON CONSTITUTES A PROPRIETARY DESIGN OF PACKARD ELECTRIC DIVISION AND IS NOT TO BE DUPLICATED OR REPRODUCED WITHOUT AUTHORITY OF PACKARD ELECTRIC DIVISION.

DATE	SYM	REVISION RECORD	C/N NO.
11-24-64	H	REDRAWN WITHOUT CHANGE	18581
9-20-65	J	MAT'L SPEC. WAS PM-661-006 TAN ON 2962910	21808
10-13-66	K	6288951 ADDED	
4-10-70	CD	Q.C. SPEC. ADDED & STANDARDIZED DIMS.	38988
8-24-72	∞	2973385-MAT'L SPEC. WAS R-61354	47326
7-24-73	-	6288951-MAT'L SPEC. WAS M-661-004	50405 RK
11-11-77	-	2973385-STAMPED NOTE REMOVED FROM "REMARKS" COLUMN	64234 Jm
01DE04	-	ADDED LOGO & MAT'L RECYCLING CODE NOTES REVISED MAT'L SPEC	261649 AK ET



SECTION A-A



SECTION B-B

DRAFT ON ALL OUTSIDE SURFACES

NO FLASH PERMISSIBLE IN THIS AREA.

NOTES

1. ALL RADII .015, UNLESS OTHERWISE SPECIFIED. BOTH CAVITIES ARE IDENTICAL. DIMENSIONS ARE TO FACE OF VIEW SHOWN, UNLESS OTHERWISE INDICATED.
2. (2.3)X(0.1) DELPHI CORPORATE BRAND TO BE LOCATED ON ANY EXTERIOR SURFACE, PREFERABLY VISIBLE AT FINAL ASSEMBLY. OPTIONAL CONSTRUCTION TO BE "PED" OR NO LOGO.
3. MATERIAL RECYCLING CODE PER ISO 11469. (2.3)X(0.1) CHARACTERS AS SHOWN TO BE LOCATED ON ANY EXTERIOR SURFACE. OPTIONAL CONSTRUCTION TO BE NO MATERIAL RECYCLING CODE

PART NO.	REV	STATUS	MAT'L SPEC.	REMARKS
06288951	11		M2097004 PP IM RED	
02973385	11		M2097001 PP IM BLK	
02973061	K1	OBSOLETE	PM-592-001 BLK	USE 2973385
02962910	11		M2097002 PP IM NAT	

PART NO. **2962865** SIZE **C**

C06D1304

O.D. (SIZE) **A**

CODE NO. 6900	TOLERANCE UNLESS OTHERWISE SPECIFIED DECIMAL ± .005 FRACTIONAL ± ANGULAR ± 2°
Q.C.-C-4055	DR. E. MEGOWAN
DWG. DATE 7-15-58	SCALE 4:1
ROUTING DEPT. OUTST. REFERENCE	CK. <i>Est 1-6-65</i> APPR. APPR.
DESIGN #237	APPR. <i>R.D. Kearns</i>
MATERIAL SPEC.	CODE NO.
SEE DWG.	
NAME CONN. BODY '56 SERIES 2 FEMALE TERMINALS	
PART NO. 2962865	SIZE C

PACKARD ELECTRIC DIVISION
 GENERAL MOTORS CORPORATION
 WARREN, OHIO

2371-A
 O
 2274-A
 2252-A
 304
 311
 PEC-A
 OSH-A
 63-A
 74-A
 311-A
 1174-A
 350A
 1374-A
 374-A
 552-A
 330A
 240-A

12-A
19-A
20-A