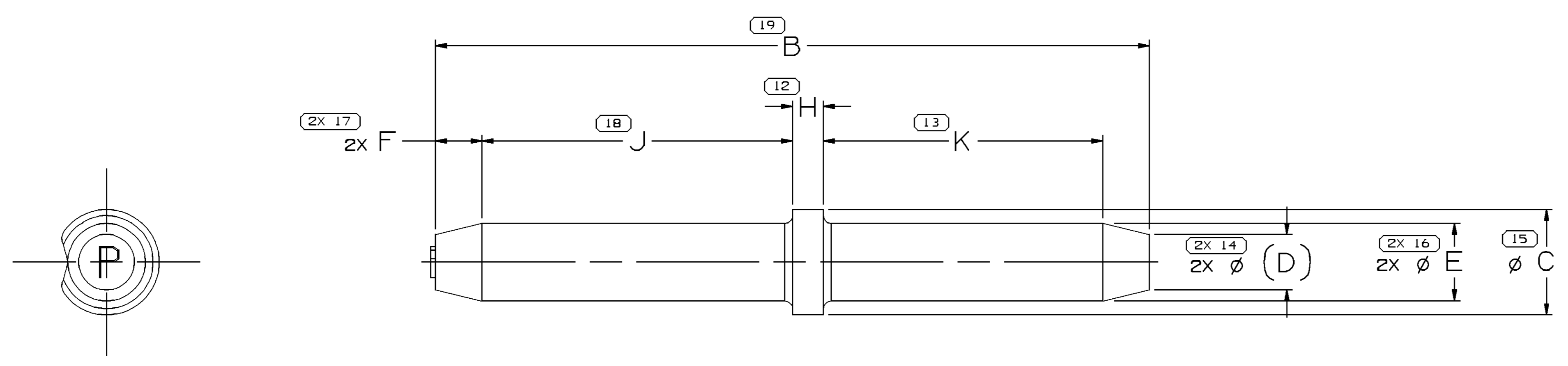
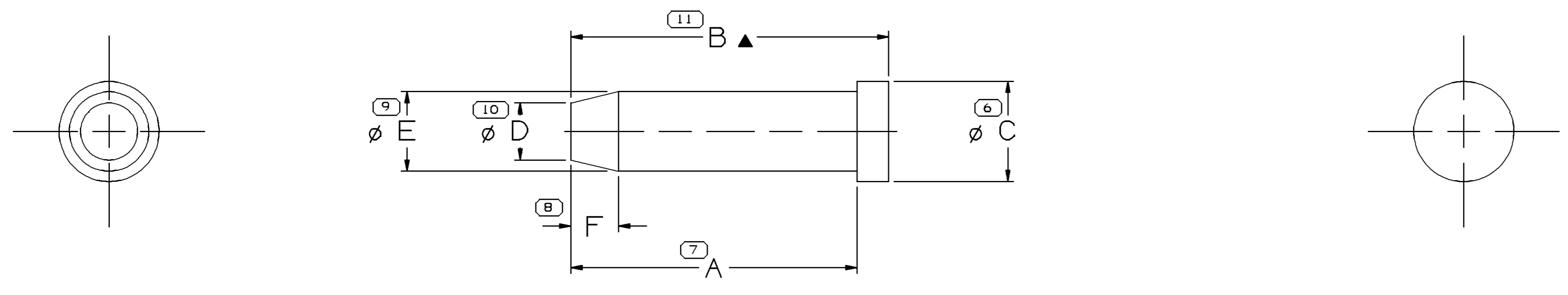
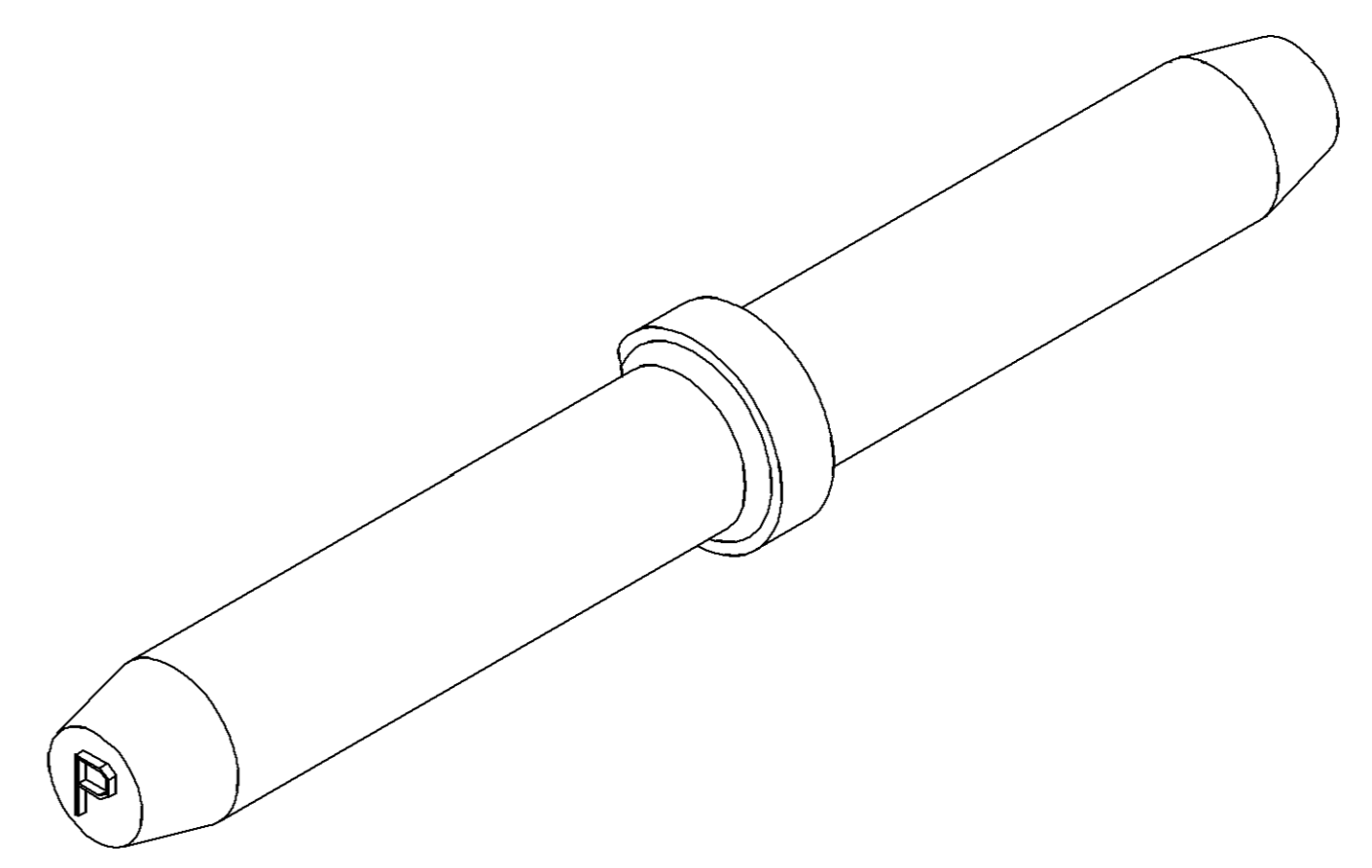


SYMBOL DEFINITION		TOTAL NO OF INSPECTIONS REQUIRED	22
A DIMENSION WITHOUT AN INSPECTION REPORT SYMBOL DOES NOT REQUIRE INSPECTION. IT MAY BE CONTROLLED ON THE INDIVIDUAL COMPONENT DRAWING.		LAST NO. USED	19

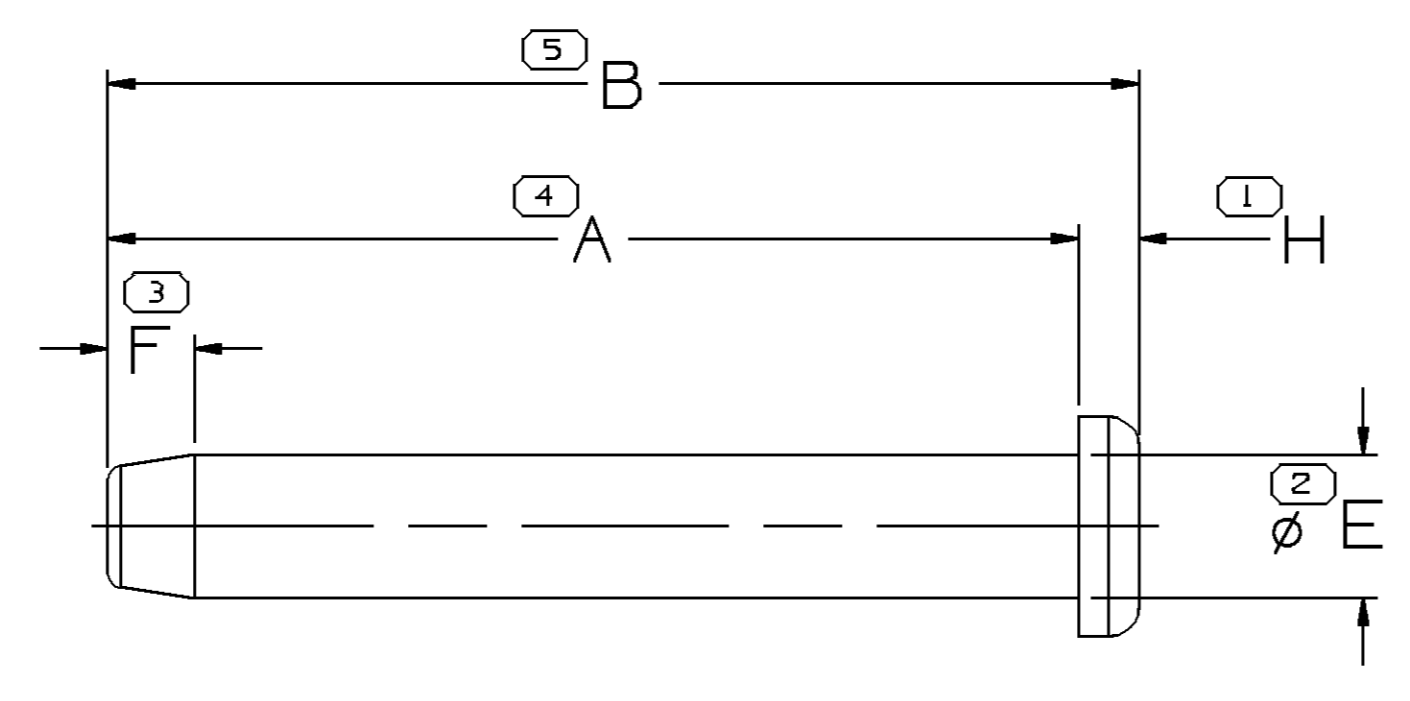
MISSING SYMBOLS		NO MISSING SYMBOL NUMBER		DATE		REV		ZONE		REVISION HISTORY		AUTH		DR		AP/VD	
20AU03	R	01	-	-	2003	01	-	-	-	CREATED PD		244667	JGR	JGR	60	1	2
15FE05	R	02	-	-	2005	02	-	-	-	ALL ACTIVE PARTS - ADDED NOTE #3 & DRAWING NAME		264188	MJM	MJM	ET	M	
20JN05	R	03	-	-	2005	03	-	-	-	ALL ACTIVE PARTS - UPDATED ECL		269035	RTV	JVM	BDG		
26AU05	R	04	-	-	2005	04	-	-	-	12129557 - ADDED OPTIONAL CONSTRUCTION & 15318164 - WAS SEPARATE DWG		271214	JTZ	FRG	MB		
30SE05	R	05	-	-	2005	05	-	-	-	13544665 - RELEASED		273166	JS	JS	MR		
27FE06	R	06	-	-	2006	06	-	-	-	12065266 - CORRECTED DIM A LOCATION ON TYPE 102		277922	HC8	FRG	MR		
08MY07	R	07	-	-	2008	07	-	-	-	ALL ACTIVE PARTS - UPDATED PDM ATTRIBUTES		401296	MM	MM	SS		



TYPE 101
ALL METRI-PACK PULL TO SEAT
-HAND INSERTION ONLY-



TYPE 102
ALL METRI-PACK PULL TO SEAT
-MACHINE INSERTION ONLY-



TYPE 103
ALL MICRO-PACK 100W
-HAND INSERTION ONLY-

OPTIONAL CONSTRUCTION

- NOTES
- UNLESS OTHERWISE SPECIFIED AND/OR INDICATED:
DIMENSIONS ARE TO FACE OF VIEW SHOWN AND AUTOMATICALLY ROUNDED BY COMPUTER FOR INSPECTION (SEE MATH MODEL FOR PRECISE DIMENSIONS). FOR ALL OTHER DIMENSIONS NOT SHOWN BUT REQUIRED FOR TOOL BUILD, SEE MATH MODEL FOR PRECISE TOOL PATH DATA.
 - THIS PART IS CONTROLLED FOR AUTOMATIC FEEDING AS DENOTED ON DRAWING WITH ▲.
 - REFERENCE MATING COMPONENTS OR EQUIVALENT:
SEAL SEE CHART

PART NO	REV	N/P	STATUS	MATERIAL SPECIFICATION AND COLOR	TYPE	A	B	∅C	∅(D)	∅E ± 0.1	F	G _{MAX}	H	J	K	MATING SEAL	CABLE RANGE	VOLUME
13544665	01	AA	-	POLYBUTYLENE TEREPHTHALATE-BLU LT	103	12.85	13.65	2.9+/-0.1	-	1.9+/-0.15	1.15	9	0.8	-	-	12146093	1.47/2.12	0.040
15318164	A1	-	-	POLYAMIDE - BLUE	103	12.85	13.65	2.5+0.0/-0.1	-	1.9+/-0.1	1.15	9	0.8	-	-	15355191	1.47/1.83	-
12129557	D8	-	-	POLYAMIDE - BLUE	103	12.85	13.65	2.9+/-0.1	-	1.9+/-0.15	1.15	9	0.8	-	-	12146093	1.47/2.12	0.040
12110732	A	-	OBSOLETE	POLYAMIDE - RED	102	9	10▲	3.15▲	2.2	2.9	1.5+0.2/-0.15	1.5	-	-	-	12034364	2.5/3.3	-
12065266	C10	-	-	POLYAMIDE - GRAY MD	102	9	10▲	3.15▲	1.8	2.5	1.5+/-0.3	1.5	-	-	-	12064810	2/2.4	0.050
12034413	C10	-	-	POLYAMIDE - BLACK	101	-	23+/-0.3	3.4+/-0.2	1.8	2.5	1.5+/-0.3	1.25	1	10	9	12064810	2/4	0.113

DIMENSIONAL RANGE (MM)	TOLERANCE
FROM > 0	> 20
TO 20	± 0.2
> 20	± 0.3
> 30	± 0.4
> 100	± 0.5
> 150	± 0.6
> 200	± 0.8
> 250	± 1.0
> 300	± 1.2
> 400	± 1.5

DWG TYPE	PART DRAWING
STYLE	
VOLUME 10/11	DISTR CODE
UNLESS OTHERWISE SPECIFIED	
THIS DOCUMENT IS IN ACCORDANCE WITH ASME Y14.5M-1994 AS AMENDED BY THE IN-SITU DIMENSIONING AND TOLERANCE ADDENDUM-2001. SEPARATE WRITINGS OF FEATURES MAY BE BASED SEPARATELY REGARDLESS OF DIMENSION REFERENCES.	
ALL DIMENSIONS ARE IN MILLIMETERS	
THIRD ANGLE PROJECTION	
DO NOT SCALE	
USE MATH DATA	

DELPHI
DELPHI PACKARD ELECTRICAL/ELECTRONIC ARCHITECTURE
WYREN, OH

DR	DATE
APV01 J.GAVALDON	20AU03
APV02 J.GAVALDON	20AU03
APV03 G.ORANTES	22AU03
APV04	

SUBSTANCES OF CONCERN AND RECYCLED CONTENT PER DELPHI 10949001

MATERIALS SEE CHART

DRAWING NAME
TAXI SEAL CBL 1W HOLE PLUG

DRAWING NUMBER
12110800

SIZE A0 SCALE 10:1 FRG NO 1 OF 1 SHEET NO 576 REV N/P 07 -