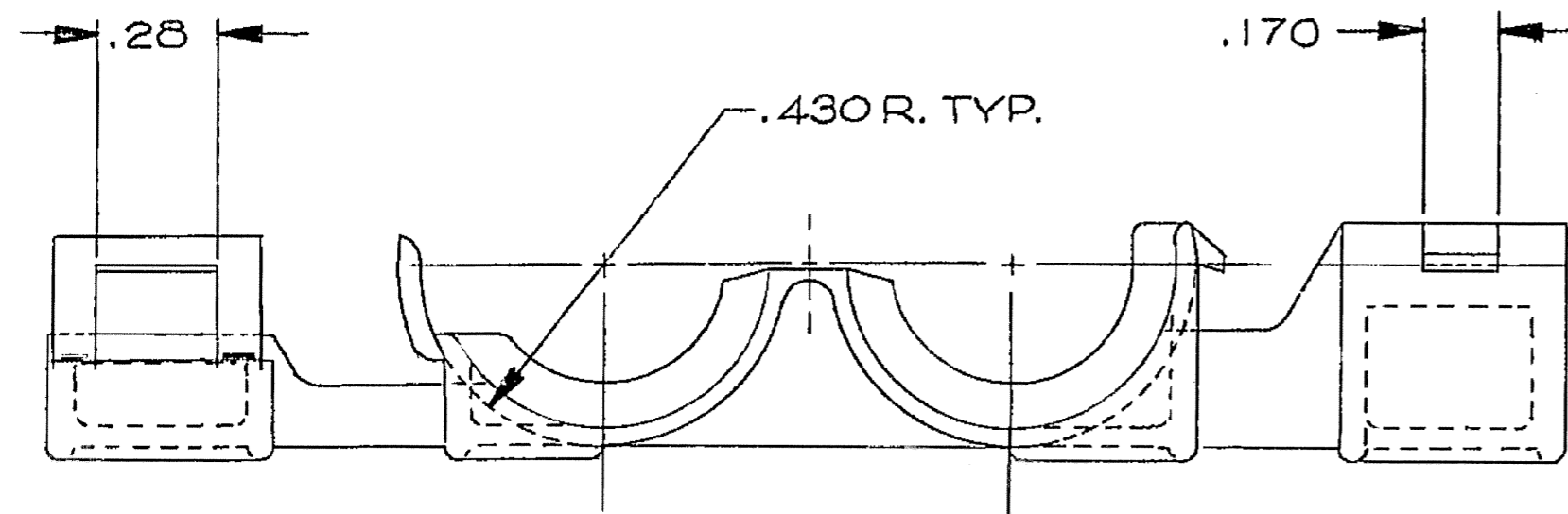
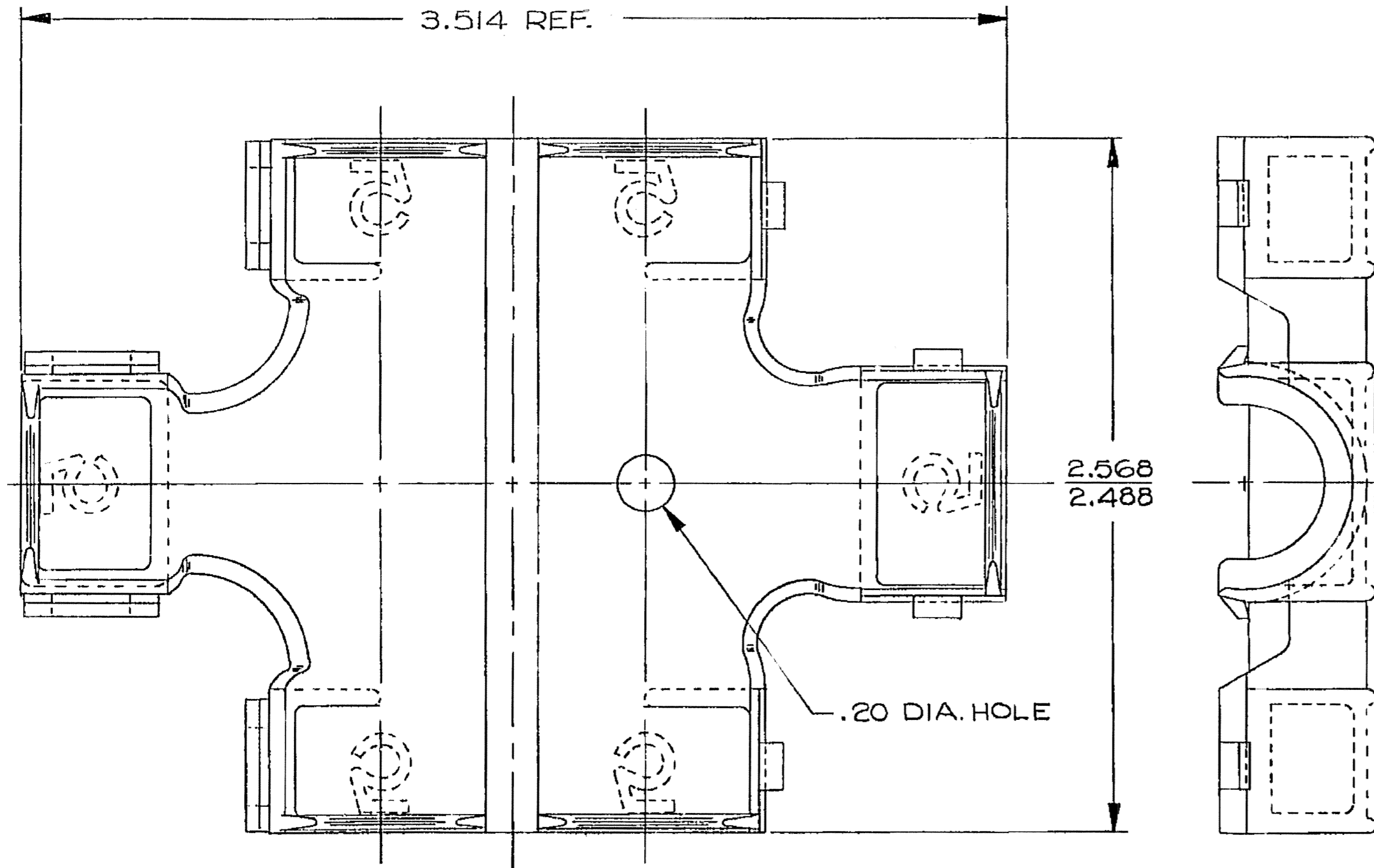


DWG STATUS					ZONE	REVISION HISTORY	AUTH	DR	APVD 1	APVD 2
DATE	STG	REV	N/P	CHG						
19AU74		A				PART NO. 8917624 WAS EX-62024 (2 PLCS.) & RELEASED	54605	ED	TM	
10AP87		-				REVISED NAME	112905	SM	JC	
16N004	R	02	-	-		MATERIAL WAS R-61354	261280	MJM	MJM	ET



NOTES

- MATERIAL RECYCLING CODE PER SAE J1344. (.118)X(.004) RAISED CHARACTERS AS SHOWN TO BE LOCATED ON ANY EXTERIOR SURFACE. OPTIONAL CONSTRUCTION TO BE NO MATERIAL RECYCLING CODE.
- (.188)X(.004) RAISED DELPHI CORPORATE BRAND TO BE LOCATED ON ANY EXTERIOR SURFACE, PREFERABLY VISIBLE AT FINAL ASSEMBLY. OPTIONAL CONSTRUCTION TO BE "PED" OR NO LOGO.
- FOR USE ON .493 I.D. CONVOLUTED CONDUIT.

TOLERANCE UNLESS OTHERWISE SPECIFIED
 DECIMAL: ANGULAR ±2°
 TWO PLACE ±.01
 THREE PLACE ±.005

DWG TYPE		PART DRAWING	
STYLE			
VOLUME (CM ³)	DISTR CODE		
	D		
UNLESS OTHERWISE SPECIFIED			
THIS DOCUMENT IS IN ACCORDANCE WITH ASME Y14.5M-1994 AS AMENDED BY THE GM GLOBAL DIMENSIONING AND TOLERANCING ADDENDUM - 1997. ALL GEOMETRIC TOLERANCES AND RELATED DATUMS APPLY RFS. RULE #1 (PERFECT FORM AT MMC) DOES NOT APPLY WHEN RELATIONSHIP BETWEEN FEATURES IS ESTABLISHED BY ORIENTATION OR LOCATION TOLERANCES. SEPARATE POSITION CALLOUTS MAY BE GAGED SEPARATELY, REGARDLESS OF DATUM REFERENCE. ALL DIMENSIONS ARE IN INCHES			
REFERENCE			
THIRD ANGLE PROJECTION		DO NOT SCALE	
USE MATH DATA		UNIGRAPHICS	

DELPHI

DELPHI PACKARD ELECTRIC SYSTEMS
WARREN, OH

		DATE
DR		
APVD1	E. DECKER	19AU74
APVD2	T. MUDREY	29AU74
APVD3	E. V. MCGOWAN	04SE74
APVD4		
APVD5		
SUBSTANCES OF CONCERN AND RECYCLED CONTENT PER DELPHI 10949001		
MATERIAL M2097001 PP 1M BLK		
DRAWING NAME COND CDT-FIT TEE BLK		
DRAWING NUMBER 08917624		
SIZE	SCALE	FRAME NO
A2	NTS	1 OF 1
SHEET NO	STG	REV
1 OF 1	R	02
N/P		
		-

ac: cz10wg
 p: 08917624-CUS01-S01 Date: 16-Nov-04 Time: 13:20
 Page: 1