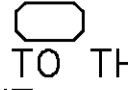
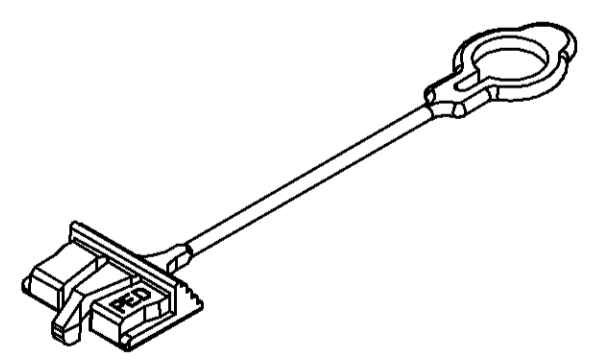
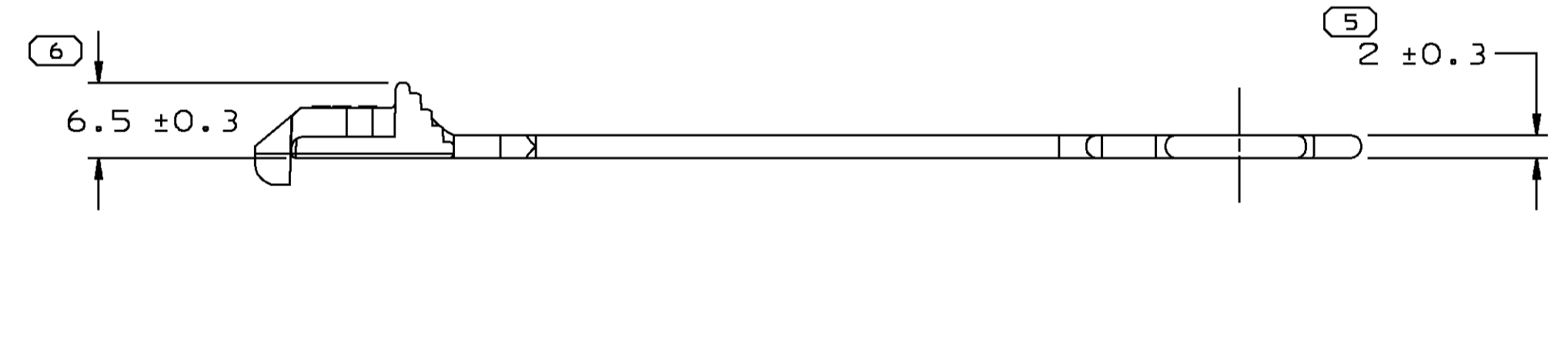
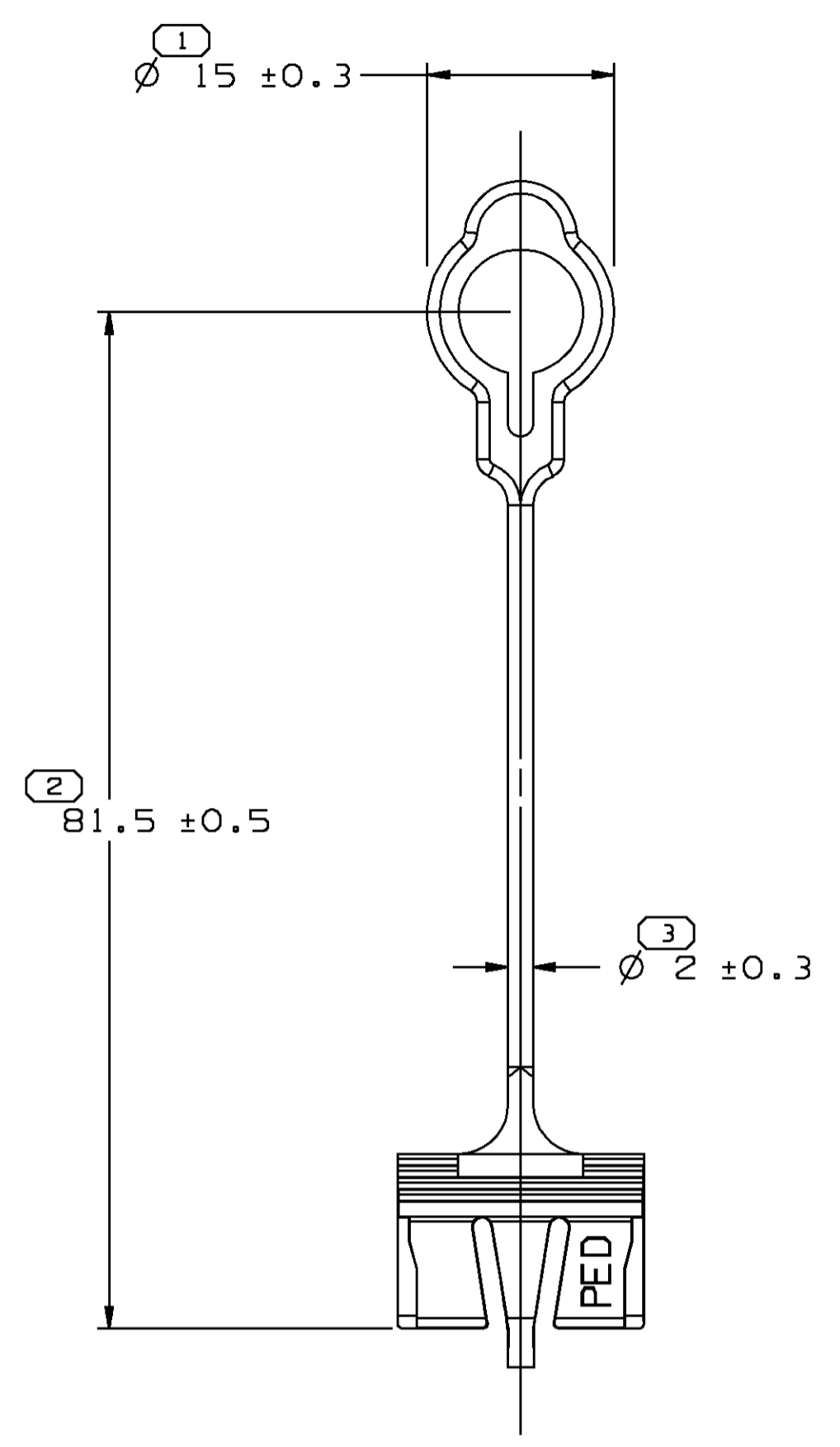


DO NOT SCALE

DELPHI PACKARD ELECTRIC SYSTEMS
WARREN, OHIO 44166


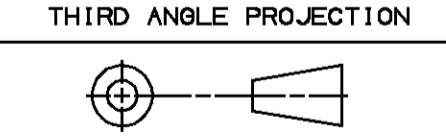
PART NO
1212 9551

SYMBOL DEFINITION		MISSING NUMBERS		DATE	SYM	REVISION RECORD		AUTH	DR	CK
THE NUMBER INSIDE THE SYMBOL  CORRESPONDS TO THE NUMBER ON THE INSPECTION REPORT FOR THIS DRAWING/PART NUMBER	TOTAL NO. OF SYMBOLS ON DRAWING	6		06AP99	G3	CREATED PD;	REMOVED NOTE	193519	DA	ACMP
	LAST NO. USED	6								



- NOTES:
- UNLESS OTHERWISE SPECIFIED AND/OR INDICATED: DIMENSIONS ARE TO FACE OF VIEW SHOWN AND AUTOMATICALLY ROUNDED BY COMPUTER FOR INSPECTION. (SEE MATH MODEL FOR PRECISE DIMENSIONS.) FOR ALL OTHER DIMENSIONS NOT SHOWN BUT REQUIRED FOR TOOL BUILD, SEE MATH MODEL FOR PRECISE TOOL PATH DATA.
 - FOR MATING INFORMATION SEE TBD.

PART NO
1212 9551

PART DRAWING		
 CODE NO 6900 DWG DATE 01AU91 SCALE 2:1 REFERENCE NO 001,701 MATERIAL SPEC R0071786 PA66 HS IM-RED NAME CPA AXIAL STRAP PART NUMBER 1212 9551 SIZE A1	THIRD ANGLE PROJECTION  METRIC DIMENSIONS ARE IN MILLIMETERS UNLESS OTHERWISE SPECIFIED	
	DR D. ACEVEDO 06AP99	CK C. MIRANDA 28AP99
	APPR R. CORZAS 04MY99	VOL CM ³ 1,309

5 PROCESS SENSITIVE DIMENSION	
DIMENSIONS ENCLOSED IN () INDICATE REFERENCE DIMENSIONS AND NO TOLERANCE LIMITS ARE ESTABLISHED	
DIMENSIONAL RANGE	
FROM	TO
0	> 20
> 20	> 30
> 30	> 70
> 70	> 100
> 100	> 1000
TOLERANCE UNLESS OTHERWISE SPECIFIED	
± 0.15 ± 0.2 ± 0.3 ± 0.4 ± 0.5	
ANGULAR TOLERANCE ± 2°	