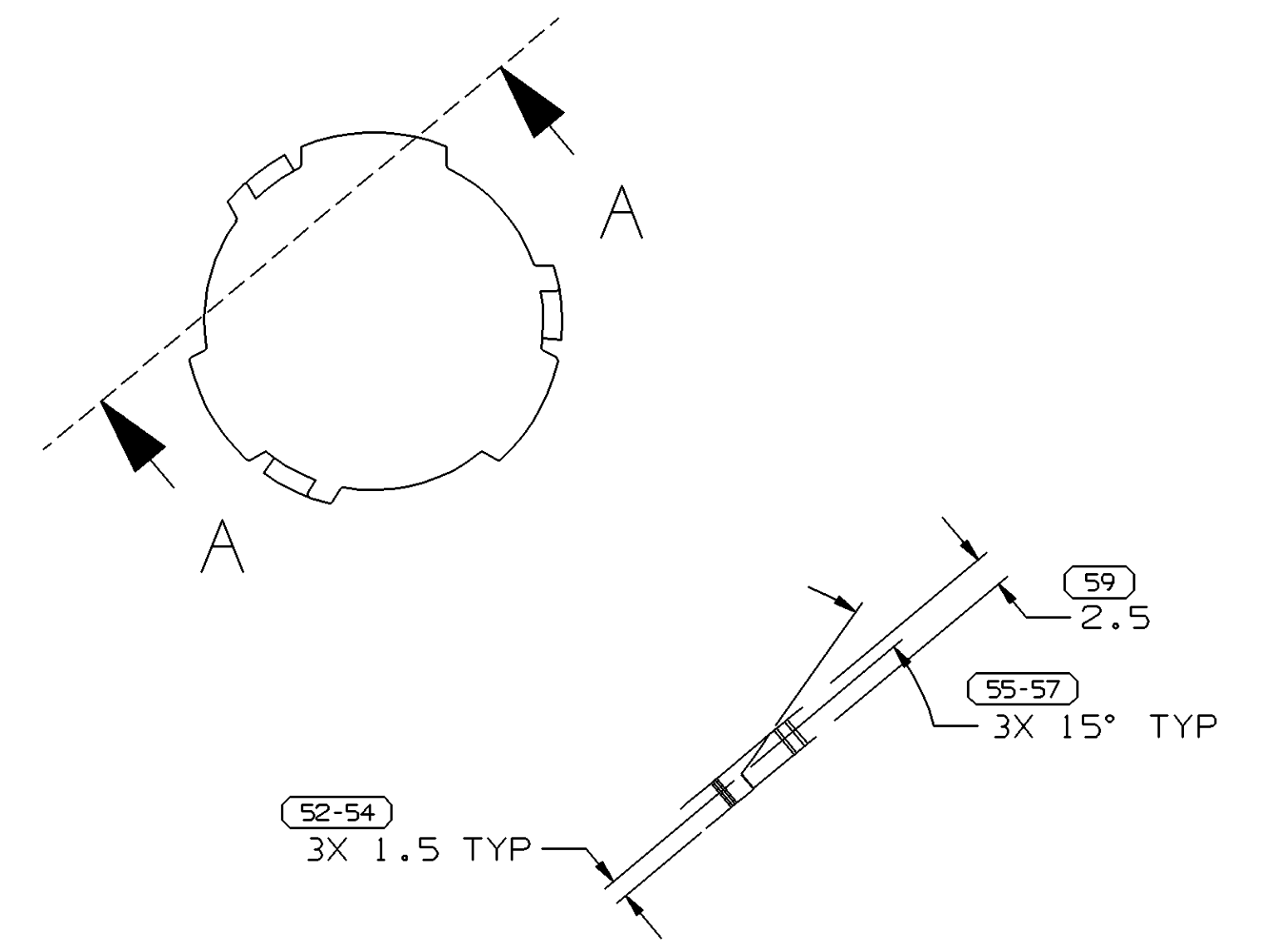
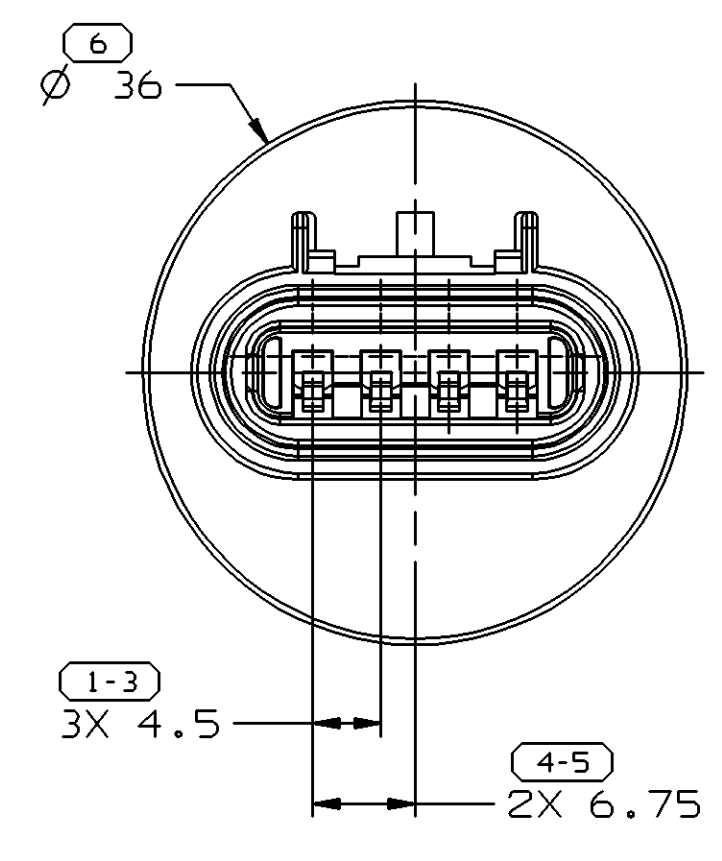
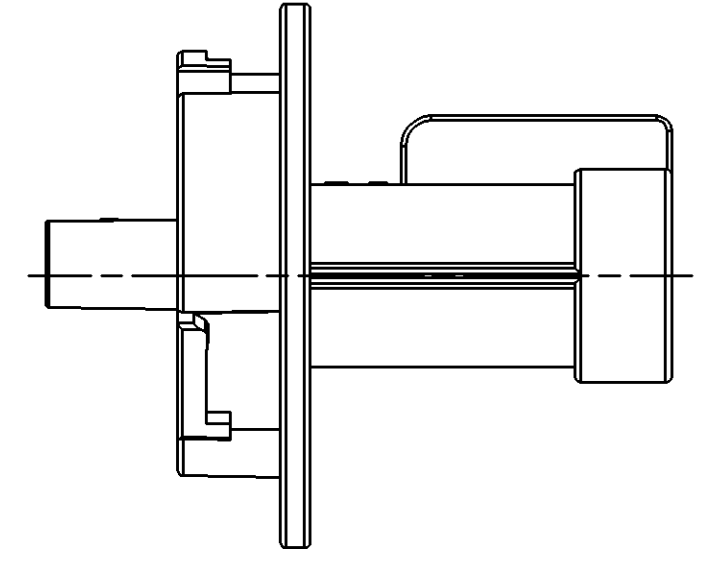
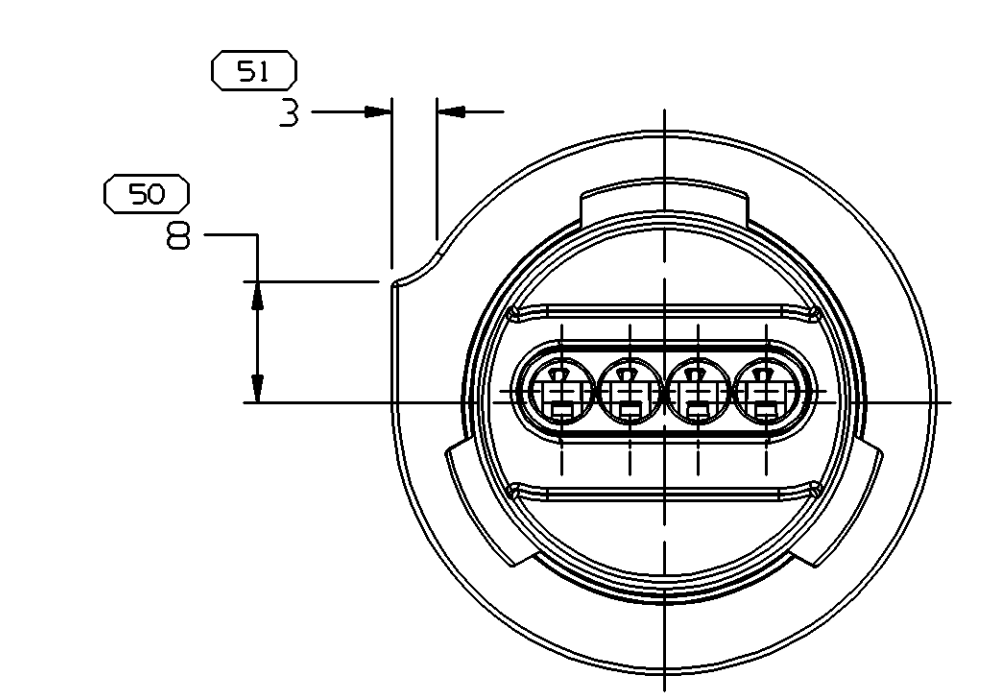
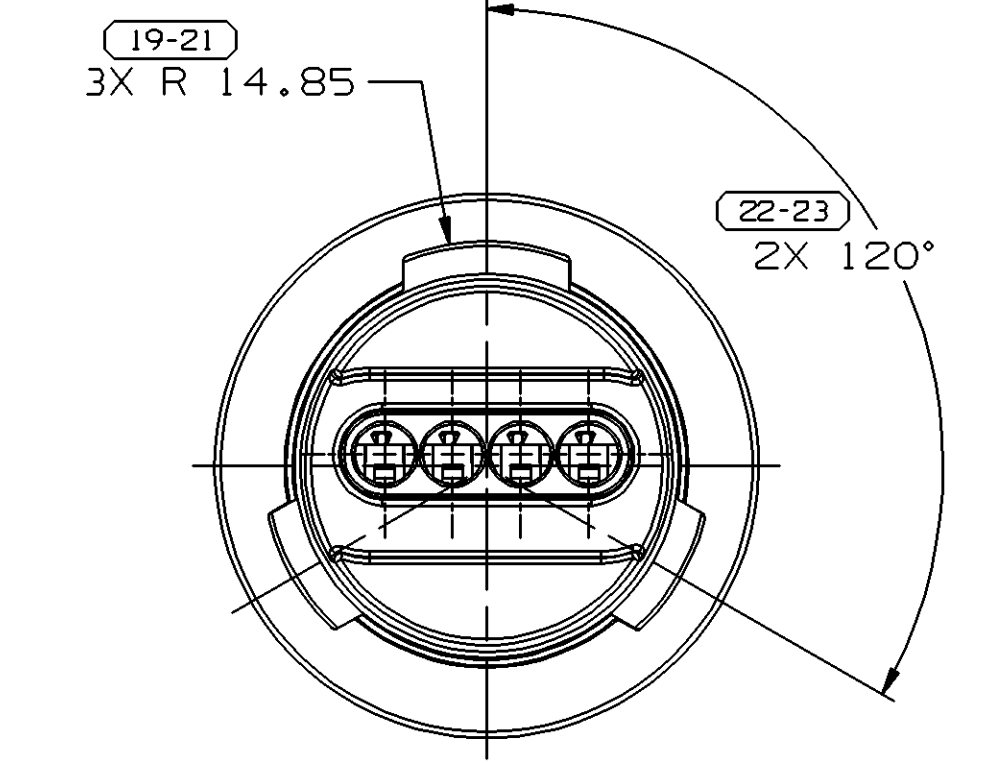
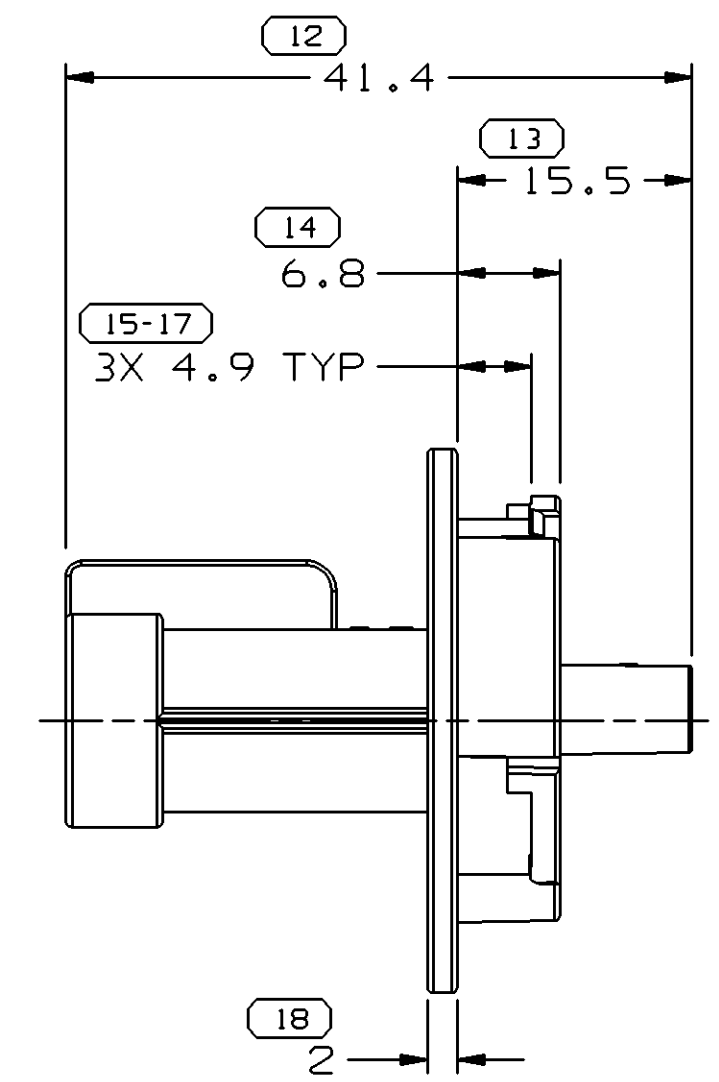
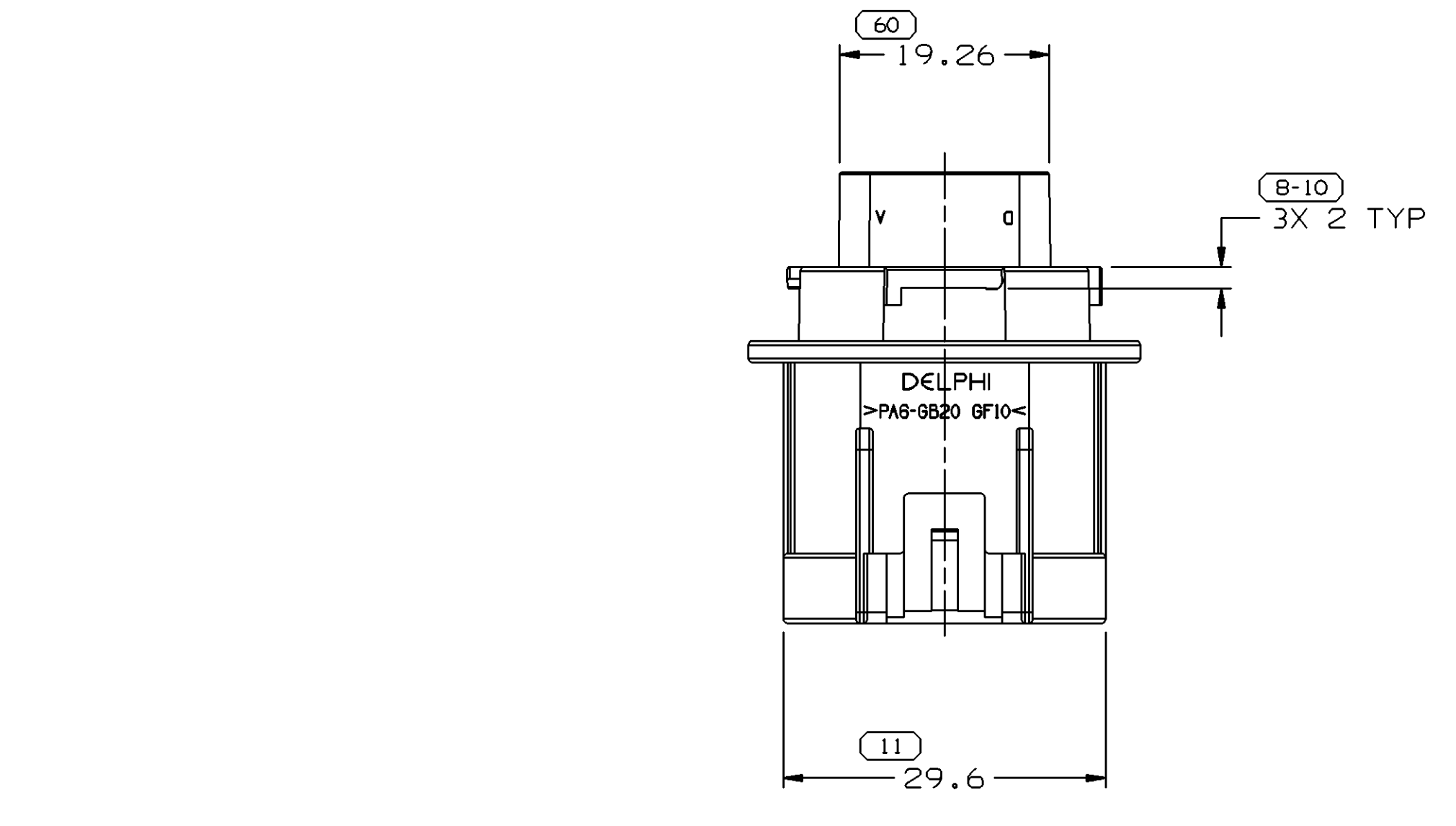
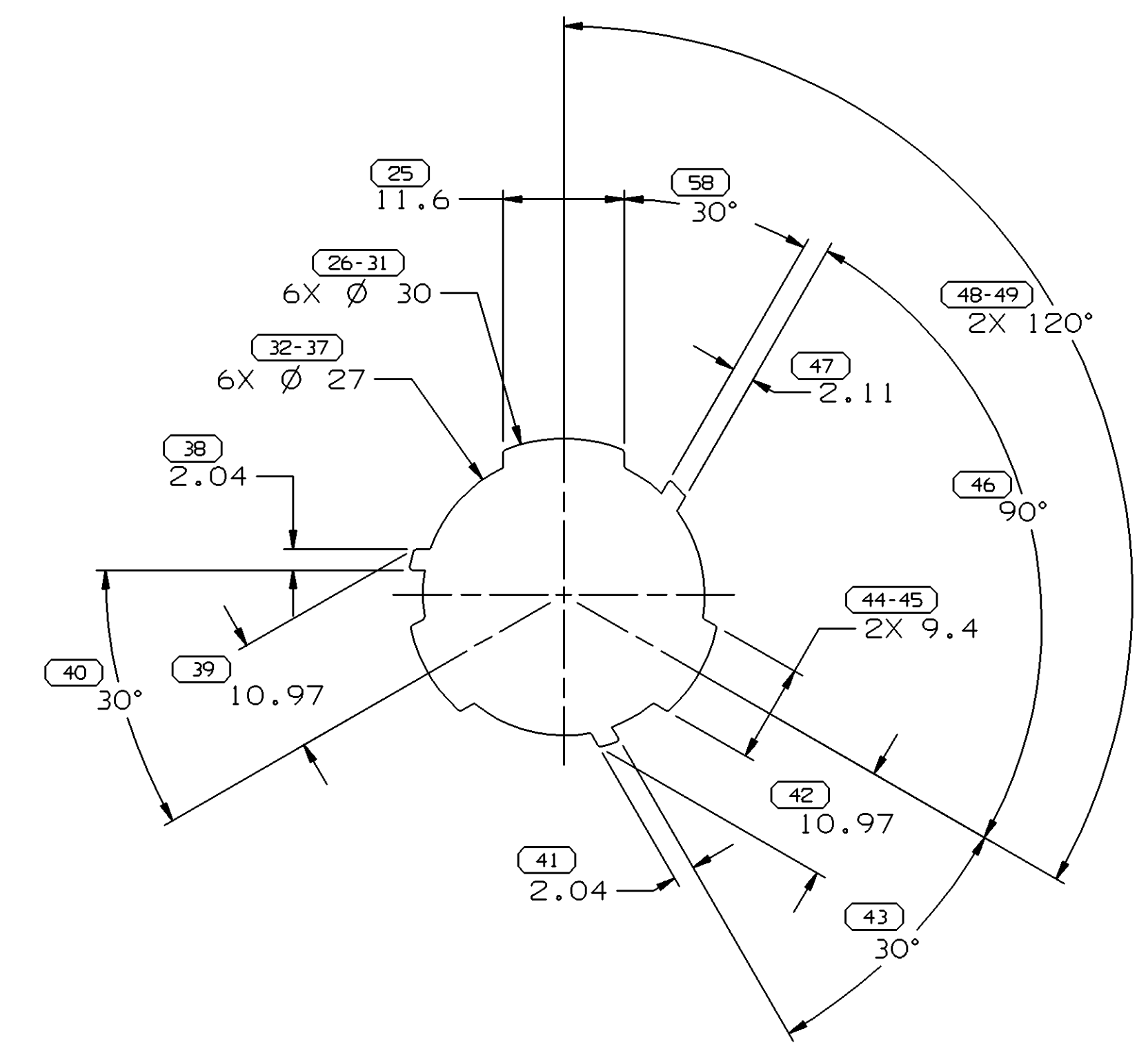


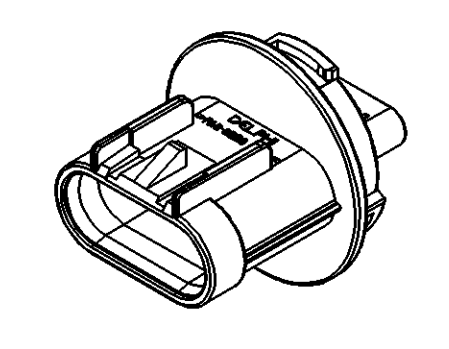
SYMBOL DEFINITION		MISSING NUMBERS	
THE NUMBER INSIDE THE SYMBOL CORRESPONDS TO THE NUMBER ON THE INSPECTION REPORT FOR THIS DRAWING/PART NUMBER	TOTAL NO. OF SYMBOLS ON DRAWING	32	7,24,
	LAST NO. USED	60	

DATE	STG	REV	N/P	CHO	ZONE	REVISION HISTORY	AUTH	DR	APVD	APVD
25MY99	R	02	-	-	-	CLEARED REV COLUMN & REVISED	194984	JTC	JVM	GO
30SE99	R	02	AA	-	-	UPDATED PDM ATTRIBUTES	196715	JCO	AUG	GO
26JAO5	R	02	AB	-	-	PREFERRED CONSTRUCTION WAS OPTIONAL CONSTRUCTION: UPDATED DRAWING FORMAT	263813	MAC	MAC	LN



BACK OF MOUNTING FEATURE
INSIDE LAMP-CASING

- NOTES
- UNLESS OTHERWISE SPECIFIED AND/OR INDICATED: DIMENSIONS ARE TO FACE OF VIEW SHOWN AND AUTOMATICALLY ROUNDED BY COMPUTER FOR INSPECTION. (SEE MATH MODEL FOR PRECISE DIMENSIONS.) FOR ALL OTHER DIMENSIONS NOT SHOWN BUT REQUIRED FOR TOOL BUILD, SEE MATH MODEL FOR PRECISE TOOL PATH DATA.
 - THIS PART USED IN ASSEMBLY 15369320
 - MATING COMPONENTS OR EQUIVALENT:
CONNECTOR 15326815
PLR 15326817
SEAL 12129909
 - TYPICAL TERMINAL OR EQUIVALENT:
15304706, 15304707
 - MATERIAL RECYCLING CODE PER ISO 11469. (1.15)X(0.1) CHARACTERS AS SHOWN TO BE LOCATED ON ANY EXTERIOR SURFACE.
 - (1.44)X(0.1) DELPHI CORPORATE BRAND TO BE LOCATED ON ANY EXTERIOR SURFACE, PREFERABLY VISIBLE AT FINAL ASSEMBLY. OPTIONAL CONSTRUCTION TO BE "PED".



DIMENSIONAL RANGE (MM)	TOLERANCE	CHART	ET
FROM 0 TO >20	± 0.15	10	1
>20 TO >30	± 0.2	10	1
>30 TO >70	± 0.3	10	1
>70 TO >100	± 0.4	10	1
>100 TO >150	± 0.5	10	1
>150 TO >200	± 0.6	10	1
>200 TO >250	± 0.8	10	1
>250 TO >300	± 1.0	10	1
>300 TO >400	± 1.2	10	1

DWG TYPE		PART DRAWING					
STYLE		DISTR CODE	D				
VOLUME (COP)	6,725						
UNLESS OTHERWISE SPECIFIED							
THIS DOCUMENT IS IN ACCORDANCE WITH ASME Y14.5M-1994 AS AMENDED BY THE 04 & 05A DIMENSIONING AND TOLERANCING ADDENDUM-2001. SEPARATE PATTERNING OF FEATURES MAY BE OMD SEPARATELY REGARDLESS OF DATUM REFERENCES.							
ALL DIMENSIONS ARE IN MILLIMETERS							
REFERENCE							
<table border="1"> <tr> <td>(11) PROCESS SENSITIVE DIMENSION</td> <td></td> </tr> <tr> <td>DIMENSIONS ENCLOSED IN () INDICATE RETRIEVE DIMENSIONS AND NO TOLERANCE LIMITS ARE ESTABLISHED</td> <td></td> </tr> </table>				(11) PROCESS SENSITIVE DIMENSION		DIMENSIONS ENCLOSED IN () INDICATE RETRIEVE DIMENSIONS AND NO TOLERANCE LIMITS ARE ESTABLISHED	
(11) PROCESS SENSITIVE DIMENSION							
DIMENSIONS ENCLOSED IN () INDICATE RETRIEVE DIMENSIONS AND NO TOLERANCE LIMITS ARE ESTABLISHED							
THIRD ANGLE PROJECTION		DO NOT SCALE					
USE MATH DATA							

DELPHI	
DELPHI PACKARD ELECTRIC SYSTEMS WARREN, OH	
DR	DATE
APVD1 G.G. IZQUIERDO	11NO98
APVD2 MANUEL VEGA	11NO98
APVD3 G. ORANTES	18NO98
APVD4	
APVD5	
SUBSTANCES OF CONCERN AND RECYCLED CONTENT PER DELPHI 10949001	
MATERIAL M3571002 PLAS PA6 6B20+6F10 HS BLK	
DRAWING NAME	
CONN 4 M GT 150 BLK SLD	
DRAWING NUMBER	
15369319	
SIZE	SCALE
A0	1 OF 1
REV	SHEET NO
02	1 OF 1