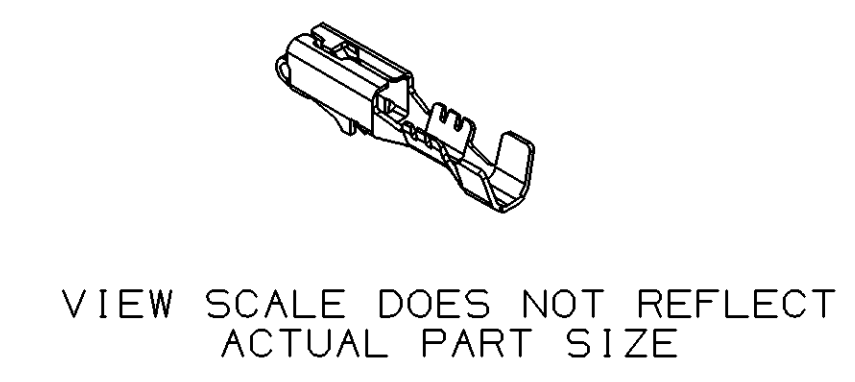
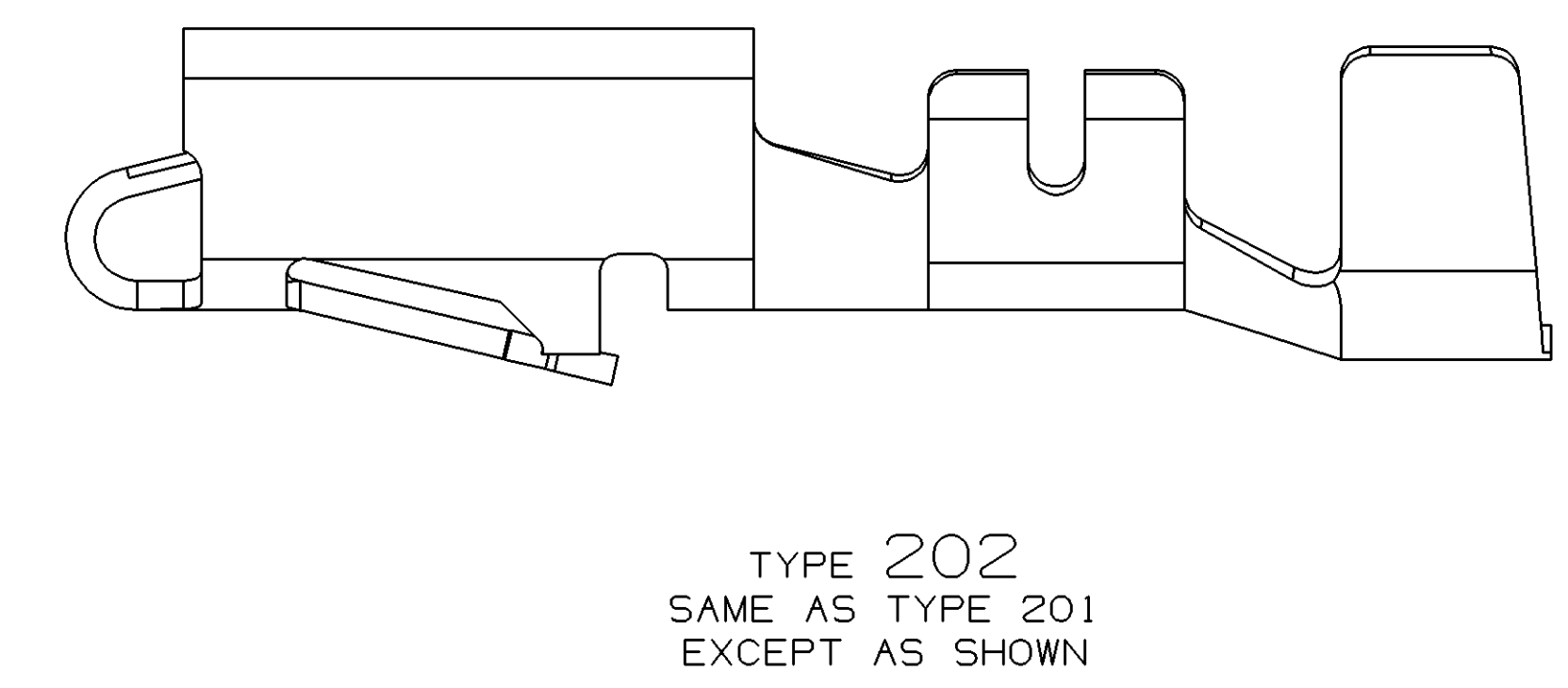
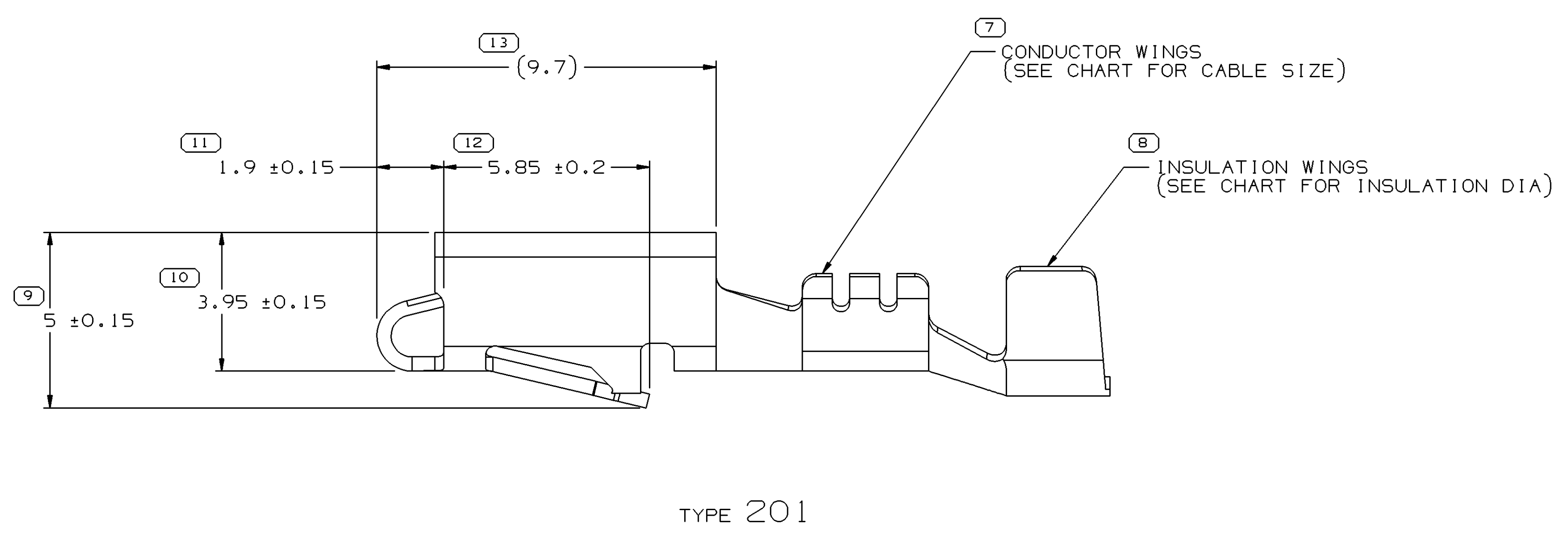
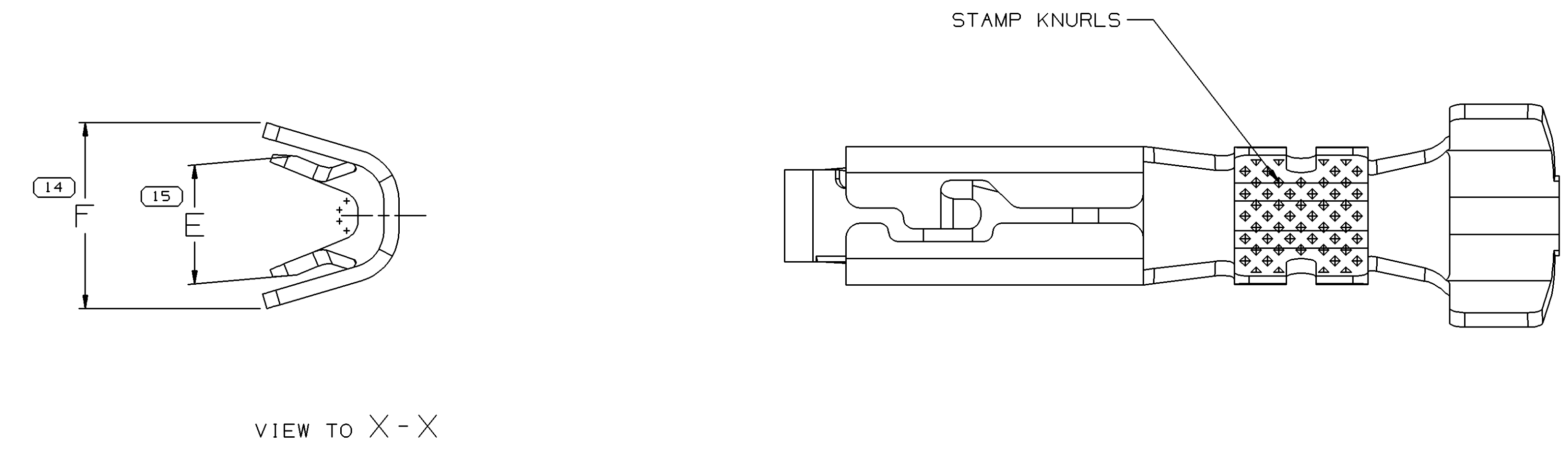
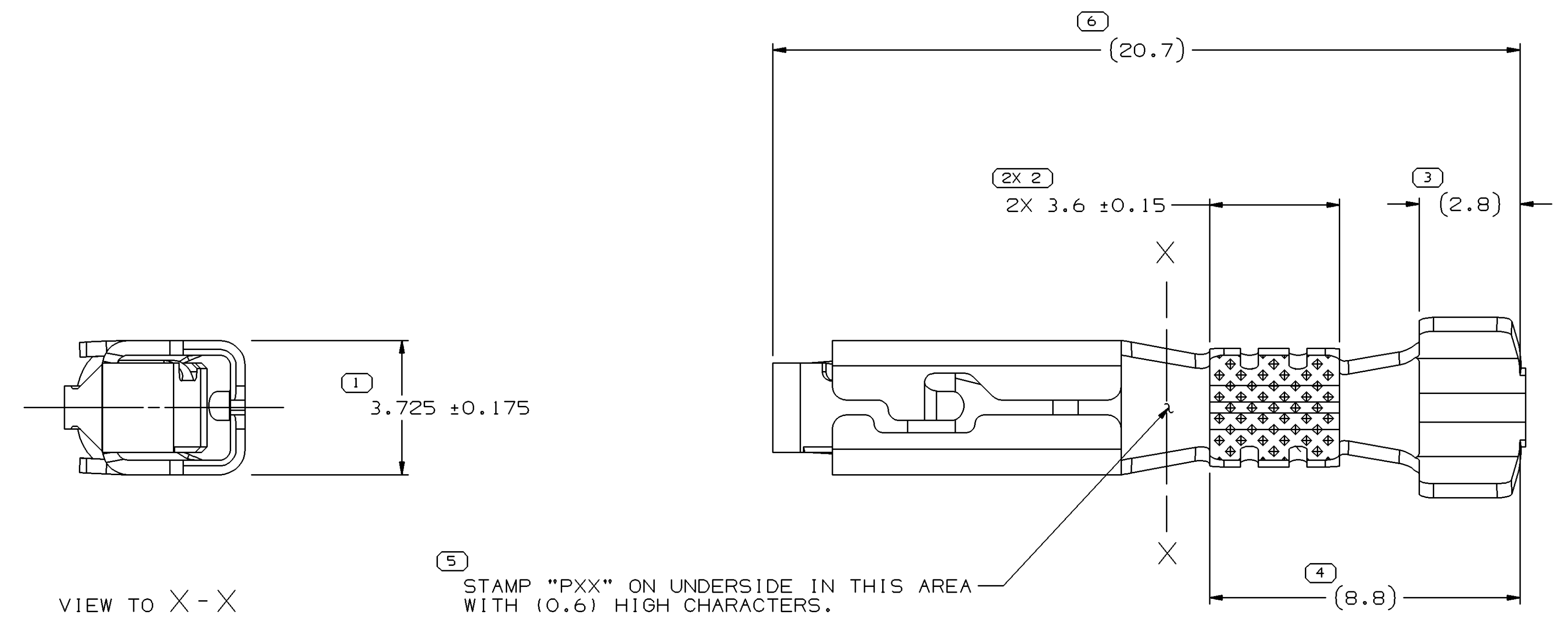


SYMBOL DEFINITION		MISSING SYMBOLS	
A DIMENSION WITHOUT AN INSPECTION REPORT SYMBOL DOES NOT REQUIRE INSPECTION. IT MAY BE CONTROLLED ON THE INDIVIDUAL COMPONENT DRAWING.	TOTAL NO OF INSPECTIONS REQUIRED	NO MISSING SYMBOL NUMBER	
	16		
	LAST NO. USED		
	15		

DWG STATUS				REVISION HISTORY				AUTH	DR	APVD	APVD
DATE	STG	REV	N/P	CHG	ZONE					1	2
190004	R	01	-	-		ALL PARTS - WERE SEPARATE DWGS		260108	JFB	JVM	MKM



- NOTES
- UNLESS OTHERWISE SPECIFIED AND/OR INDICATED: DIMENSIONS ARE TO FACE OF VIEW SHOWN AND AUTOMATICALLY ROUNDED BY COMPUTER FOR INSPECTION (SEE MATH MODEL FOR PRECISE DIMENSIONS). FOR ALL OTHER DIMENSIONS NOT SHOWN BUT REQUIRED FOR TOOL BUILD, SEE MATH MODEL FOR PRECISE TOOL PATH DATA.
 - A 0.4 R IS PERMISSIBLE ON ALL "SHARP" CORNERS UNLESS OTHERWISE SPECIFIED. ALL LOCKING FEATURES MUST HAVE SHARP CORNERS.
 - VISIBLE CRACKS ARE NOT PERMISSIBLE
 - RECOMMENDED MATING BLADE 2.8 X 0.81

PART NO	REV	N/P	STATUS	MAT'L SIZE	MAT'L SPEC	PART NO	REV	N/P	STATUS	MAT'L SPEC	SIZE (MM ²)	DIA	ID	BLANK TYPE	E _{10.4}	F _{10.4}
				0.406 X 32.54		12066274	C1	-		P-1519-027	0.35-0.5	1.3-2.2	21	201	2.4	3.8
				0.406 X 32.54		12047958	D1	-		P-1519-027	1-2	2.48-3.97	15	202	3.7	6
				0.406 X 32.54		12047957	D2	-		P-1519-027	0.5-0.8	1.87-3.13	19	201	3.2	5

DIMENSIONAL RANGE (MM)		CHART ID
FROM	TO	
0	>12	
TOLERANCE UNLESS OTHERWISE SPECIFIED		
±0.1	±0.2	
ANGULAR TOLERANCE 12°		

DWG TYPE		PART DRAWING	
STYLE		DISTR CODE	D
VOLUME (CM ³)			
UNLESS OTHERWISE SPECIFIED			
THIS DOCUMENT IS IN ACCORDANCE WITH ASME Y14.5M-1994 AS MODIFIED BY THE DIMENSIONING AND TOLERANCING ADDENDUM-2003. SEPARATE PATTERNING OF FEATURES MAY BE GIVEN SEPARATELY REGARDLESS OF DATUM REFERENCE.			
ALL DIMENSIONS ARE IN MILLIMETERS			
THIRD ANGLE PROJECTION		DO NOT SCALE	
USE MATH DATA			

DELPHI
DELPHI PACKARD ELECTRIC SYSTEMS
WARREN, OH

DR	DATE
APVD1 W. PEARCE	24MR80
APVD2 R. BRAUM	24MR80
APVD3 A. WINYARD	25MR80
APVD4	
APVD5	

SUBSTANCES OF CONCERN AND RECYCLED CONTENT PER DELPHI 10949001

MATERIAL SEC CHART

DRAWING NAME
TAXI TERM F M/P 280

DRAWING NUMBER
12015082

SIZE	SCALE	FRAME NO	SHEET NO	STG	REV	N/P
A0	10:1	1	1	2	OF	1