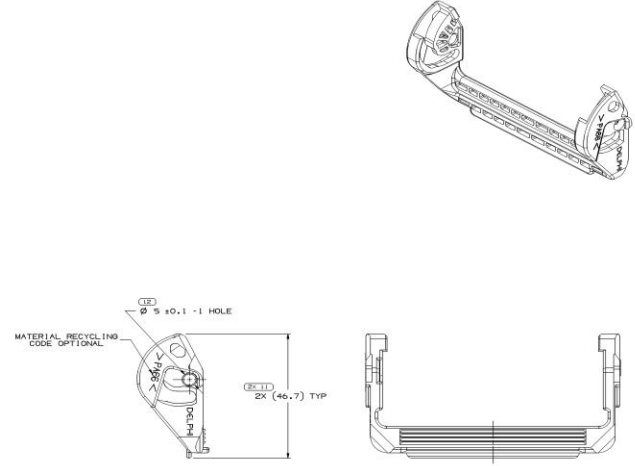
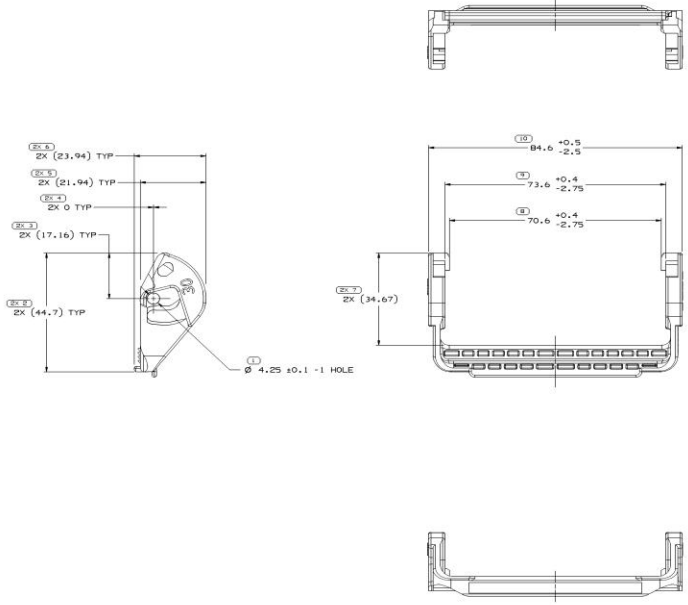


SYMBOL DEFINITION		TOTAL NO OF INSPECTIONS REQUIRED	MISSING SYMBOLS
A DIMENSION WITHOUT AN INSPECTION REPORT SYMBOL DOES NOT REQUIRE INSPECTION. IT MAY BE CONTROLLED ON THE INDIVIDUAL COMPONENT DRAWING.		19	13
LAST NO. USED		13	

REV	DATE	BY	CHKD	DESCRIPTION	REV	DATE	BY	CHKD	DESCRIPTION
01	10/18/11	JM	JM	ALL PARTS - RELEASED	41475	JM	JM		
02	11/01/11	JM	JM	1187149 - UPDATED MAT'L CALLOUT	41256	JM	JM		
03	11/01/11	JM	JM	ALL PARTS - REVISED DIMENSIONS	41317	JM	JM		
04	11/01/11	JM	JM	ALL PARTS - REVISED DIMENSIONS	41367	JM	JM		
05	11/01/11	JM	JM	1187149 - REVISED AND REVISED	41384	JM	JM		
06	11/01/11	JM	JM	1187149 - TYPE CALLOUT WAS 132 AND 133 INSTEAD OF 131 AND 132	41939	JM	JM		
07	11/01/11	JM	JM	1187149 - UPDATED PART AVAILABILITY	41978	JM	JM		
08	11/01/11	JM	JM	ALL ACTIVE PARTS - UPDATED DIMENSIONS	41981	JM	JM		
09	11/01/11	JM	JM	1187149 - OBSOLETE	41991	JM	JM		
10	11/01/11	JM	JM	1187149 - REV DIMS AND DS FOR AUTH APPROV 410005 1187149 - UPDATED MAT'L SPEC	41996	JM	JM		



- NOTES
- UNLESS OTHERWISE SPECIFIED AND/OR INDICATED: DIMENSIONS ARE TO FACE OF VIEW SHOWN AND AUTOMATICALLY ROUNDED BY COMPUTER FOR INSPECTION (SEE MATH MODEL FOR PRECISE DIMENSIONS) - FOR ALL OTHER DIMENSIONS NOT SHOWN BUT REQUIRED FOR TOOL BUILD, SEE MATH MODEL FOR PRECISE TOOL PATH DATA.
  - THIS PART IS NOT CONTROLLED FOR AUTOMATIC FEEDING.
  - MATING COMPONENTS OR EQUIVALENT CONNECTOR IS 30576.
  - MATERIAL RECYCLING CODE PER ISO 11469: (2,3) X (0,1) RAISED CHARACTERS AS SHOWN TO BE LOCATED ON ANY EXTERIOR SURFACE. OPTIONAL CONSTRUCTION TO BE NO MATERIAL RECYCLING CODE.
  - (2,3) X (0,1) RAISED DELPHI CORPORATE BRAND TO BE LOCATED ON ANY EXTERIOR SURFACE, PREFERABLY VISIBLE AT FINAL ASSEMBLY.
  - THIS PART DOES NOT FALL IN TO THE CATEGORY OF AN APPEARANCE ITEM. MINOR SURFACE IMPERFECTIONS SUCH AS FLOW LINES, EJECTOR PIN MARKS, KNOT LINES, WELD MARKS AND GATE MARKINGS ARE PERMITTED.

PART NO	REV	N/P	TYPE	MATERIAL SPECIFICATION AND COLOR
1187149	03	-	101	POLYAMIDE COMPOUND YELLOW
1187149	05	AA	101	POLYAMIDE COMPOUND BLACK
1187149	04	AC	101	POLYAMIDE COMPOUND BLUE

DESIGNER	DATE	CHKD	DATE
JM	10/18/11	JM	10/18/11

DELPHI PART DRAWING  
 DRAWING NO. 6-479  
 UNLESS OTHERWISE SPECIFIED: DIMENSIONS ARE IN MILLIMETERS.  
 FINISHES ARE TO BE SHOWN AS INDICATED.  
 ALL DIMENSIONS ARE IN MILLIMETERS.  
 REFERENCE: SEE DRAWING 6-478 & 6-479.

**DELPHI**  
 DELPHI PROVIDES ELECTRICAL/ELECTRONIC ARCHITECTURE  
 THROUGH OUR DELTA, DELTA2, DELTA3, DELTA4, DELTA5, DELTA6, DELTA7, DELTA8, DELTA9, DELTA10, DELTA11, DELTA12, DELTA13, DELTA14, DELTA15, DELTA16, DELTA17, DELTA18, DELTA19, DELTA20, DELTA21, DELTA22, DELTA23, DELTA24, DELTA25, DELTA26, DELTA27, DELTA28, DELTA29, DELTA30, DELTA31, DELTA32, DELTA33, DELTA34, DELTA35, DELTA36, DELTA37, DELTA38, DELTA39, DELTA40, DELTA41, DELTA42, DELTA43, DELTA44, DELTA45, DELTA46, DELTA47, DELTA48, DELTA49, DELTA50, DELTA51, DELTA52, DELTA53, DELTA54, DELTA55, DELTA56, DELTA57, DELTA58, DELTA59, DELTA60, DELTA61, DELTA62, DELTA63, DELTA64, DELTA65, DELTA66, DELTA67, DELTA68, DELTA69, DELTA70, DELTA71, DELTA72, DELTA73, DELTA74, DELTA75, DELTA76, DELTA77, DELTA78, DELTA79, DELTA80, DELTA81, DELTA82, DELTA83, DELTA84, DELTA85, DELTA86, DELTA87, DELTA88, DELTA89, DELTA90, DELTA91, DELTA92, DELTA93, DELTA94, DELTA95, DELTA96, DELTA97, DELTA98, DELTA99, DELTA100.

DATE: 11/01/11  
 DRAWN BY: JM  
 CHECKED BY: JM  
 TITLE: TAXI LOCK MECH ASST LEVER  
 PART NO: 1187149  
 REV: 03