

BLADE THICKNESS AND WIDTH MUST BE MAINTAINED FOR A MINIMUM OF 8.2 MM THE FROM COINED END.

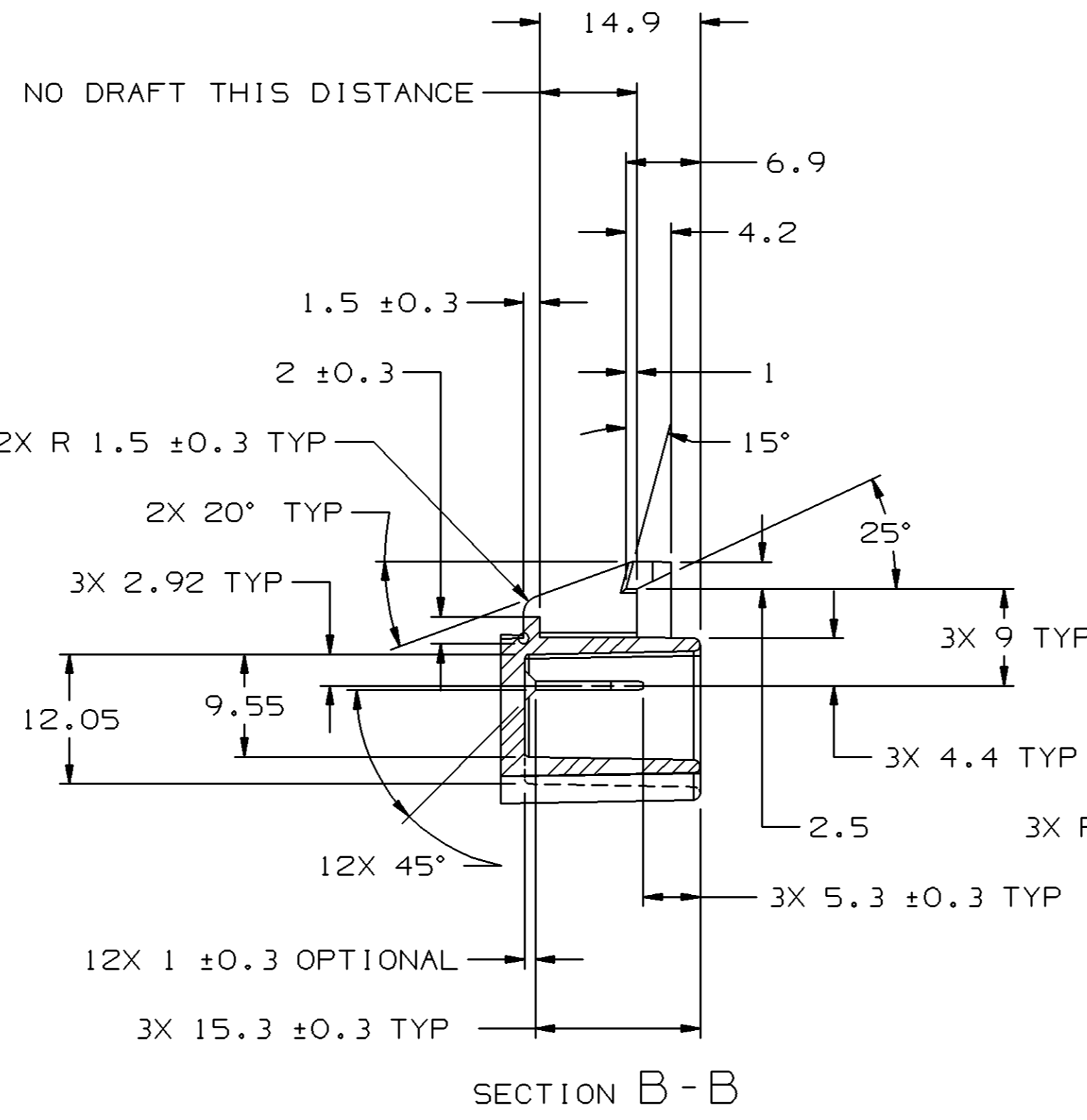
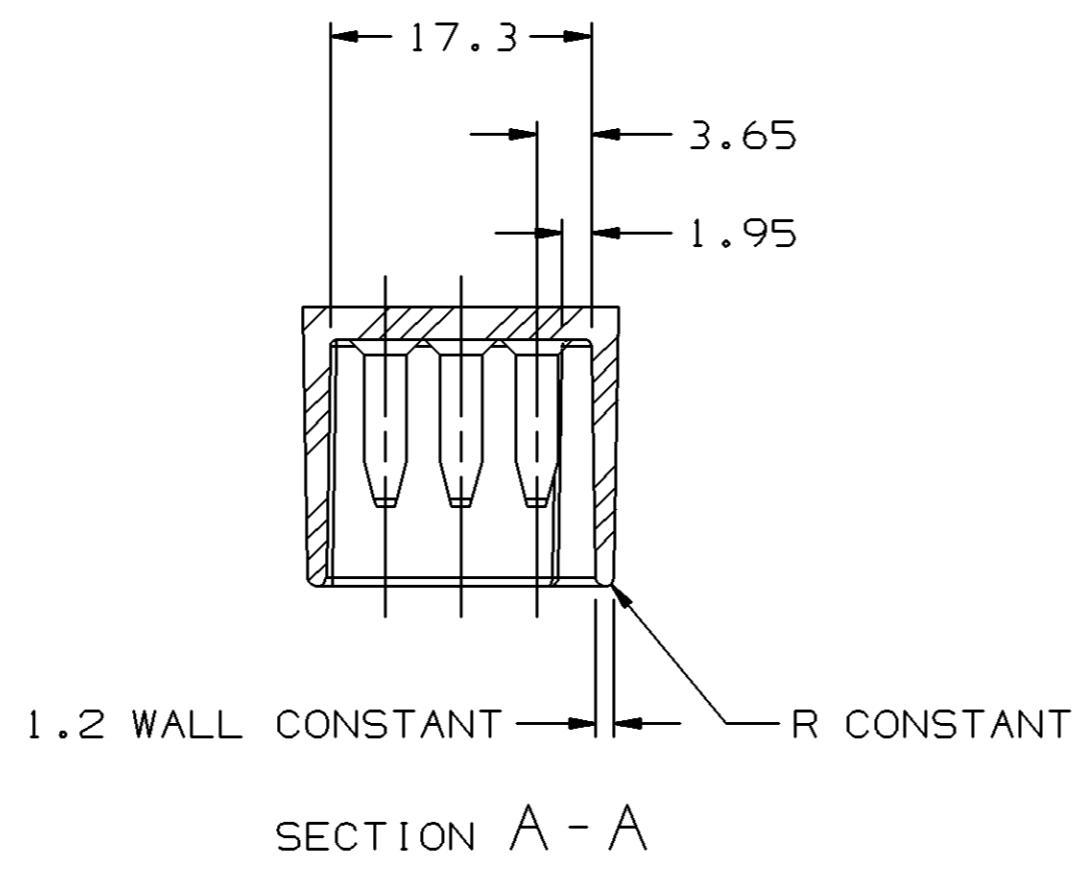
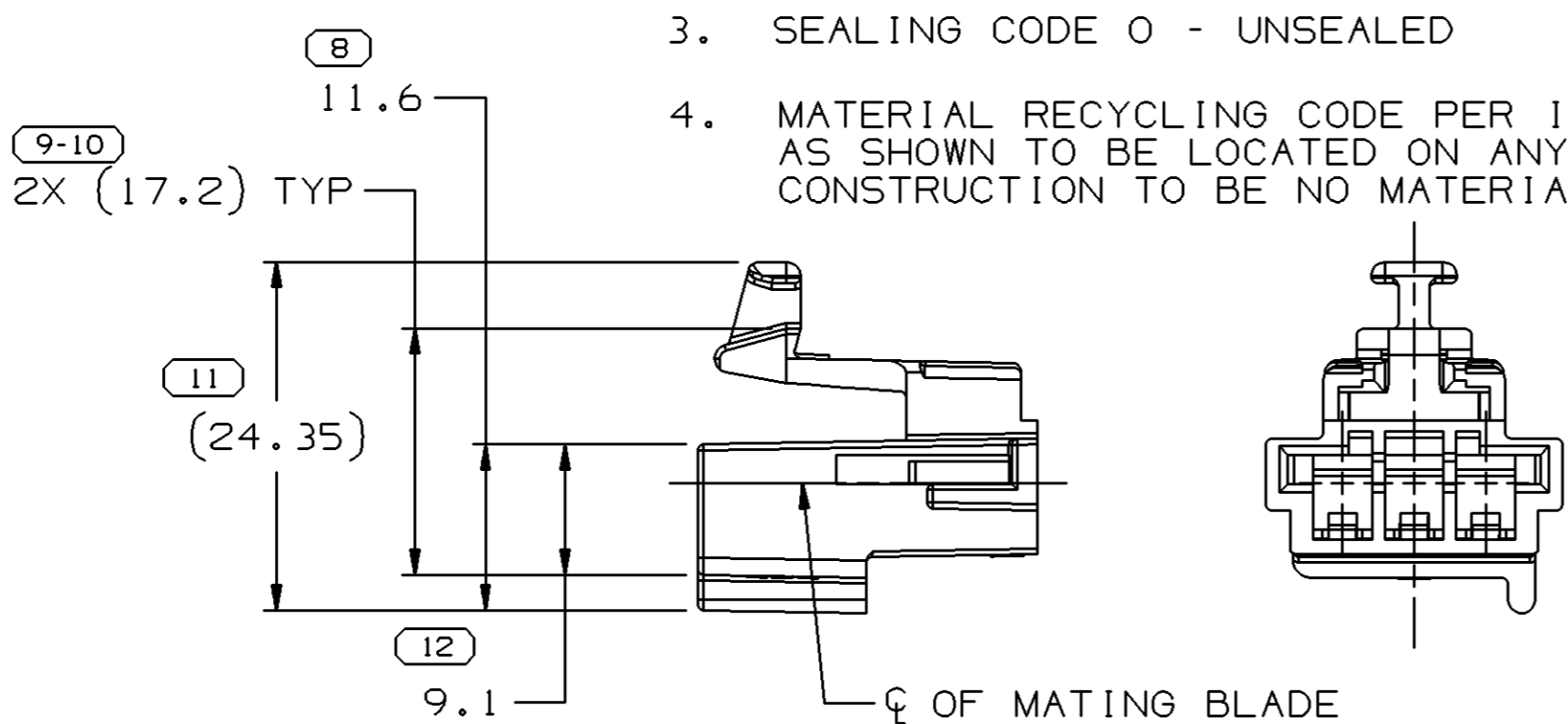
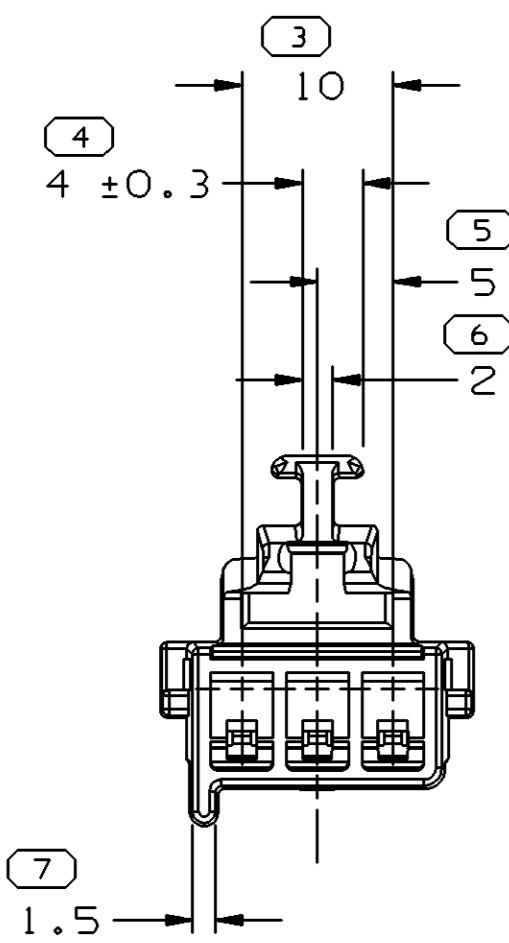
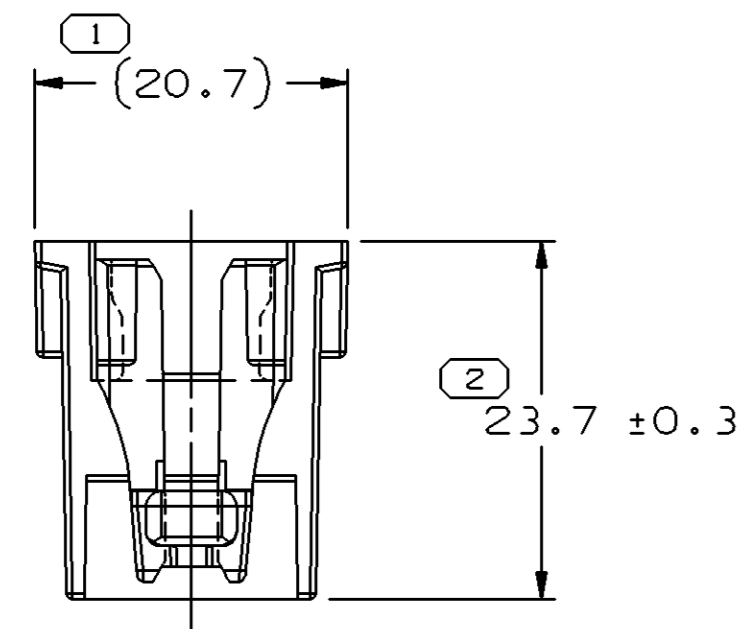
END OF TERMINAL MUST BE FREE OF BURRS

MATERIAL SPECIFICATIONS

RECOMMENDED
BASE METAL - CDA-210, GILDING, EXTRA SPRING TEMPER
PLATING - 0.0050±0.0025 MM THICK TIN

MINIMUMS
ELECTRICAL CONDUCTIVITY - ≥20% IACS AT 20°C. USE OF A MATERIAL WITH CONDUCTIVITY < 20% IACS MUST BE APPROVED BY PACKARD ELECTRIC MATERIALS ENGINEERING.
TENSILE STRENGTH - 407 MPa
PLATING - FOR LOW ENERGY (≤5v) AND NON-PASSENGER COMPARTMENT POWER CIRCUITS, 0.0050±0.0025 MM THICK TIN. FOR MATERIALS CONTAINING 10% OR MORE ZINC, AN UNDERPLATE OF COPPER 0.0050±0.0025 MM THICK IS REQUIRED.

MATING BLADE INFORMATION
SCALE 8:1

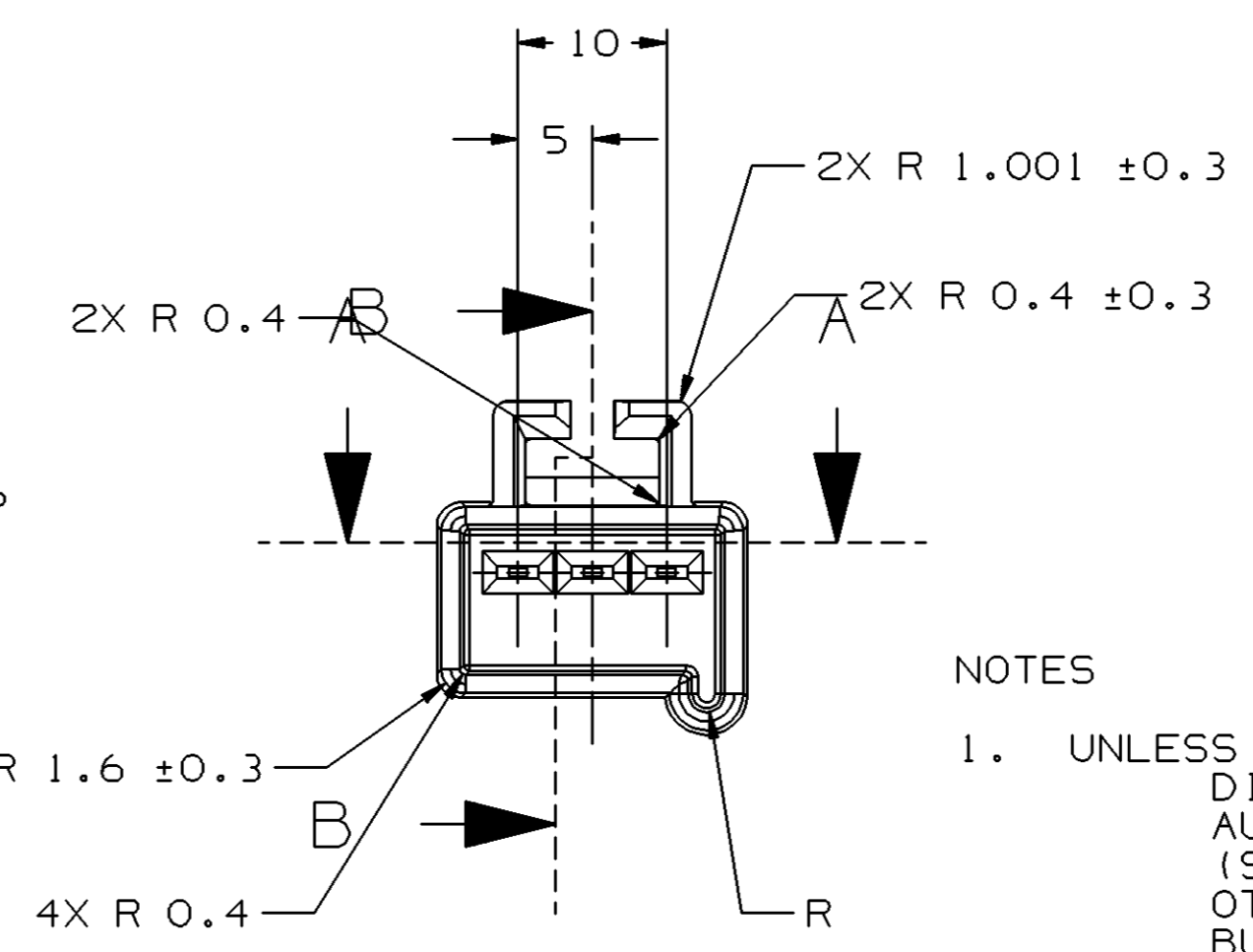
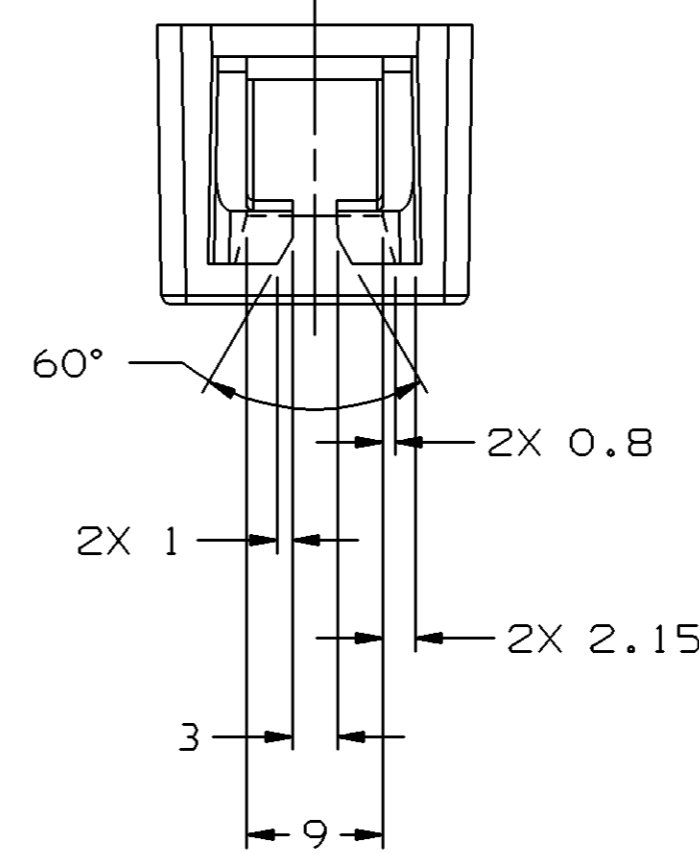


MATING SHROUD INFORMATION

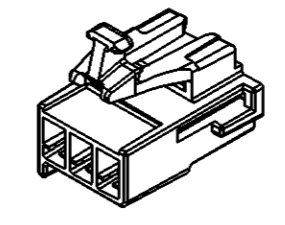
- NOTES**
- UNLESS OTHERWISE SPECIFIED AND/OR INDICATED: DIMENSIONS ARE TO FACE OF VIEW SHOWN AND AUTOMATICALLY ROUNDED BY COMPUTER FOR INSPECTION. (SEE MATH MODEL FOR PRECISE DIMENSIONS.) FOR ALL OTHER DIMENSIONS NOT SHOWN BUT REQUIRED FOR TOOL BUILD, SEE MATH MODEL FOR PRECISE TOOL PATH DATA.
 - MATING COMPONENTS OR EQUIVALENT:
CONNECTOR 12129490
TERMINAL 12110842
MAX. INSULATION CRIMP MUST BE LESS THAN 3.6 HIGH AND 3.8 WIDE
SECONDARY TERMINAL LOCK 12129491
MAX CABLE O.D. 3.2
CONNECTOR POSITION ASSURANCE LOCK 12052834
 - SEALING CODE 0 - UNSEALED
 - MATERIAL RECYCLING CODE PER ISO 11469. (2.3)X(0.1) CHARACTERS AS SHOWN TO BE LOCATED ON ANY EXTERIOR SURFACE. OPTIONAL CONSTRUCTION TO BE NO MATERIAL RECYCLING CODE.

SYMBOL DEFINITION		MISSING NUMBERS	
THE NUMBER INSIDE THE SYMBOL ○ CORRESPONDS TO THE NUMBER ON THE INSPECTION REPORT FOR THIS DRAWING/PART NUMBER	TOTAL NO. OF SYMBOLS ON DRAWING	11	
	LAST NO. USED	12	

DWG STATUS					ZONE	REVISION HISTORY			AUTH	DR	APVD 1	APVD 2
DATE	STG	REV	N/P	CHG								
05MY04	R	C5	-	-		REDRAWN AND UPDATED PDM ATTRIBUTES			254627	ADK	ADK	TM
25JL04	R	C6	-	-		UPDATED PDM ATTRIBUTES			257182	EES	EES	TM



- NOTES**
- UNLESS OTHERWISE SPECIFIED AND/OR INDICATED: DIMENSIONS ARE TO FACE OF VIEW SHOWN AND AUTOMATICALLY ROUNDED BY COMPUTER FOR INSPECTION. (SEE MATH MODEL FOR PRECISE DIMENSIONS.) FOR ALL OTHER DIMENSIONS NOT SHOWN BUT REQUIRED FOR TOOL BUILD, SEE MATH MODEL FOR PRECISE TOOL PATH DATA.
 - RECOMMENDED MATERIAL - GLASS FILLED NYLON OR POLYESTER.
 - WHEN USING THIS INFORMATION FOR A NEW DESIGN, REQUEST THE LATEST COPY OF THIS PRINT FROM PACKARD ELECTRIC DIVISION.



DIMENSIONAL RANGE (MM)		CHART	E
FROM	0	> 20	> 30
TO	20	30	70
TOLERANCE UNLESS OTHERWISE SPECIFIED		±0.15	±0.2 ±0.3 ±0.4 ±0.5
ANGULAR TOLERANCE		±2°	

DWG TYPE		PART DRAWING	
STYLE		DISTR CODE	D
VOLUME (CM ³)	2.167		
ROUTING	6900		
UNLESS OTHERWISE SPECIFIED			
THIS DOCUMENT IS IN ACCORDANCE WITH ASME Y14.5M-1994 AS AMENDED BY THE GM GLOBAL DIMENSIONING AND TOLERANCING ADDENDUM - 1997. ALL GEOMETRIC TOLERANCES AND RELATED DATUMS APPLY RFS. RULE #1 PERFECT FORM AT MMC DOES NOT APPLY WHEN RELATIONSHIP BETWEEN FEATURES IS ESTABLISHED BY ORIENTATION OR LOCATION TOLERANCES. SEPARATE POSITION CALLOUTS MAY BE GAGED SEPARATELY, REGARDLESS OF DATUM REFERENCE. ALL DIMENSIONS ARE IN MILLIMETERS			
DIMENSIONS ENCLOSED IN () INDICATE REFERENCE DIMENSIONS AND NO TOLERANCE LIMITS ARE ESTABLISHED		THIRD ANGLE PROJECTION	
DO NOT SCALE		DO NOT SCALE	
USE MATH DATA		USE MATH DATA	

DELPHI			
DELPHI PACKARD ELECTRIC SYSTEMS WARREN, OH			
DR		DATE	
APVD1	BRIAN K. DEW	14N091	
APVD2	BRIAN K. DEW	14N091	
APVD3	JOSEPH LYTLE	19N091	
APVD4			
APVD5			
SUBSTANCES OF CONCERN AND RECYCLED CONTENT PER DELPHI 10949001			
MATERIAL M3592001 PA66 HS 1M BLK			
DRAWING NAME CONN 3 F M/P 280 BLK FLXLK			
DRAWING NUMBER 12129489			
SIZE	SCALE	FRAME NO	SHEET NO
A1	2:1	1 OF 1	1 OF 1
STG	REV	N/P	
R	C6	-	