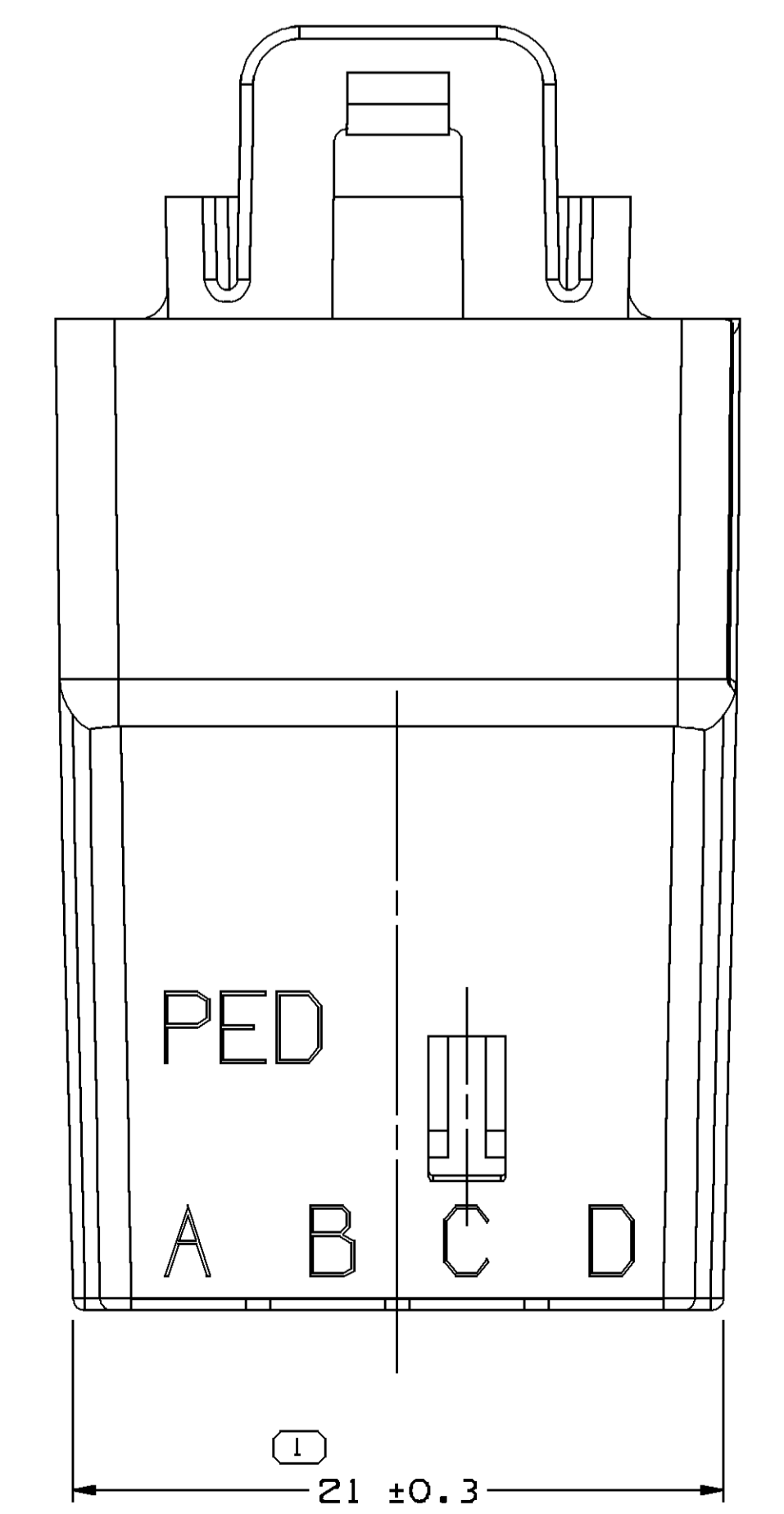
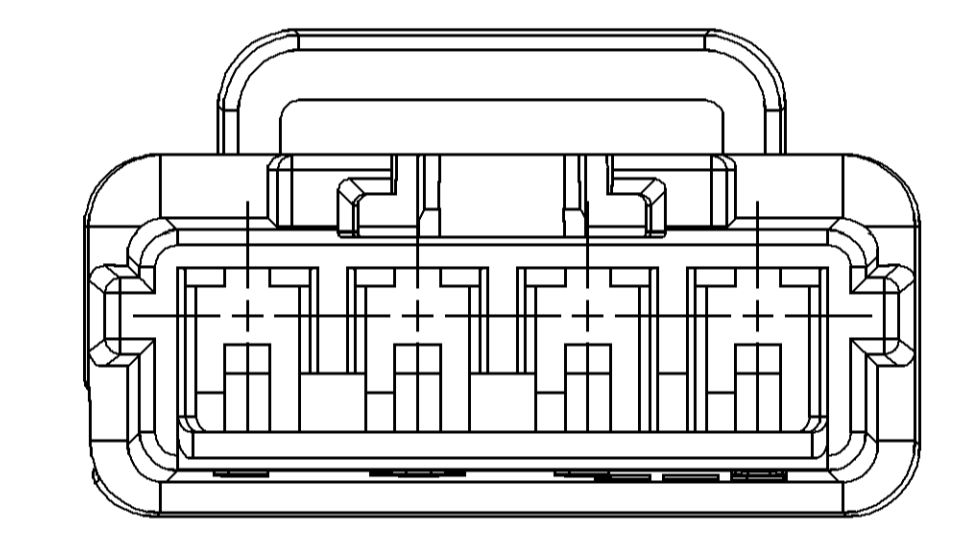
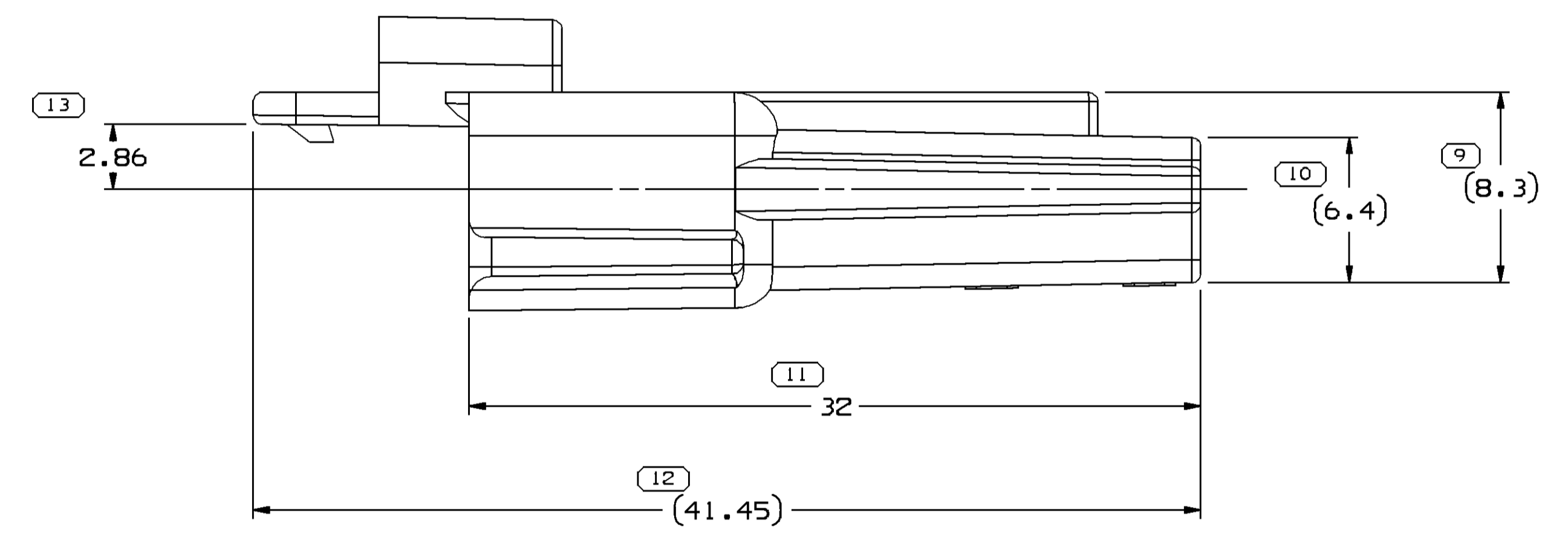
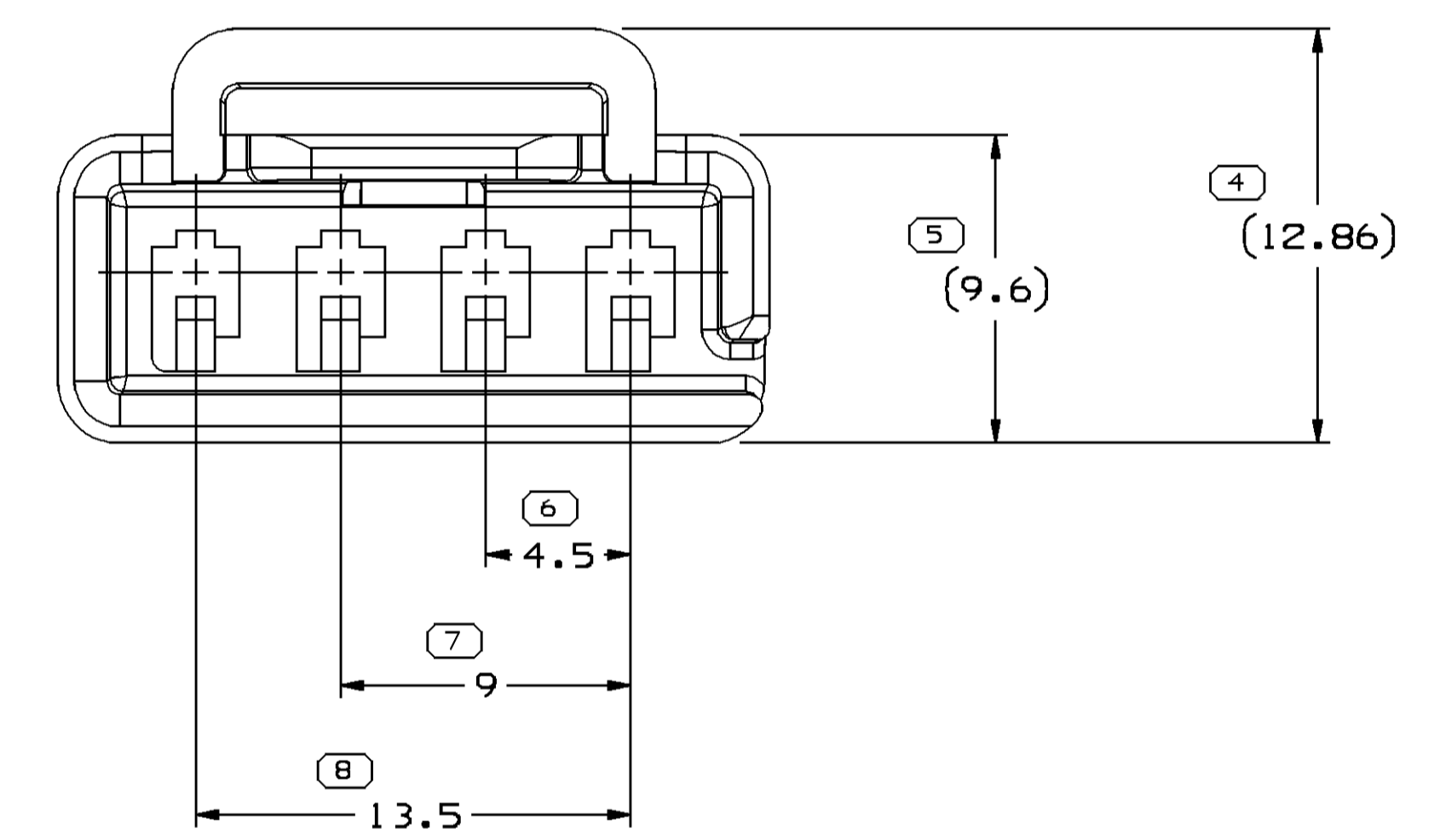
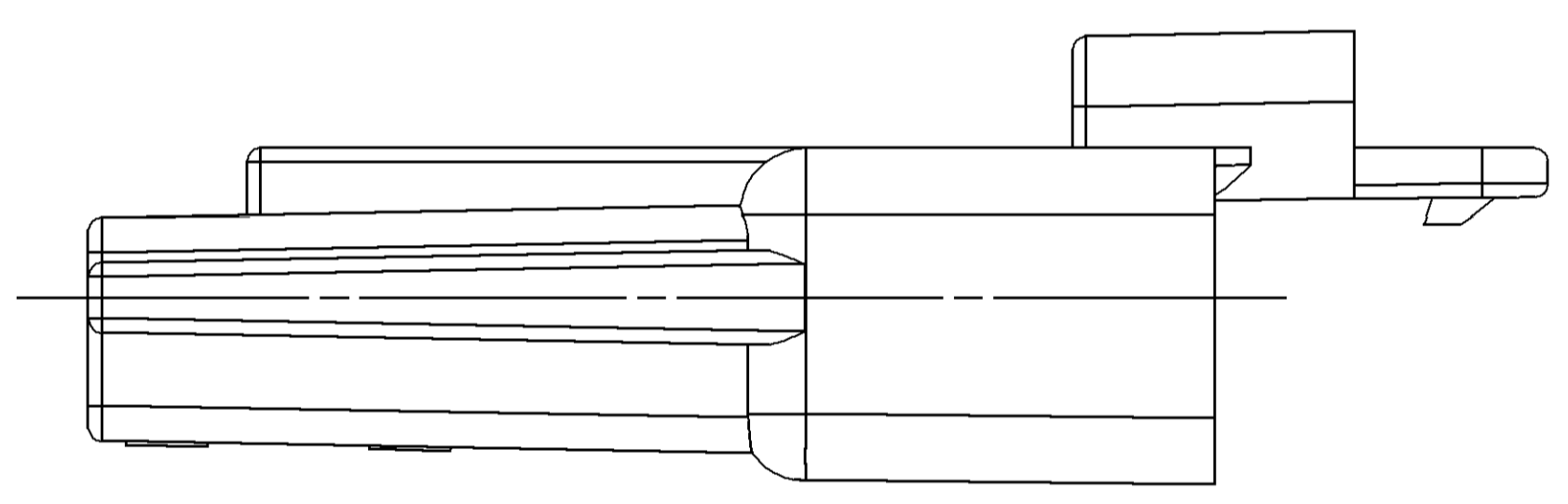
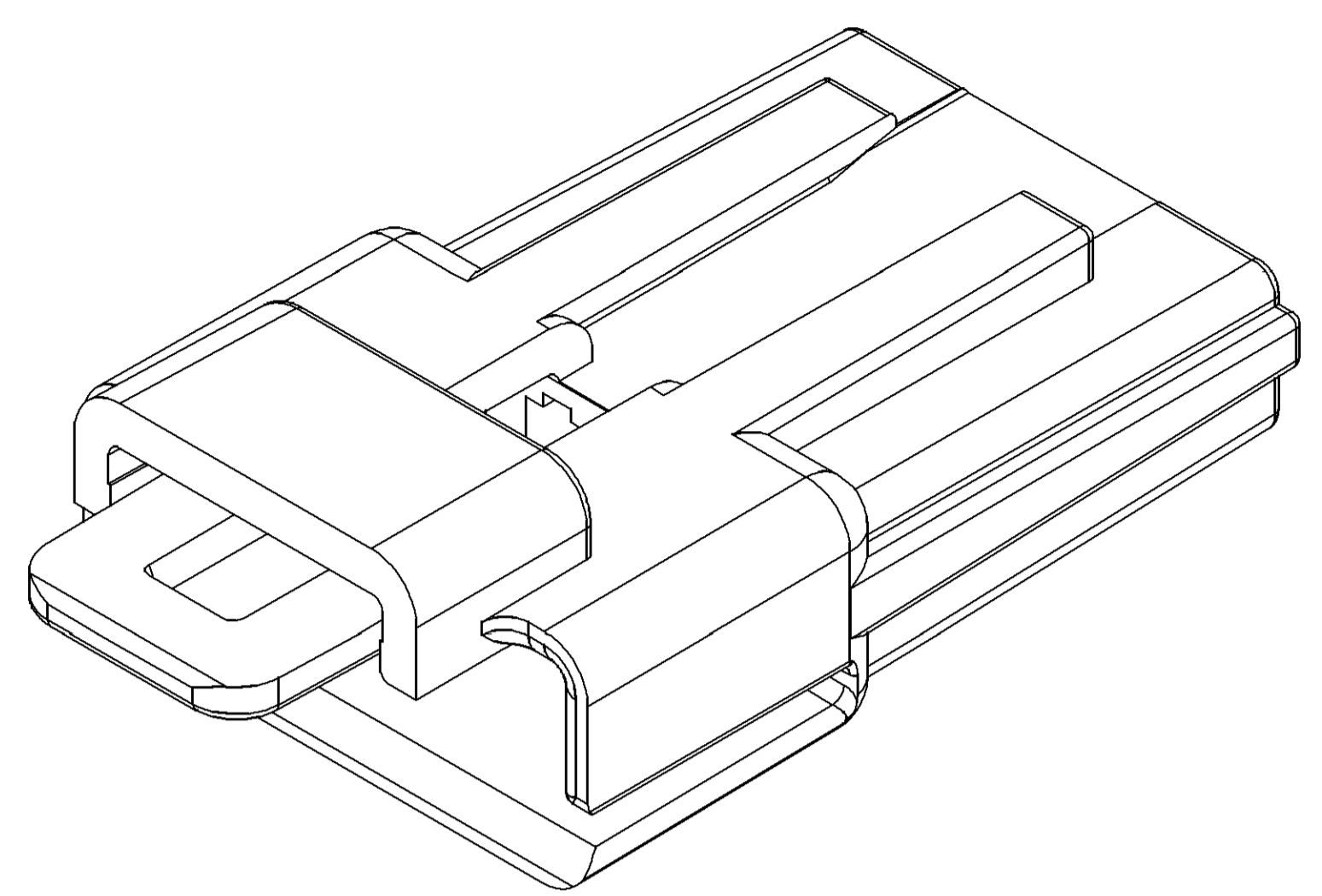
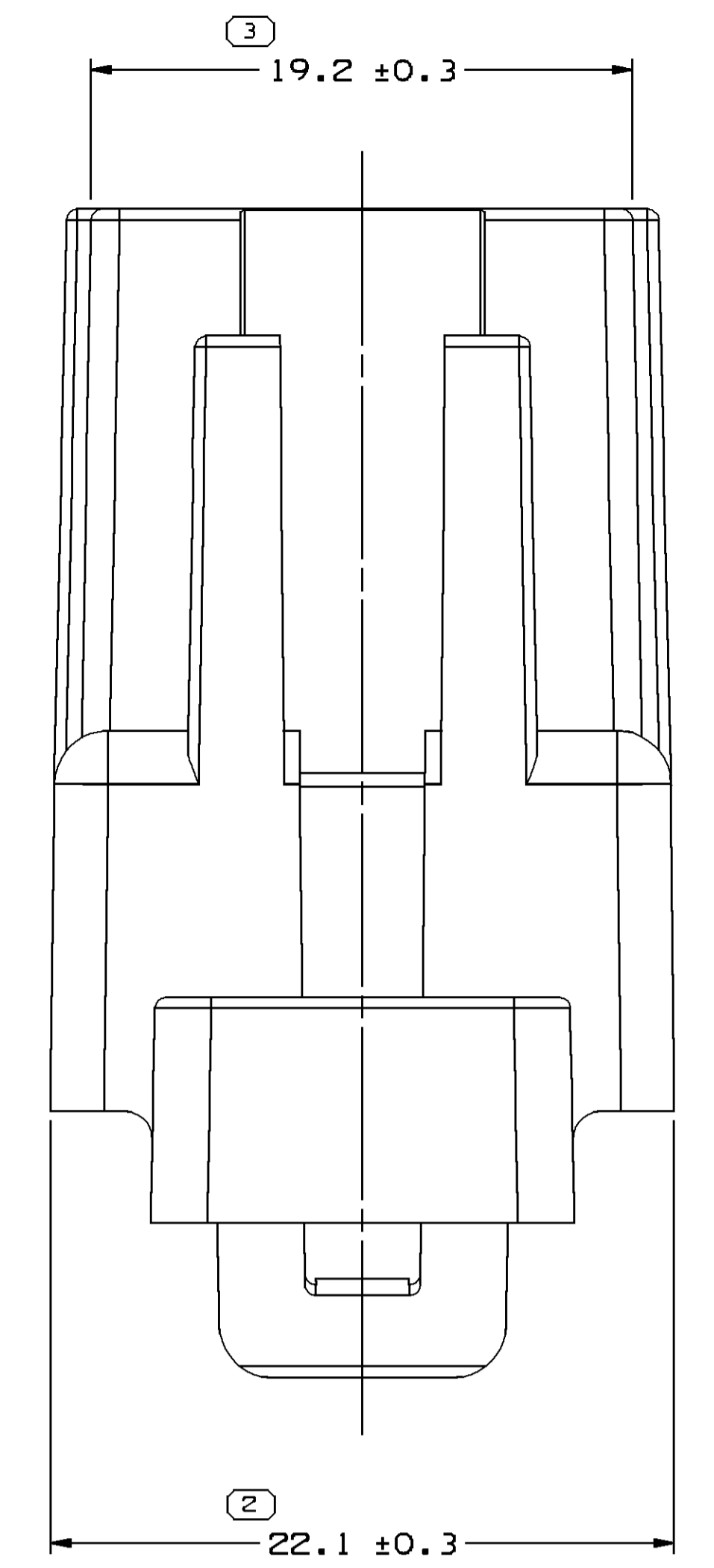


SYMBOL DEFINITION		MISSING SYMBOLS	
A DIMENSION WITHOUT AN INSPECTION REPORT SYMBOL DOES NOT REQUIRE INSPECTION. IT MAY BE CONTROLLED ON THE INDIVIDUAL COMPONENT DRAWING.	TOTAL NO OF INSPECTIONS REQUIRED	NO MISSING SYMBOL NUMBER	13
	LAST NO. USED		13

DWG STATUS				REVISION HISTORY				AUTH	
DATE	STG	REV	N/P	CHK	ZONE				
02FE09	R	ES	-	-		CLEARED REV COLUMN, REDRAWN TO PD AND UPDATED MAT'L CALLOUT			
				407206				LHT	ECB



- NOTES
- UNLESS OTHERWISE SPECIFIED AND/OR INDICATED: DIMENSIONS ARE TO FACE OF VIEW SHOWN AND AUTOMATICALLY ROUNDED BY COMPUTER FOR INSPECTION. (SEE MATH MODEL FOR PRECISE DIMENSION) FOR ALL OTHER DIMENSIONS NOT SHOWN BUT REQUIRED FOR TOOL BUILD, SEE MATH MODEL FOR PRECISE TOOL PATH DATA.
 - MATERIAL RECYCLING CODE PER ISO 11469, (2.3X10.1) CHARACTERS AS SHOWN TO BE LOCATED ON ANY EXTERIOR SURFACE. OPTIONAL CONSTRUCTION TO BE NO MATERIAL RECYCLING CODE.
 - THIS PRODUCT IS NOT CATEGORIZED AS AN APPEARANCE ITEM, MINOR IMPERFECTIONS INCLUDING, BUT NOT LIMITED TO, FLOW MARKS, COLOR BLEMISHES, GATE VESTIGE, AND SOFT FLASH THAT DO NOT AFFECT THE FIT, FORM, OR FUNCTION OF THE PART ARE PERMISSIBLE PER NAP 4.10-18.
 - THIS PART IS NOT CONTROLLED FOR AUTOMATIC FEEDING.
 - (2.3X10.1) DELPHI CORPORATE BRAND TO BE LOCATED ON ANY EXTERIOR SURFACE, PREFERABLY VISIBLE AT FINAL ASSEMBLY. OPTIONAL CONSTRUCTION FOR EXISTING TOOLING MAY BE "PED" OR NO LOGO.
 - FOR APPLICATION DATA SEE THE APPLICATION DRAWING.
 - NON-STANDARD CLIP SLOT, USE METAL CLIPS ONLY.

Dwg Type: PART DRAWING																																		
Style: 3,024	DISTR CODE: D																																	
UNLESS OTHERWISE SPECIFIED THIS DOCUMENT IS IN ACCORDANCE WITH ASME Y14.5M-1994 AS AMENDED BY THE IN-SUPPLY DIMENSIONING AND TOLERANCE ADDENDUM-2001. SEPARATE WRITINGS OF FEATURES MAY BE BASED SEPARATELY PER-ROLE OF DIVISION REFERENCES.																																		
ALL DIMENSIONS ARE IN MILLIMETERS																																		
THIRD ANGLE PROJECTION																																		
DO NOT SCALE USE MATH DATA																																		
<table border="1"> <thead> <tr> <th>DIMENSIONAL RANGE (MM)</th> <th>TOLERANCE UNLESS OTHERWISE SPECIFIED</th> <th>SHORT ET</th> </tr> </thead> <tbody> <tr> <td>FROM > 0 TO > 20</td> <td>±0.15</td> <td>1</td> </tr> <tr> <td>> 20 TO > 30</td> <td>±0.2</td> <td>1</td> </tr> <tr> <td>> 30 TO > 70</td> <td>±0.3</td> <td>1</td> </tr> <tr> <td>> 70 TO > 100</td> <td>±0.4</td> <td>1</td> </tr> <tr> <td>> 100 TO > 150</td> <td>±0.5</td> <td>1</td> </tr> <tr> <td>> 150 TO > 200</td> <td>±0.6</td> <td>1</td> </tr> <tr> <td>> 200 TO > 250</td> <td>±0.7</td> <td>1</td> </tr> <tr> <td>> 250 TO > 300</td> <td>±0.8</td> <td>1</td> </tr> <tr> <td>> 300 TO > 400</td> <td>±1.0</td> <td>1</td> </tr> <tr> <td colspan="3">ANGULAR TOLERANCE 32'</td> </tr> </tbody> </table>		DIMENSIONAL RANGE (MM)	TOLERANCE UNLESS OTHERWISE SPECIFIED	SHORT ET	FROM > 0 TO > 20	±0.15	1	> 20 TO > 30	±0.2	1	> 30 TO > 70	±0.3	1	> 70 TO > 100	±0.4	1	> 100 TO > 150	±0.5	1	> 150 TO > 200	±0.6	1	> 200 TO > 250	±0.7	1	> 250 TO > 300	±0.8	1	> 300 TO > 400	±1.0	1	ANGULAR TOLERANCE 32'		
DIMENSIONAL RANGE (MM)	TOLERANCE UNLESS OTHERWISE SPECIFIED	SHORT ET																																
FROM > 0 TO > 20	±0.15	1																																
> 20 TO > 30	±0.2	1																																
> 30 TO > 70	±0.3	1																																
> 70 TO > 100	±0.4	1																																
> 100 TO > 150	±0.5	1																																
> 150 TO > 200	±0.6	1																																
> 200 TO > 250	±0.7	1																																
> 250 TO > 300	±0.8	1																																
> 300 TO > 400	±1.0	1																																
ANGULAR TOLERANCE 32'																																		

DELPHI
DELPHI PACKARD ELECTRICAL/ELECTRONIC ARCHITECTURE
MVPEN, DI

DR	DATE
APV01 JEFF REEVES	050C88
APV02 TOM NADASKY	01NO88
APV03 G. YANG	22FE89
APV04	
APV05	

SUBSTANCES OF CONCERN AND RECYCLED CONTENT PER DELPHI 10949001

MATERIAL: POLYAMIDE COMPOUND BLACK

DRAWING NAME: CONN 4 M M/P 150

DRAWING NUMBER: 12092163

SIZE: A0	SCALE: 5:1	FRAME NO: 1	SHEET NO: 1	OF: 1	REV: R	N/P: ES
----------	------------	-------------	-------------	-------	--------	---------

Date: 03-24-09 Time: 13:49