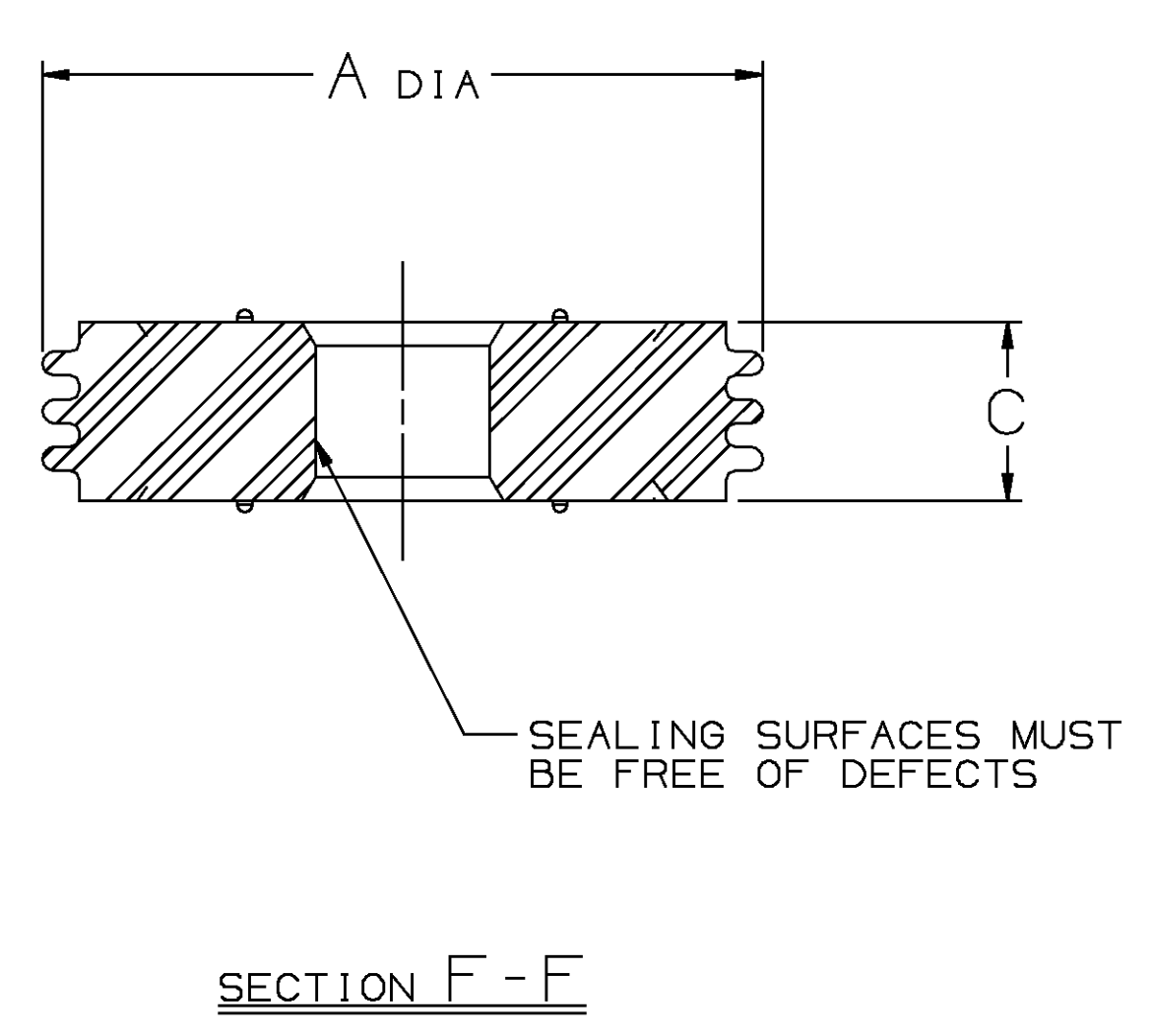
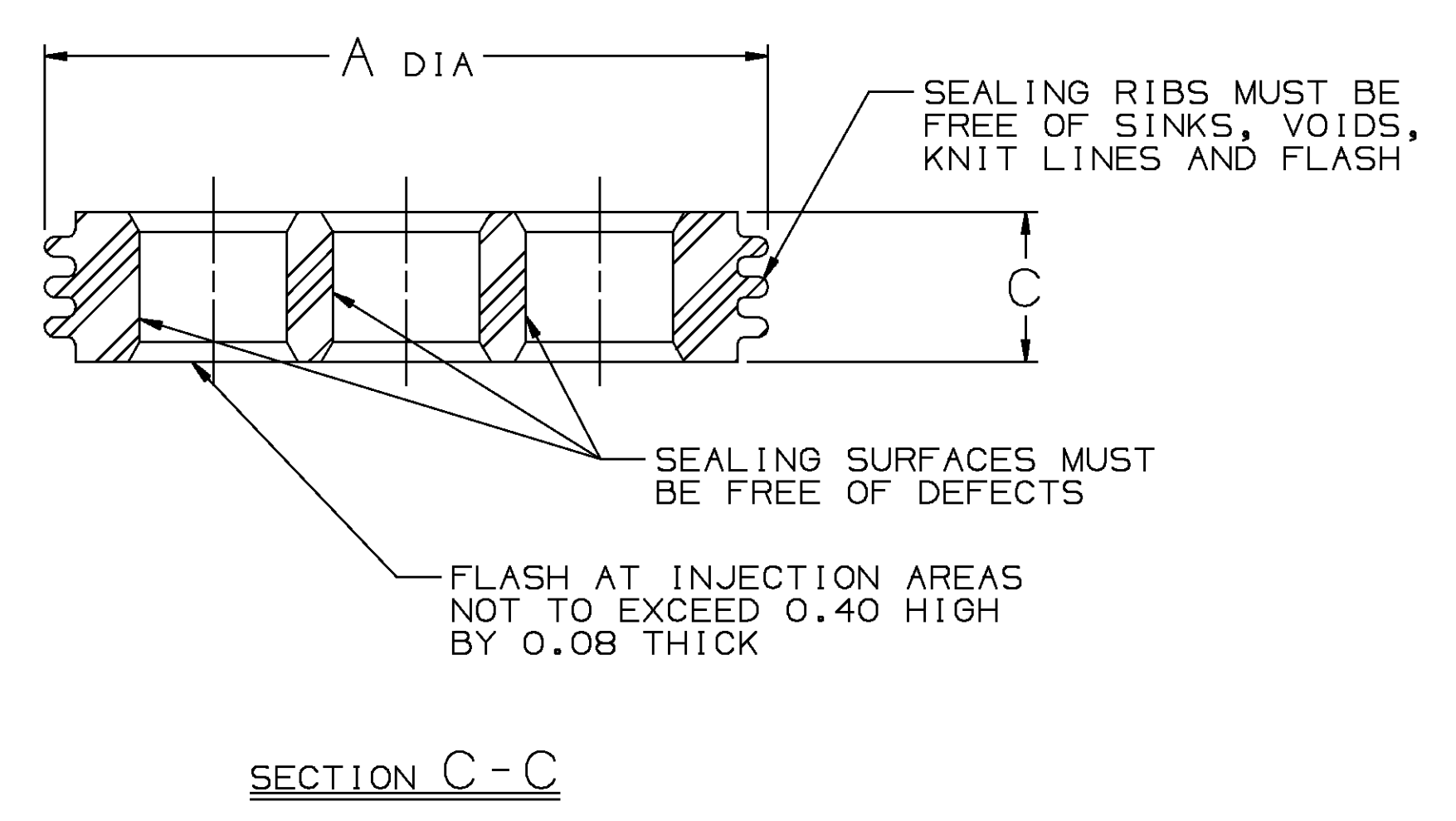
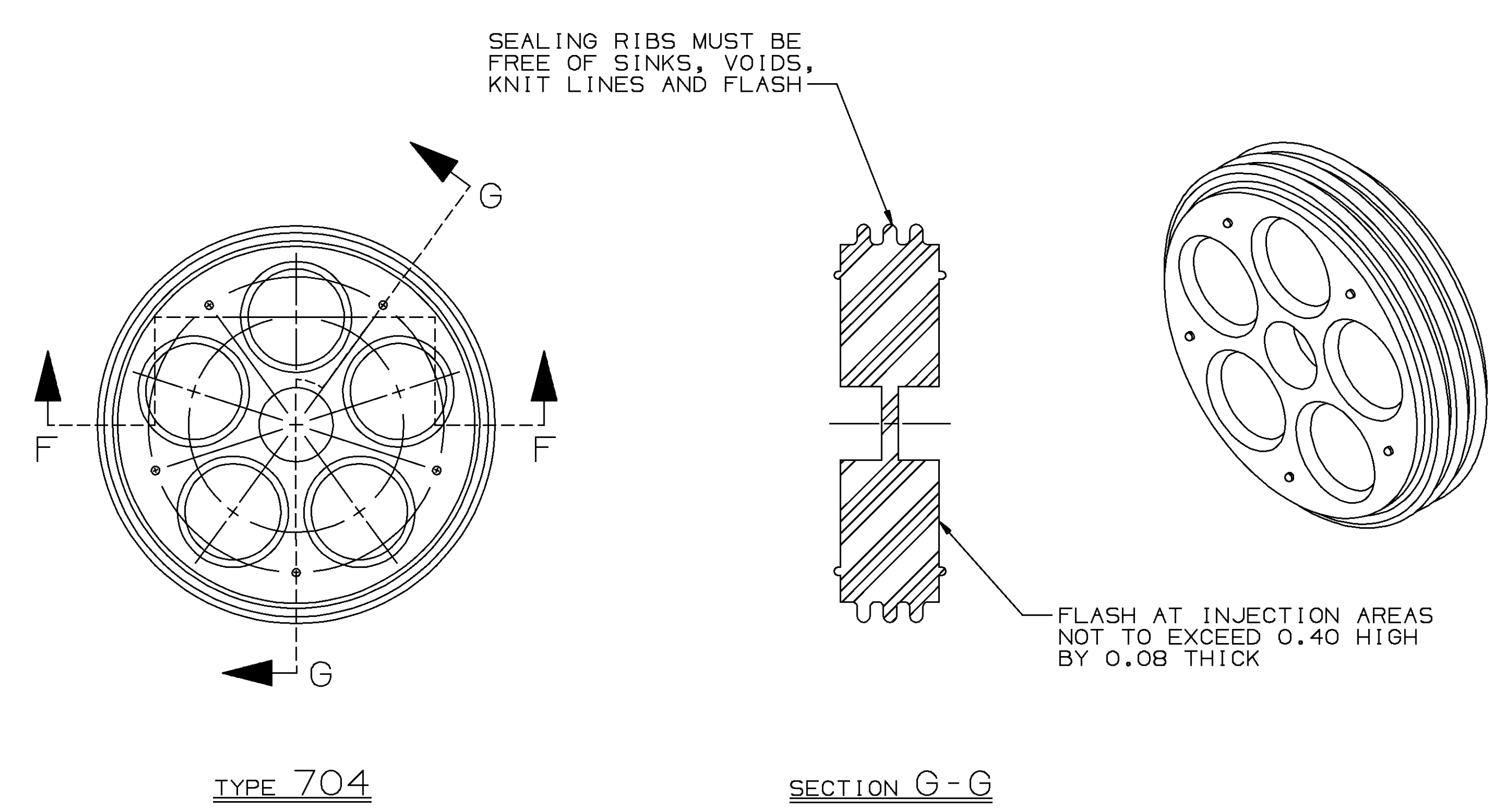
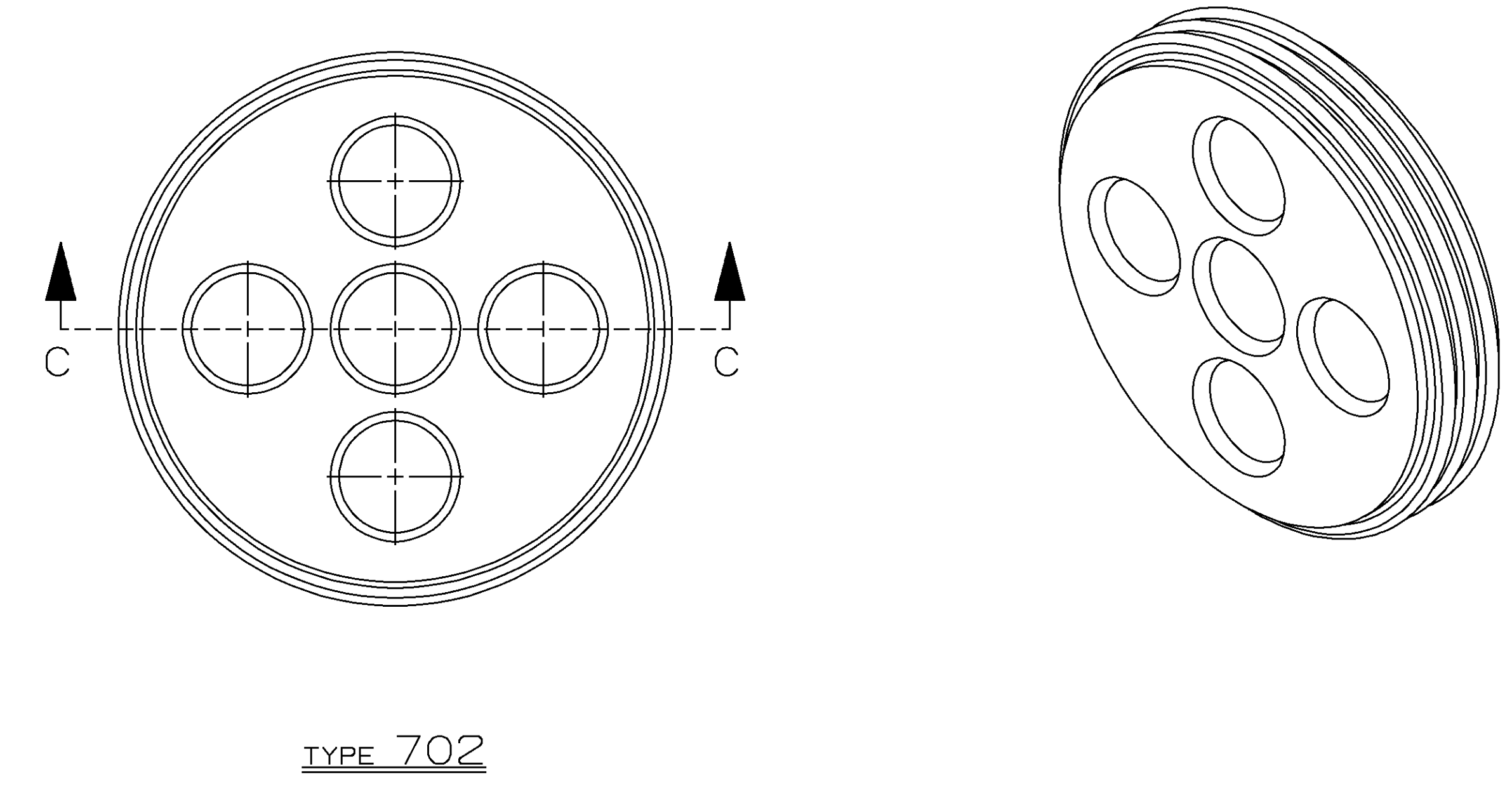
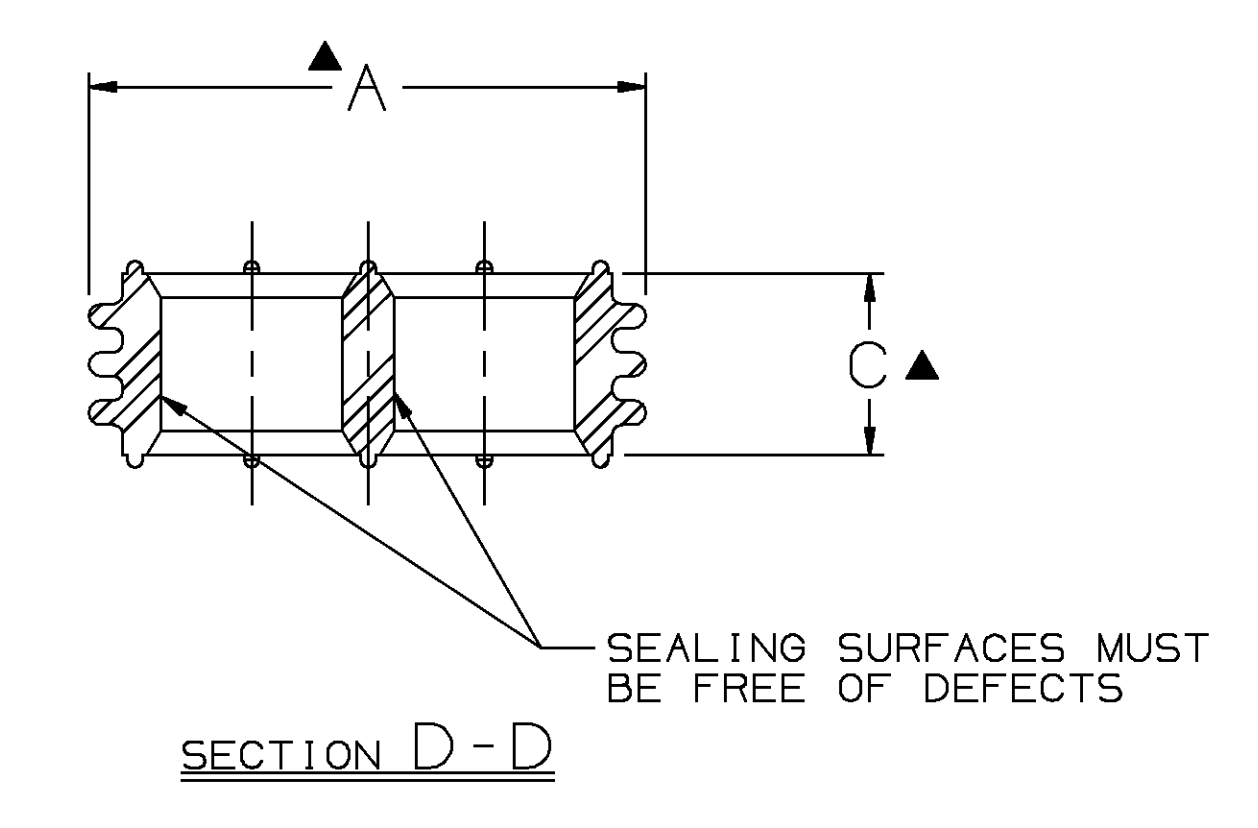
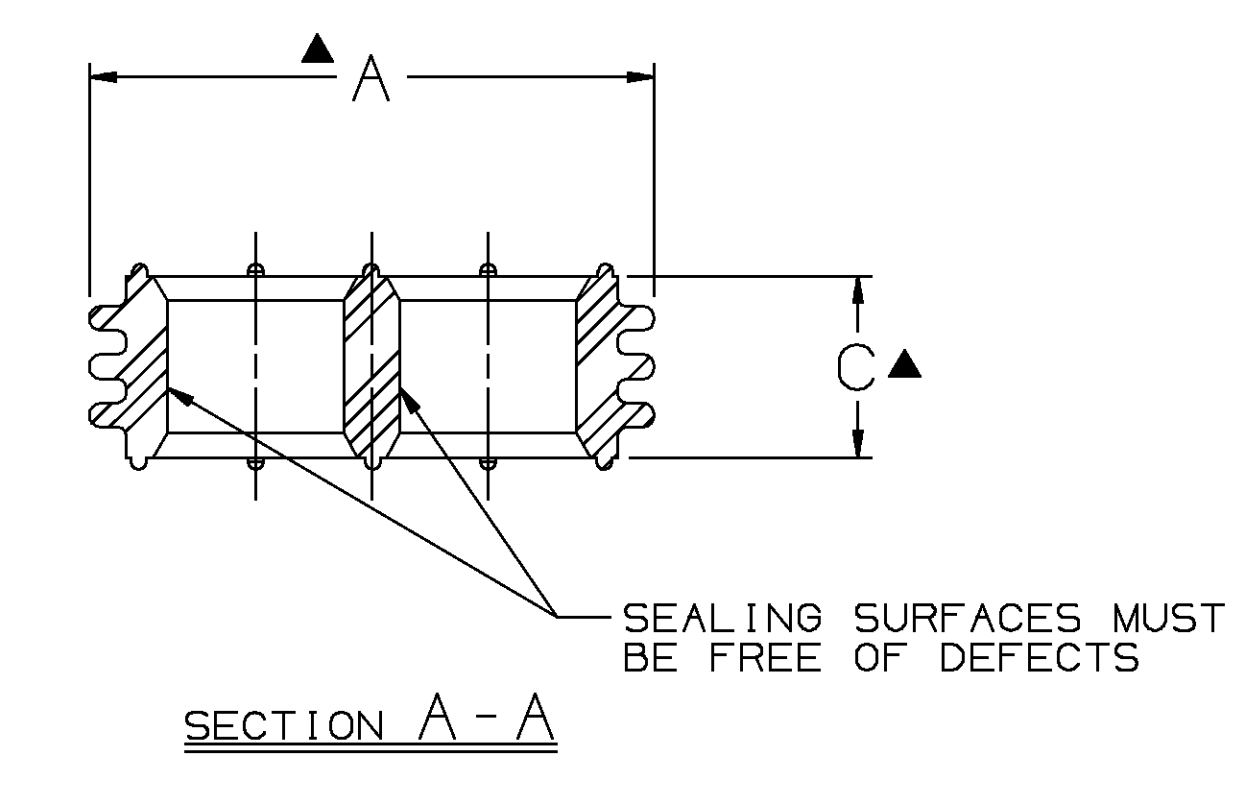
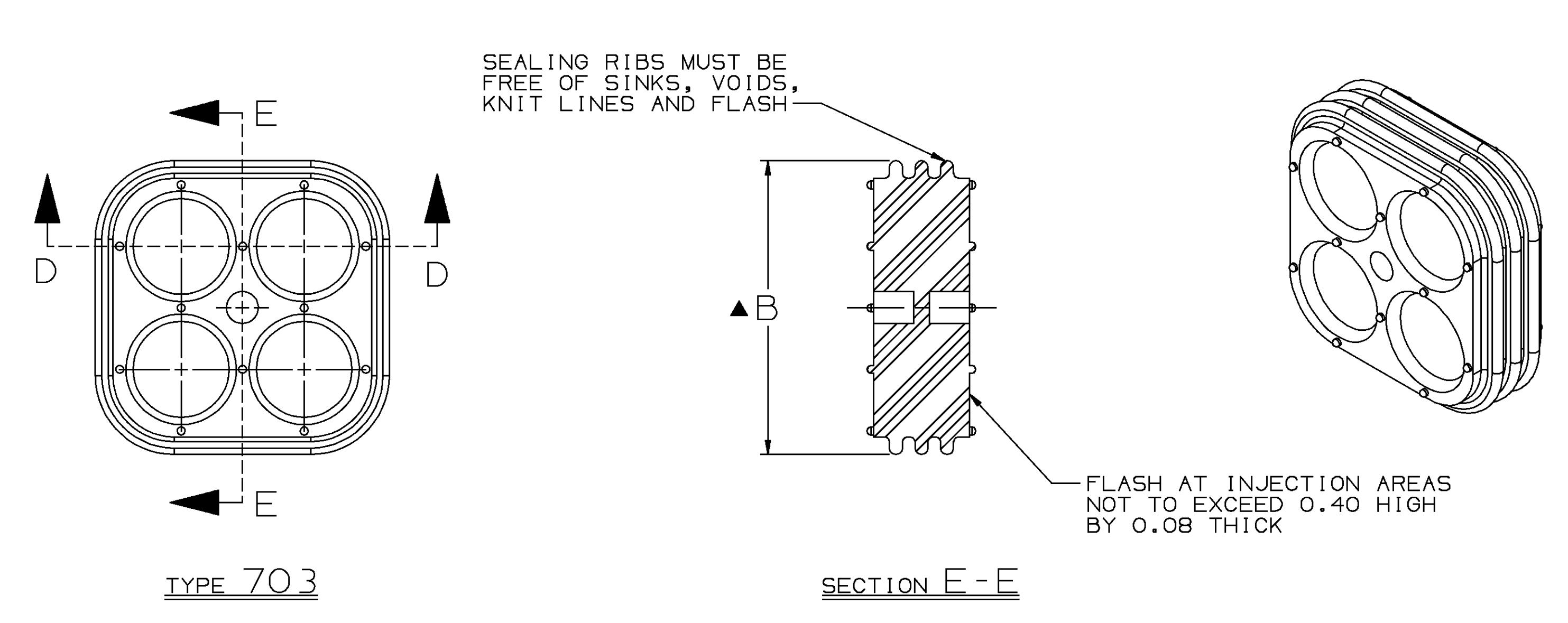
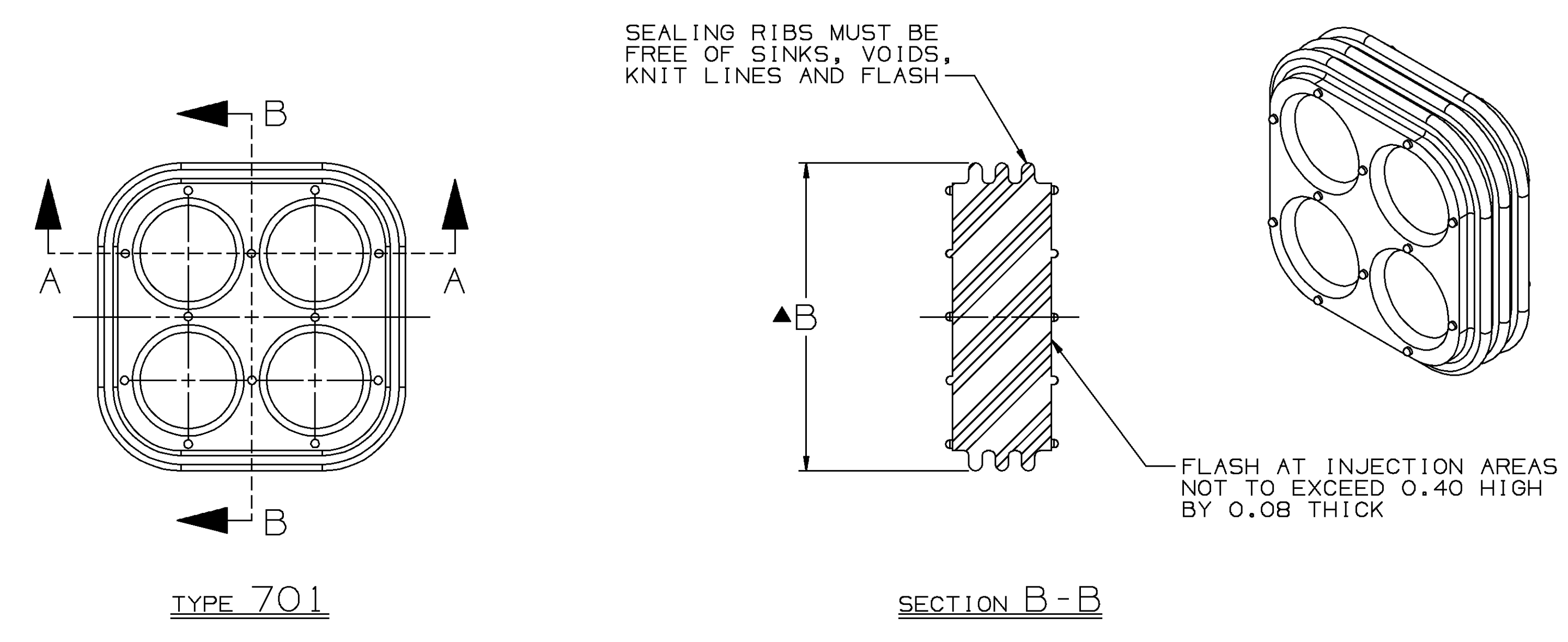


D
H
G
F
E
D
C
B
A

DATE	SYM	REVISION RECORD	AUTH	DR	CK
23.JUL.98		REDRAWN			



- NOTES
- UNLESS OTHERWISE SPECIFIED AND/OR INDICATED: DIMENSIONS ARE TO FACE OF VIEW SHOWN AND AUTOMATICALLY ROUNDED BY COMPUTER FOR INSPECTION. (SEE MATH MODEL FOR PRECISE DIMENSIONS.) FOR ALL OTHER DIMENSIONS NOT SHOWN BUT REQUIRED FOR TOOL BUILD, SEE MATH MODEL FOR PRECISE TOOL PATH DATA.
 - PARTS ARE TO BE PACKAGED IN SEALED PLASTIC BAGS. GROSS WEIGHT INCLUDING CARTON IS NOT TO EXCEED 34 POUNDS.
 - "▲" DENOTES DIMENSIONS THAT ARE CONTROLLED FOR AUTOMATIC PROCESSING.
 - SEALING RIBS ARE IDENTICAL.

PART NO	REV	STATUS	TYPE	MATERIAL SPEC & COLOR	A	B	C	REPLACED BY	TYPICAL MATING CONNECTOR (REF.)
12034278	B		704	R0072821 SIL GRN	24.20		6.00		12034277
12020220	A		703	R0072821 SIL GRN	▲18.40	▲18.40	▲6.00		12015051
12010891	C		702	PM002260-001 SIL	28.85		6.00		12010890
12010162	E	OBSOLETE	701	R0072821 SIL GRN	▲18.70 ^{+0.15} _{-0.40}	▲18.70 ^{+0.15} _{-0.40}	▲6.00		12010158

DRAWING TYPE PID	OTHER DRAWINGS AVAILABLE DETAIL
CODE NO 6901	THIRD ANGLE PROJECTION
DWG DATE 02JLB7	METRIC DIMENSIONS ARE IN MILLIMETERS UNLESS OTHERWISE SPECIFIED
SCALE 4:1	DESIGNER DR PEDRO YABUR 02JUN94
REFERENCE NO	CHK D BRANTINGHAM 05JUN94
MATERIAL SPEC SEE CHART	APPR K D MURPHY 27JUN94
NAME TAXI SEAL CONN	VOL. CM ³
TOLERANCE UNLESS OTHERWISE SPECIFIED: DECIMALS ± 0.3 ONE PLACE ± 0.3 TWO PLACE ± 0.15	PART NUMBER 1207 7524
	SIZE AO
	SHEET 7

PART NO 1207 7524

PART NO 1207 7524