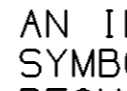
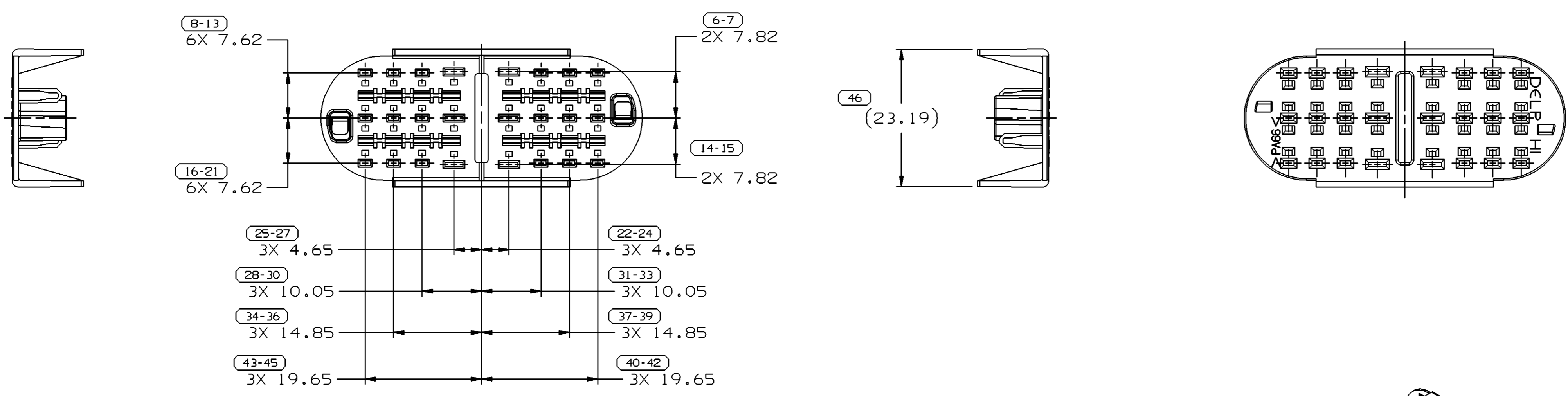
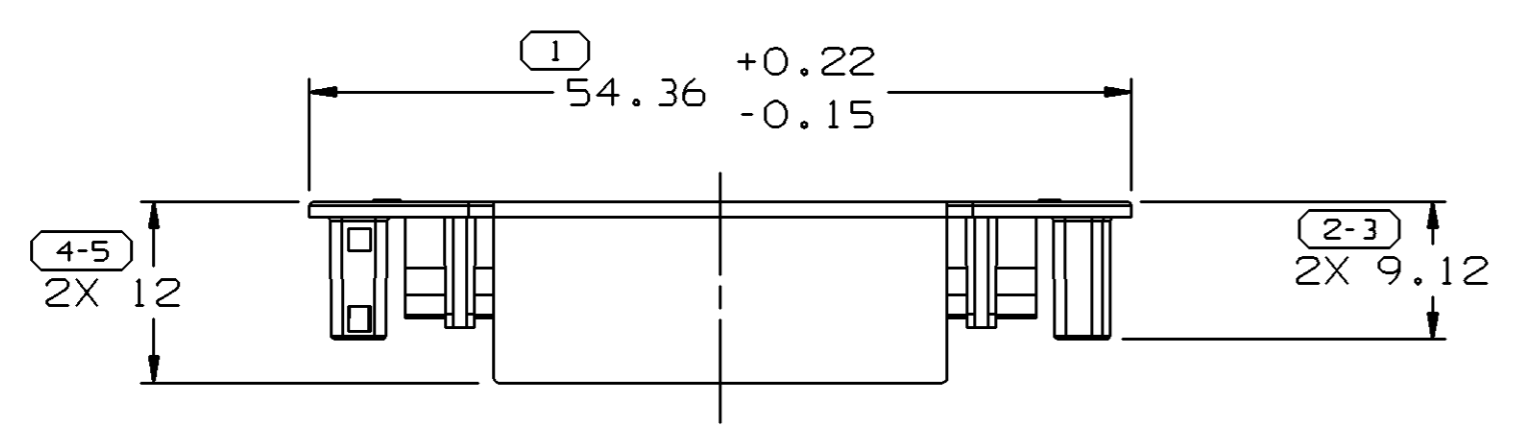


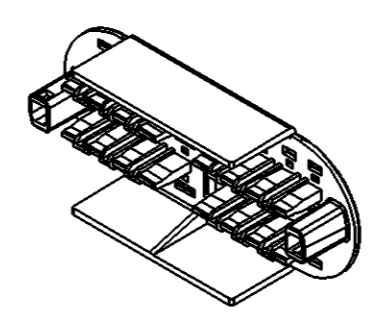
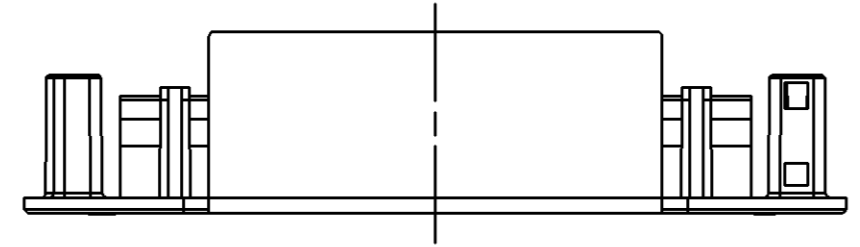
SYMBOL DEFINITION		MISSING NUMBERS	
A DIMENSION WITHOUT AN INSPECTION REPORT SYMBOL  DOES NOT REQUIRE INSPECTION. IT MAY BE CONTROLLED ON AN INDIVIDUAL COMPONENT DRAWING.	TOTAL NO. OF SYMBOLS ON DRAWING	16	
	LAST NO. USED	46	

DWG STATUS					REVISION HISTORY			AUTH	DR	APVD 1	APVD 2	
DATE	STG	REV	N/P	CHG	ZONE							
280C99	R	01	-	-		WAS PE081911 AND RELEASED			990005	JTV	FKV	CK
16DE04	R	01	AA	-		54.36 +0.22/-0.15 WAS 54.36 ±0.15, MATERIAL WAS R0071791, UPDATED NOTES			262588	CJP	CJP	MLP
20JN05	R	02	-	-		REVISED GRAPHICS			269332	JRA	JVM	MLP



NOTES

- UNLESS OTHERWISE SPECIFIED AND/OR INDICATED:  
DIMENSIONS ARE TO FACE OF VIEW SHOWN AND AUTOMATICALLY ROUNDED BY COMPUTER FOR INSPECTION (SEE MATH MODEL FOR PRECISE DIMENSIONS). FOR ALL OTHER DIMENSIONS NOT SHOWN BUT REQUIRED FOR TOOL BUILD, SEE MATH MODEL FOR PRECISE TOOL PATH DATA.
- REFERENCE MATING COMPONENTS OR EQUIVALENT:  
CONNECTOR 15366099
- MATERIAL RECYCLING CODE PER ISO 11469. (1.4)X(0.1) CHARACTERS AS SHOWN TO BE LOCATED ON ANY EXTERIOR SURFACE.
- (1.75)X(0.1) DELPHI CORPORATE BRAND TO BE LOCATED ON ANY EXTERIOR SURFACE, PREFERABLY VISIBLE AT FINAL ASSEMBLY. OPTIONAL CONSTRUCTION FOR EXISTING TOOLING MAY BE "PED".



DIMENSIONAL RANGE (MM)		CHART	E		
FROM	0	> 20	> 30	> 70	> 100
TO	20	30	70	100	> 100
TOLERANCE UNLESS OTHERWISE SPECIFIED					
±0.15   ±0.2   ±0.3   ±0.4   ±0.5					
ANGULAR TOLERANCE ±2°					

DWG TYPE		PART DRAWING	
STYLE			
VOLUME (CM <sup>3</sup> )	DISTR CODE		
2.546	D		
UNLESS OTHERWISE SPECIFIED			
THIS DOCUMENT IS IN ACCORDANCE WITH ASME Y14.5M-1994 AS AMENDED BY THE GM GLOBAL DIMENSIONING AND TOLERANCING ADDENDUM-2001. SEPARATE PATTERNS OF FEATURES MAY BE GAGED SEPARATELY REGARDLESS OF DATUM REFERENCES.			
ALL DIMENSIONS ARE IN MILLIMETERS			
THIRD ANGLE PROJECTION			
DO NOT SCALE		UNIGRAPHICS	
USE MATH DATA			

<b>DELPHI</b>			
DELPHI PACKARD ELECTRIC SYSTEMS WARREN, OH			
DR		DATE	
APVD1	JOSE TAPIA	280C99	
APVD2	FRANCISCO KOPCA	290C99	
APVD3	COURTNEY KROMEDEL	04N099	
APVD4			
APVD5			
SUBSTANCES OF CONCERN AND RECYCLED CONTENT PER DELPHI 10949001			
MATERIAL M3592010 PA66 HS IM BRN			
DRAWING NAME LOCK PLR GT BRN			
DRAWING NUMBER <b>15373422</b>			
SIZE	SCALE	FRAME NO	SHEET NO
A1	2:1	1 OF 1	1 OF 1
STG	REV	N/P	
R	02	-	