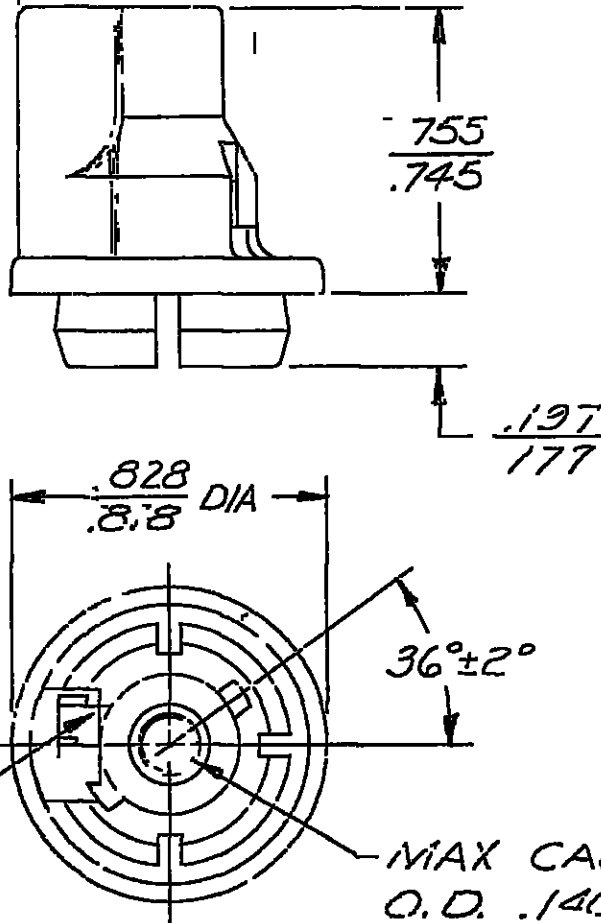


PACKARD ELECTRIC DIVISION
 GENERAL MOTORS CORPORATION
 WARREN, OHIO
 173-ASV (3)

DO NOT SCALE

THIS DRAWING AND DESIGN HEREON CONSTITUTES A PROPRIETARY DESIGN OF PACKARD ELECTRIC DIVISION AND IS NOT TO BE DUPLICATED OR REPRODUCED WITHOUT AUTHORITY OF PACKARD ELECTRIC DIVISION.



USE 2989637
3RD. TERMINAL

MAX CABLE
O.D. .140

NOTES — LP SOCKET TO SNAP INTO .625/.620 DIA. HOLE IN .050/.026 THICK METAL, IN DIRECTION FROM WHICH HOLE IS PUNCHED FOR MINIATURE BAYONET, SINGLE CONTACT TYPE A-1 BASE.

C02D1789

PART NO **2989641** SIZE **A**

DATE	SYM	REVISION RECORD	C/N NO
9-13-64	A	PICTURE REVISED	17719
6-19-65	B	PICTURE REVISED	20932
4-25-67	C	MATL SPEC WAS NYLON 6,6	27774
11-2-76	-	.625/.620 WAS .620/	-
		.625 & .050/.026	-
		WAS .026/.050 IN	-
		NOTES	60823
300C85	-	ADDED CODE 6901	2504
31JA06	G6	UPDATED REV LEVEL	276575

CODENO **6900**
6401

TOLERANCE UNLESS OTHERWISE SPECIFIED

DECIMAL
FRACTIONAL
ANGULAR

DWG DATE **3-5-64** SCALE **NONE** DR **Bauman**

ROUTING CK **B. Wilson 3-7-64**

DEPT APPR

OUTST APPR

REFERENCE APPR **3**

2989637-D SIZE APPR **3**

MATERIAL SPEC **NYLON TYPE 6,6-(BLACK)** CODE NO.

NAME **LAMP SOCKET**
SAE TYPE A-1 BULB BASE

PART NO **2989641** SIZE **A**

OUTLINE DWG.