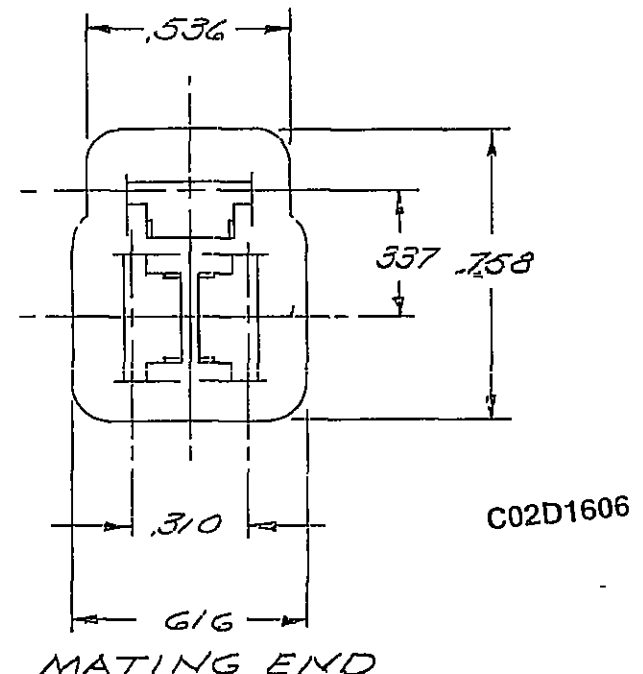
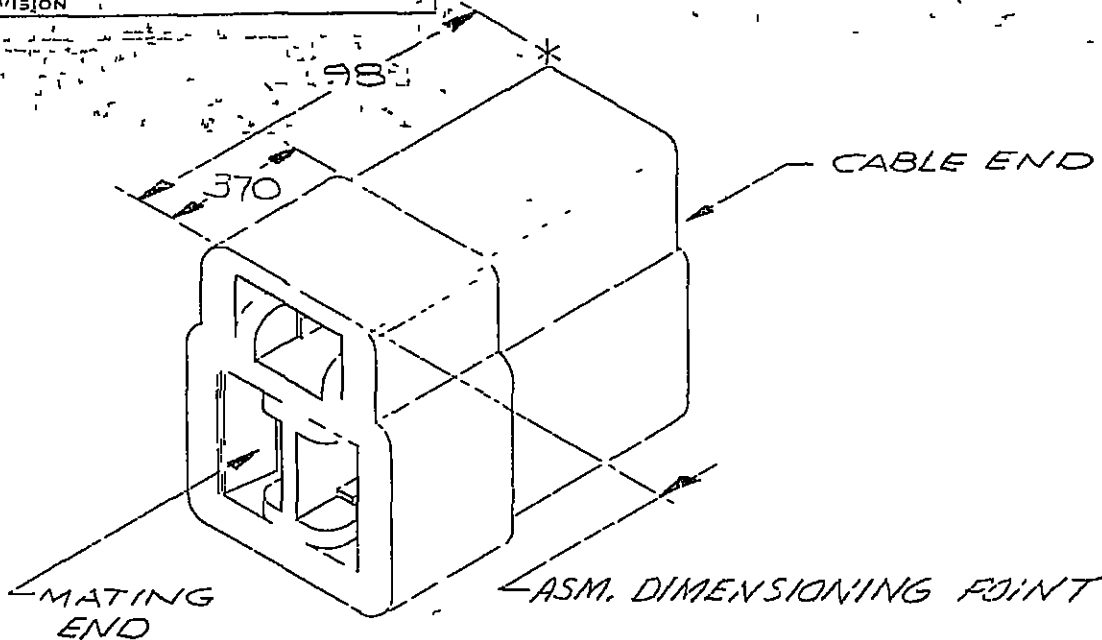


PACKARD ELECTRIC DIVISION
 GENERAL MOTORS CORPORATION
 WARREN, OHIO
 165
 14
 99
 104
 11
 H-V-A
 HR-A
 OS4-A
 AMC-P
 AM-P
 FB-V
 874-2R
 P-10-A
 P-10-B
 P-10-C
 P-10-D
 P-10-E
 P-10-F
 P-10-G
 P-10-H
 P-10-I
 P-10-J
 P-10-K
 P-10-L
 P-10-M
 P-10-N
 P-10-O
 P-10-P
 P-10-Q
 P-10-R
 P-10-S
 P-10-T
 P-10-U
 P-10-V
 P-10-W
 P-10-X
 P-10-Y
 P-10-Z

DO NOT SCALE
 THIS DRAWING AND DESIGN HEREON CONSTITUTE A PROPRIETARY DESIGN OF PACKARD ELECTRIC DIVISION AND IS NOT TO BE DUPLICATED OR REPRODUCED WITHOUT AUTHORITY OF PACKARD ELECTRIC DIVISION



NOTE — MATING CONN. 2965105 & 2977223 REF
 - OUTLINE DRAWING -

PART NO		2973386		SIZE	A
DATE	SYN	REVISION RECORD		C/N NO	
11-14-60	∞	REVISED & REDRAWN		3141	
10-24-61	∞	FILLED POLYPROPYLENE		6058	
		(GRAY) WAS CYCOLAC			
		(BLK.)			
7-26-62	∞	(BLK.) WAS (GRAY)		8904	
5-20-65	∞	PICTURE REVISED		20537	
2-27-70	∞	.98 ± .01 WAS .982 / .970		38750	
8-10-71	∞	REE. WAS 2962335-C		43702	
300085	-	ADDED CODE 6901		85004	
240C05	L3	MAT'L SPEC WAS R - 67557			
		& ADDED ECL TO DWG		274031	

CODE NO **6900**
6901
 TOLERANCE UNLESS OTHERWISE SPECIFIED
 DECIMAL **3 DEC ± .005**
 FRACTIONAL **2 PLC. ± .01**
 ANGULAR

DWG DATE **3-9-59** SCALE **NONE** DR **L SUVERISON!**
 ROUTING CK **Rosen 11-15**
 DEPT APPR
 OUTST
 REFERENCE APPR **"2962895"**
2962895 - "D" SIZE APPR **R. P. KIRK 11-15**

MATERIAL SPEC **M2043002 PP TD40 BLK** CODE NO

NAME
CONN BODY - '56 SERIES
3 FEMALE TERMINALS

PART NO **2973386** SIZE **A**