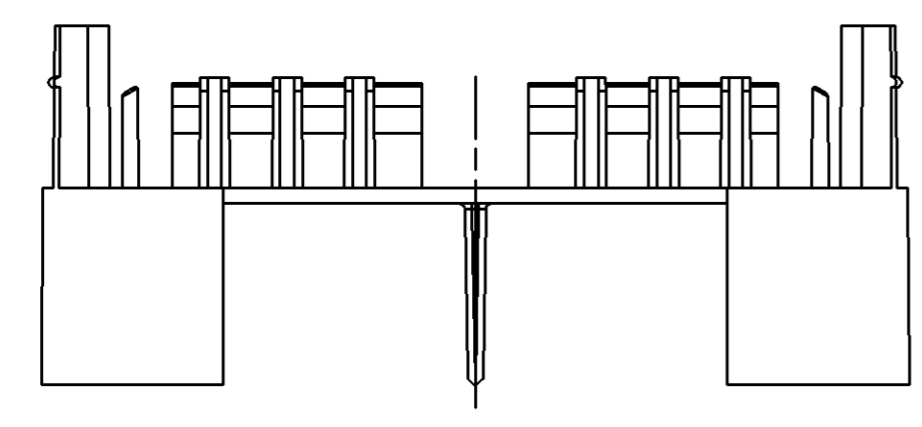
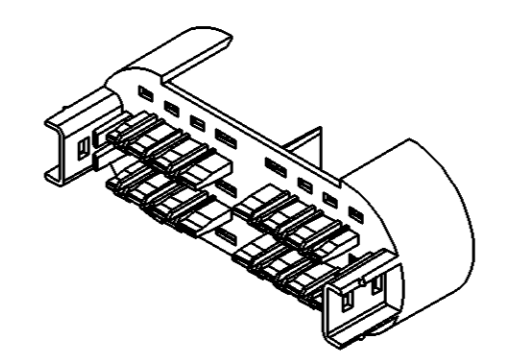
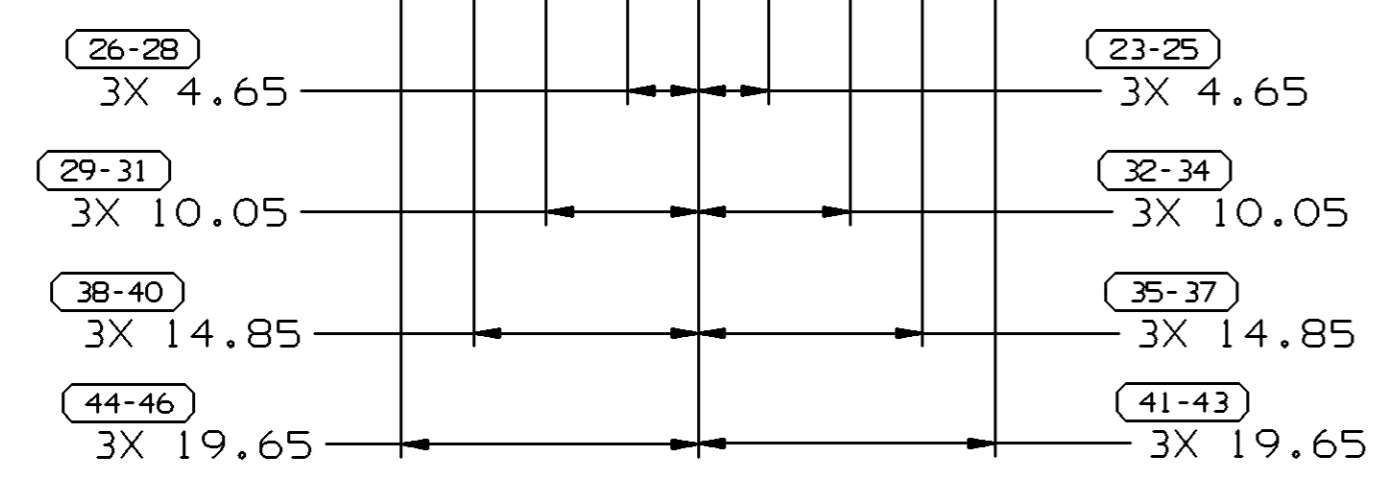
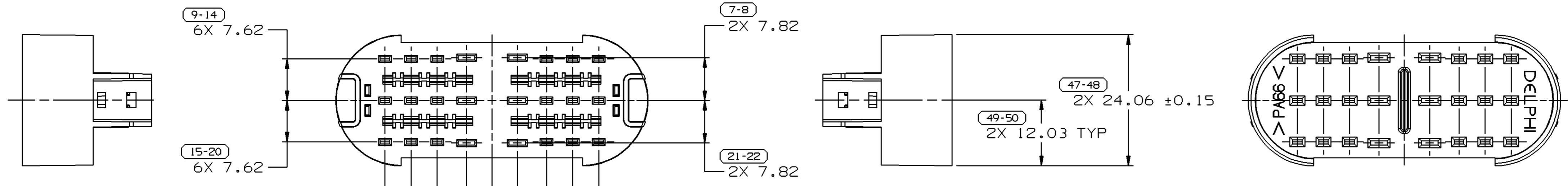
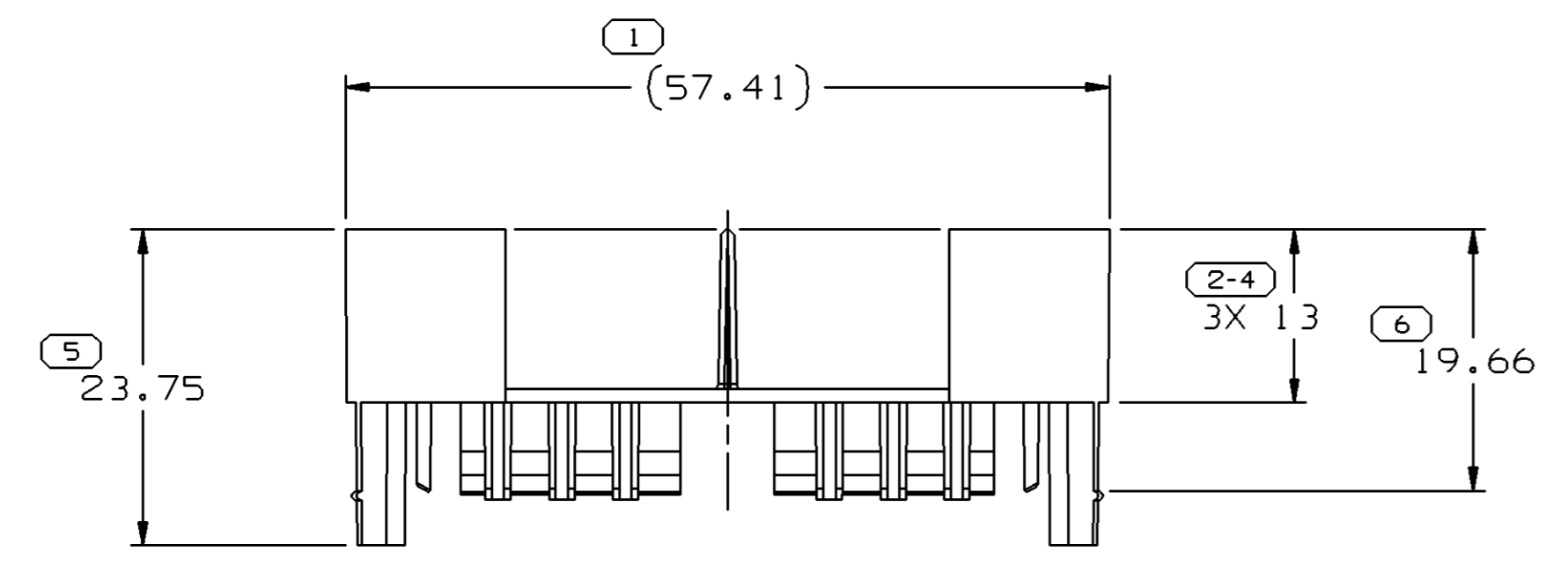


SYMBOL DEFINITION		MISSING NUMBERS		DWG STATUS					REVISION HISTORY		AUTH	DR	APVD1	APVD2
DATE	STG	REV	N/P	CHG	ZONE									
280C99	R	01	-	-		WAS PE081910 AND RELEASED					990005	JTC	RMM	CK
02DE99	R	02	-	-		PART - REVISED, REV TO "02"					197579	JEB	JEB	CM
22MY00	R	02	AA	-		UPDATED PDM ATTRIBUTES					200215	AAS	G61	CM
20JA05	R	03	-	-		REMOVED REPAIR WINDOWS (32PLCS); REVISED MAT'L SPEC AND NOTES.					263608	DAD	DAD	MLP



NOTES

- UNLESS OTHERWISE SPECIFIED AND/OR INDICATED: DIMENSIONS ARE TO FACE OF VIEW SHOWN AND AUTOMATICALLY ROUNDED BY COMPUTER FOR INSPECTION (SEE MATH MODEL FOR PRECISE DIMENSIONS). FOR ALL OTHER DIMENSIONS NOT SHOWN BUT REQUIRED FOR TOOL BUILD, SEE MATH MODEL FOR PRECISE TOOL PATH DATA.
- MATERIAL RECYCLING CODE >PA66< PER SAE J1344 TO APPEAR ON PART.
- MATING COMPONENTS OR EQUIVALENT: CONNECTOR 15336173, 15486591, AND 15488828.

(5) PROCESS SENSITIVE DIMENSION

DIMENSIONS ENCLOSED IN () INDICATE REFERENCE DIMENSIONS AND NO TOLERANCE LIMITS ARE ESTABLISHED

DIMENSIONAL RANGE (MM)	CHART E1
FROM > 0	> 20
TO 20	30
> 30	70
> 70	100
> 100	150
> 150	200
> 200	250
> 250	300
> 300	400

TOLERANCE UNLESS OTHERWISE SPECIFIED

±0.15	±0.2	±0.3	±0.4	±0.5	±0.6	±0.8	±1	±1.2
-------	------	------	------	------	------	------	----	------

ANGULAR TOLERANCE ±2°

DWG TYPE PART DRAWING	
STYLE	
VOLUME (CM³) 3.320	DISTR CODE D
UNLESS OTHERWISE SPECIFIED THIS DOCUMENT IS IN ACCORDANCE WITH ASME Y14.5M-1994 AS AMENDED BY THE GM GLOBAL DIMENSIONING AND TOLERANCING ADDENDUM-2001. SEPARATE PATTERNS OF FEATURES MAY BE GAGED SEPARATELY REGARDLESS OF DATUM REFERENCES.	
ALL DIMENSIONS ARE IN MILLIMETERS	
REFERENCE 001, 701	
THIRD ANGLE PROJECTION	DO NOT SCALE
USE MATH DATA	UNIGRAPHICS

DELPHI	
DELPHI PACKARD ELECTRIC SYSTEMS WARREN, OH	
DR	DATE
APVD1 JACOB TREJO C	280C99
APVD2 R MOYSEN M	04N099
APVD3 COURTNEY MANSKY	09N099
APVD4	
APVD5	
SUBSTANCES OF CONCERN AND RECYCLED CONTENT PER DELPHI 10949001	
MATERIAL M3592012	
DRAWING NAME LOCK PLR GT BLU	
DRAWING NUMBER 15373421	
SIZE A1	SCALE 2:1
FRAME NO 1 OF 1	SHEET NO 1 OF 1
STG R	REV 03
N/P -	