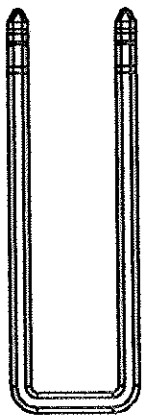
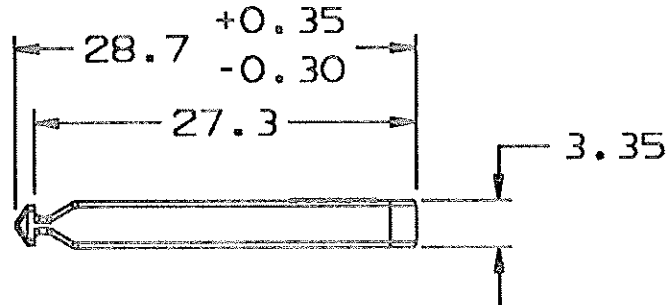
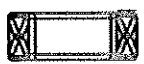
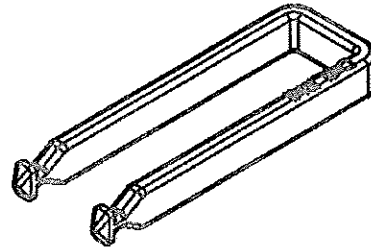
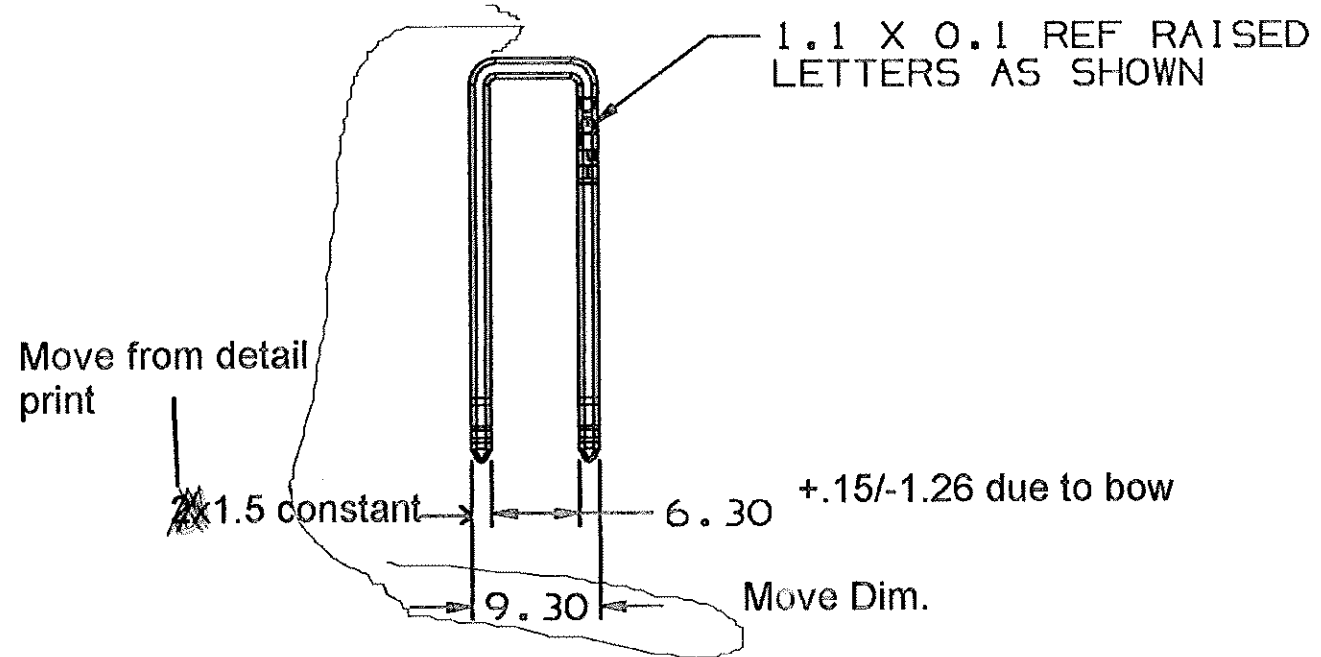


PACKARD ELECTRIC DIVISION
GENERAL MOTORS CORPORATION
WARREN, OHIO

DO NOT SCALE

D

PART NO
1219 3931



Temporary Production Print
C/N 285742

Approval Tom Mandala Date 16OCT06

Approval Tom Mandala Date 10/16/06

- NOTES — 1. MATING COMPONENTS:
CONNECTORS
- | | |
|----------|----------|
| 12193922 | 12193927 |
| 12193923 | 12193928 |
| 12193924 | 12193929 |
| 12193925 | 12193930 |

DATE	SYM	REVISION RECORD	AUTH	DR	CK
15AP96	A	WAS PEO42B1B, RELEASED	960005	TLW	TLW
07AP99	A1	CHANGED "PED" LOGO TO "DELPHI" LOGO AND			
		CHANGED 26.05 DIM TO			
		25.75	193341	JEB	JEB
	A2	9.3 dim. moved, dim. 1.5 moved from detail print, tol. for 6.3 was +/- .15.			
		CN285742			

PART NO
1219 3931

Unigraphics II		METRIC	
THIRD ANGLE PROJECTION		DIMENSIONS ARE IN MILLIMETERS UNLESS OTHERWISE SPECIFIED	
		TOLERANCE UNLESS OTHERWISE SPECIFIED DECIMAL: ANGULAR ± 2°	
CODE NO	QC	ONE PLACE ± 0.3	TWO PLACE ± 0.15
6900		DES	
DWG DATE	15AP96	DRTIM WARD	15AP96
SCALE	2:1	CKTIM WARD	15AP96
REFERENCE NO	1293931 "A1" SIZE	APPR DAVE HEFFNER	06MY96
		VOL CM ³	0.290
MATERIAL SPEC R0100111 PBT-BLUE			
NAME TPA M/P 280 2X3 6W			
PART NUMBER		SIZE	
1219 3931		A2	
PRODUCT INFORMATION DWG			