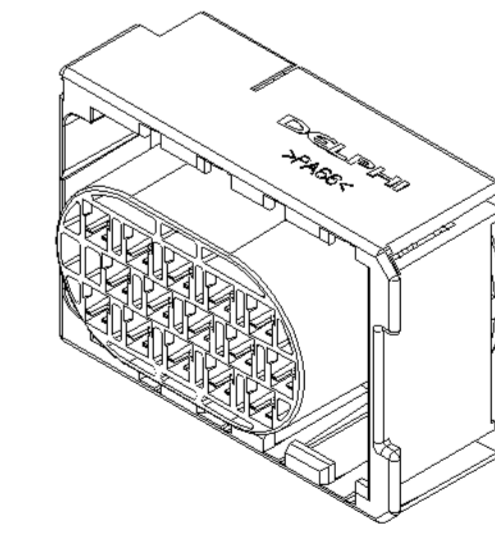
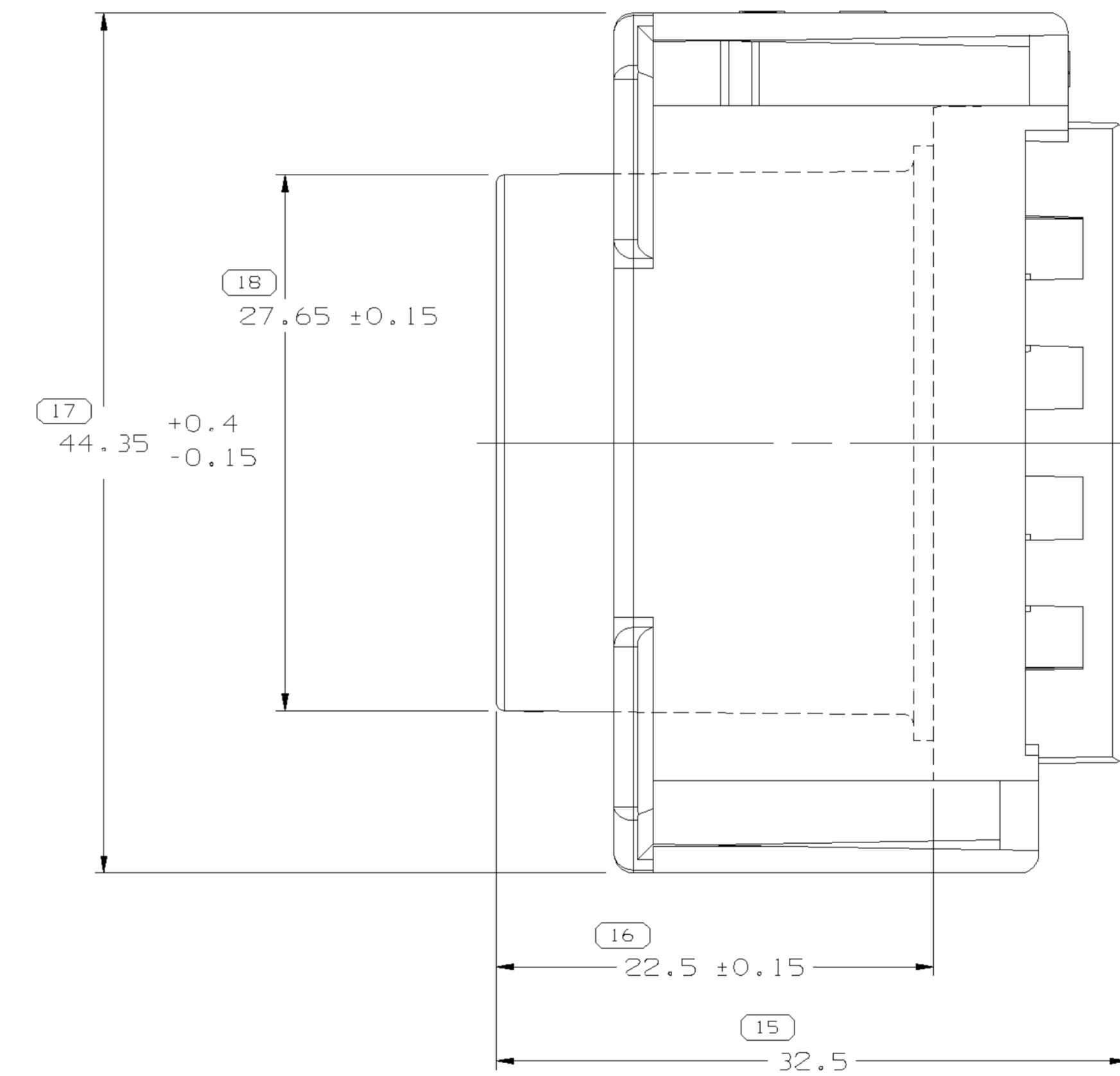
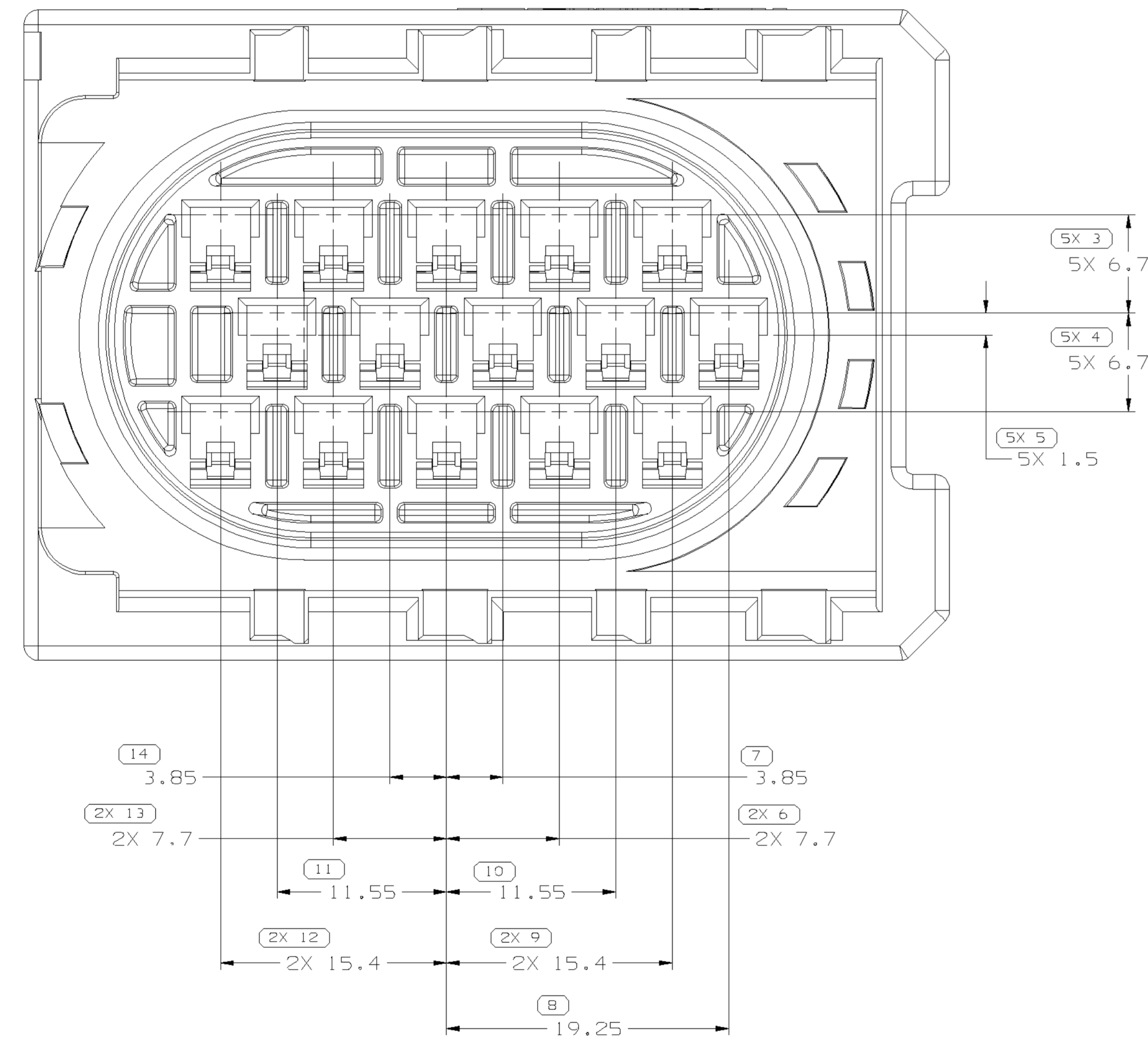
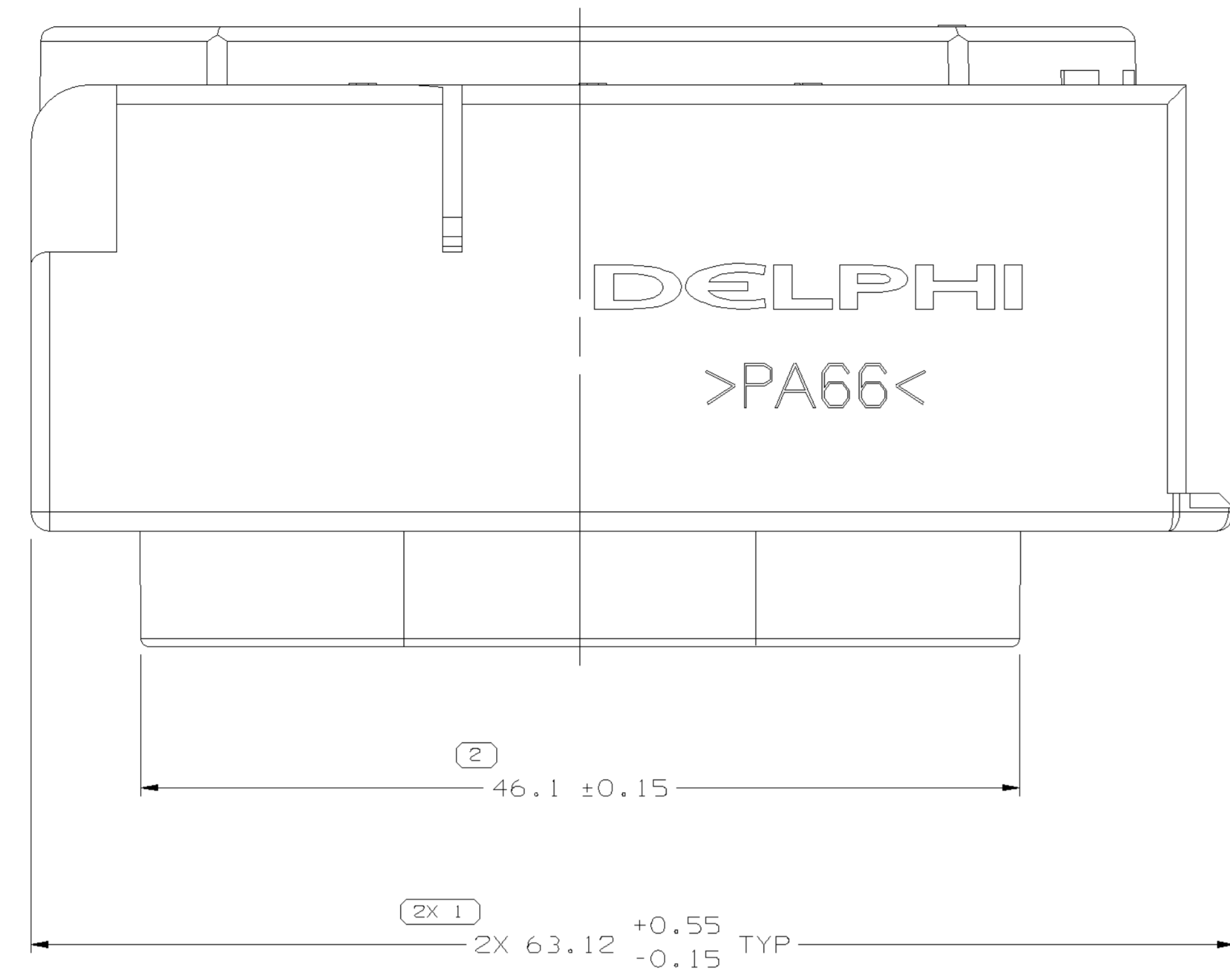
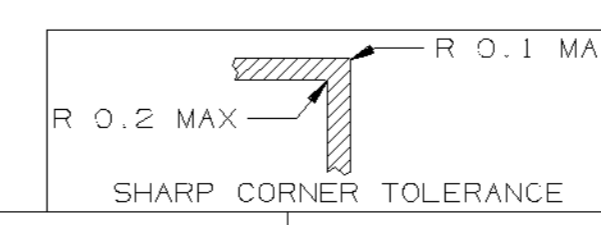


| SYMBOL DEFINITION | | MISSING SYMBOLS | | DWG STATUS | | REVISION HISTORY | | AUTH | |
|--|---------------|----------------------------------|--------------------------|------------|-----|------------------|-----|------|---------------|
| A DIMENSION WITHOUT AN INSPECTION REPORT SYMBOL DOES NOT REQUIRE INSPECTION. IT MAY BE CONTROLLED ON THE INDIVIDUAL COMPONENT DRAWING. | | TOTAL NO OF INSPECTIONS REQUIRED | NO MISSING SYMBOL NUMBER | DATE | STG | REV | CHG | N/P | ZONE |
| | | 35 | | 05DEC01 | R | D1 | - | - | REDRAWN TO PD |
| | LAST NO. USED | 18 | | | | | | | 000009 |



NOTES

- UNLESS OTHERWISE SPECIFIED AND/OR INDICATED: DIMENSIONS ARE TO FACE OF VIEW SHOWN AND AUTOMATICALLY ROUNDED BY COMPUTER FOR INSPECTION (SEE MATH MODEL FOR PRECISE DIMENSIONS). FOR ALL OTHER DIMENSIONS NOT SHOWN BUT REQUIRED FOR TOOL BUILD, SEE MATH MODEL FOR PRECISE TOOL PATH DATA.
- MATING COMPONENTS OR EQUIVALENT:
CONNECTOR 12161187
TERMINAL 12110853, 12110846
SECONDARY TERMINAL LOCK 12110782
MAX CABLE OD 3.85
CONNECTOR SEAL 12110822
CABLE SEAL: SEE DETAIL DRAWING 12010295 FOR COMPATIBLE OD RANGE
- THIS PART ACCEPTS THE FOLLOWING COMPONENTS OR EQUIVALENT:
SLIDE 12161185
- THIS PART IS NOT CONTROLLED FOR AUTOMATIC FEEDING



| DIMENSIONAL RANGE (MM) | | TOLERANCE UNLESS OTHERWISE SPECIFIED | |
|------------------------|-------|--------------------------------------|------------------------|
| FROM | TO | TOLERANCE | ANGULAR TOLERANCE ± 2' |
| 0 | > 20 | ± 0.15 | |
| > 20 | > 30 | ± 0.2 | |
| > 30 | > 70 | ± 0.3 | |
| > 70 | > 100 | ± 0.4 | |
| > 100 | > 150 | ± 0.5 | |
| > 150 | > 200 | ± 0.6 | |
| > 200 | > 250 | ± 0.8 | |
| > 250 | > 300 | ± 1 | |
| > 300 | > 400 | ± 1.2 | |

| | | | |
|---|--------------------|---|---------|
| DELPHI Automotive Systems | | PART DRAWING | |
| MATERIAL SPEC R0071754 PA66 HS 1M-BLK | | DISTR CODE D | |
| CODE NUMBER 6900,6901 | DWG DATE 25NO92 | SCALE 4:1 | D |
| OC SPEC | STYLE | VOLUME cm ³ 24.117 | |
| PART GEOMETRY 3D SOLID | | UNLESS OTHERWISE SPECIFIED: THIS DOCUMENT IS IN ACCORDANCE WITH ASME Y14.5M - 1994 AS AMENDED BY THE GM GLOBAL DIMENSIONING AND TOLERANCING ADDENDUM - 1997. ALL GEOMETRIC TOLERANCES AND RELATED DATUMS APPLY RFS. RULE #1 (PERFECT FORM AT MMC) DOES NOT APPLY WHEN RELATIONSHIP BETWEEN FEATURES IS ESTABLISHED BY ORIENTATION OR LOCATION TOLERANCES. SEPARATE POSITION CALLOUTS MAY BE GAGED SEPARATELY REGARDLESS OF DATUM REFERENCES. | |
| COPY OF MATH DATA DO NOT SCALE | | REFERENCE | DATE |
| METRIC UNLESS OTHERWISE SPECIFIED, ALL DIMENSIONS ARE IN MILLIMETERS | | DR APVD1 R. CHACON | 05DEC01 |
| THIRD ANGLE PROJECTION | | APVD2 R. CHACON | 05DEC01 |
| DRAWING NAME CONN 15F M/P 280 FLXK SLD | | APVD3 R. CORZAS | 06DEC01 |
| SHEET NUMBER 1 OF 1 | | APVD4 | |
| DRAWING NUMBER 12161186 | | APVD5 | |
| DWG STATUS R DI - | | SIZE A0 | |