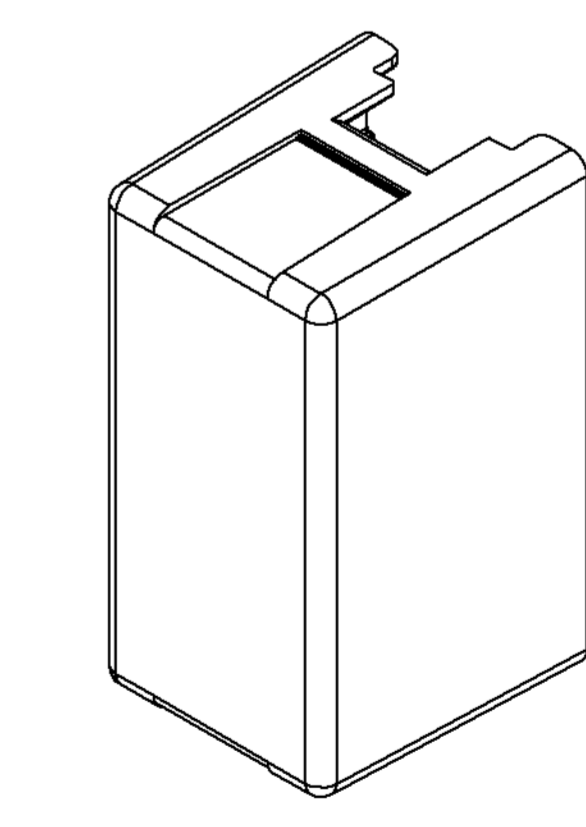
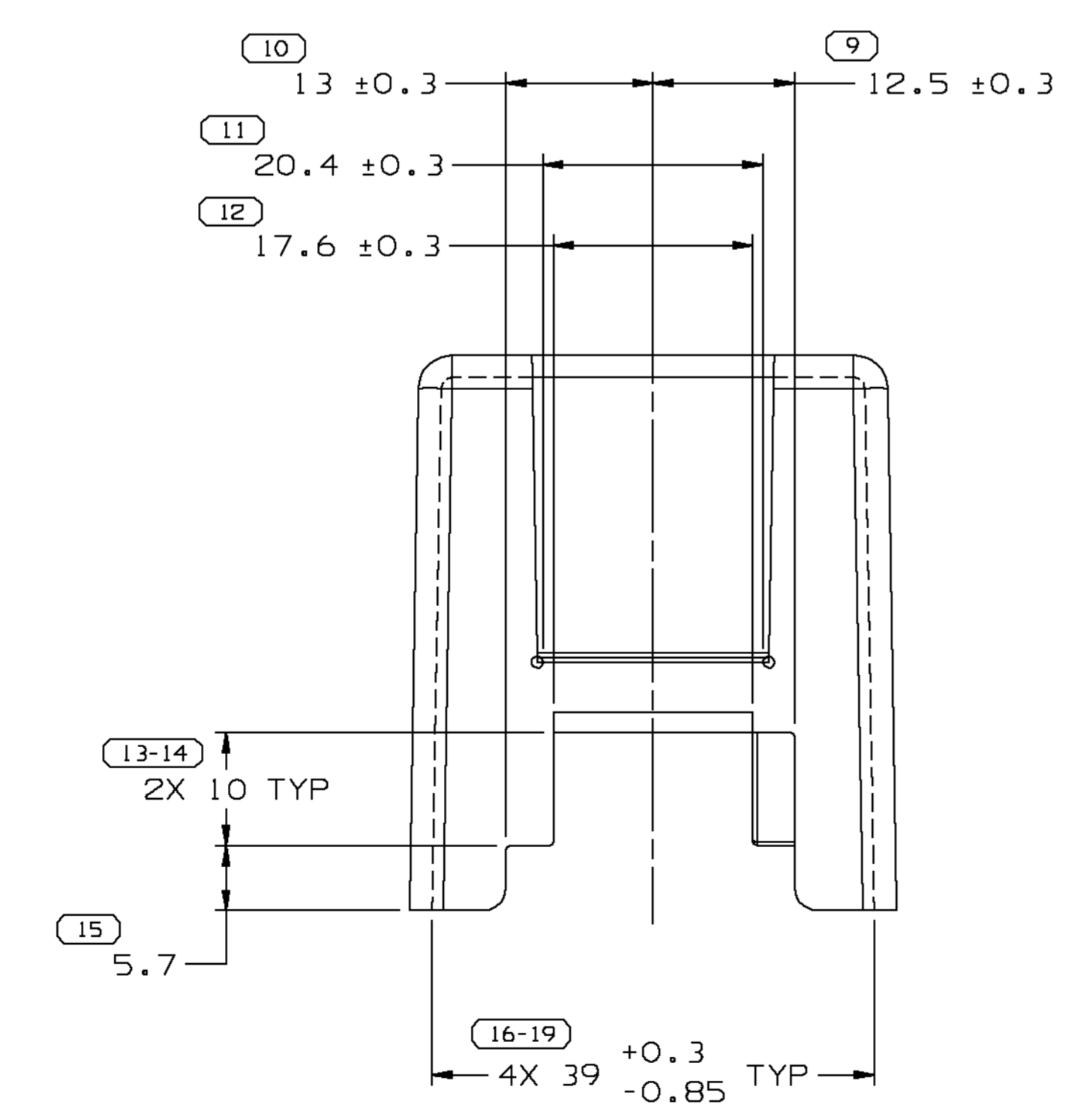
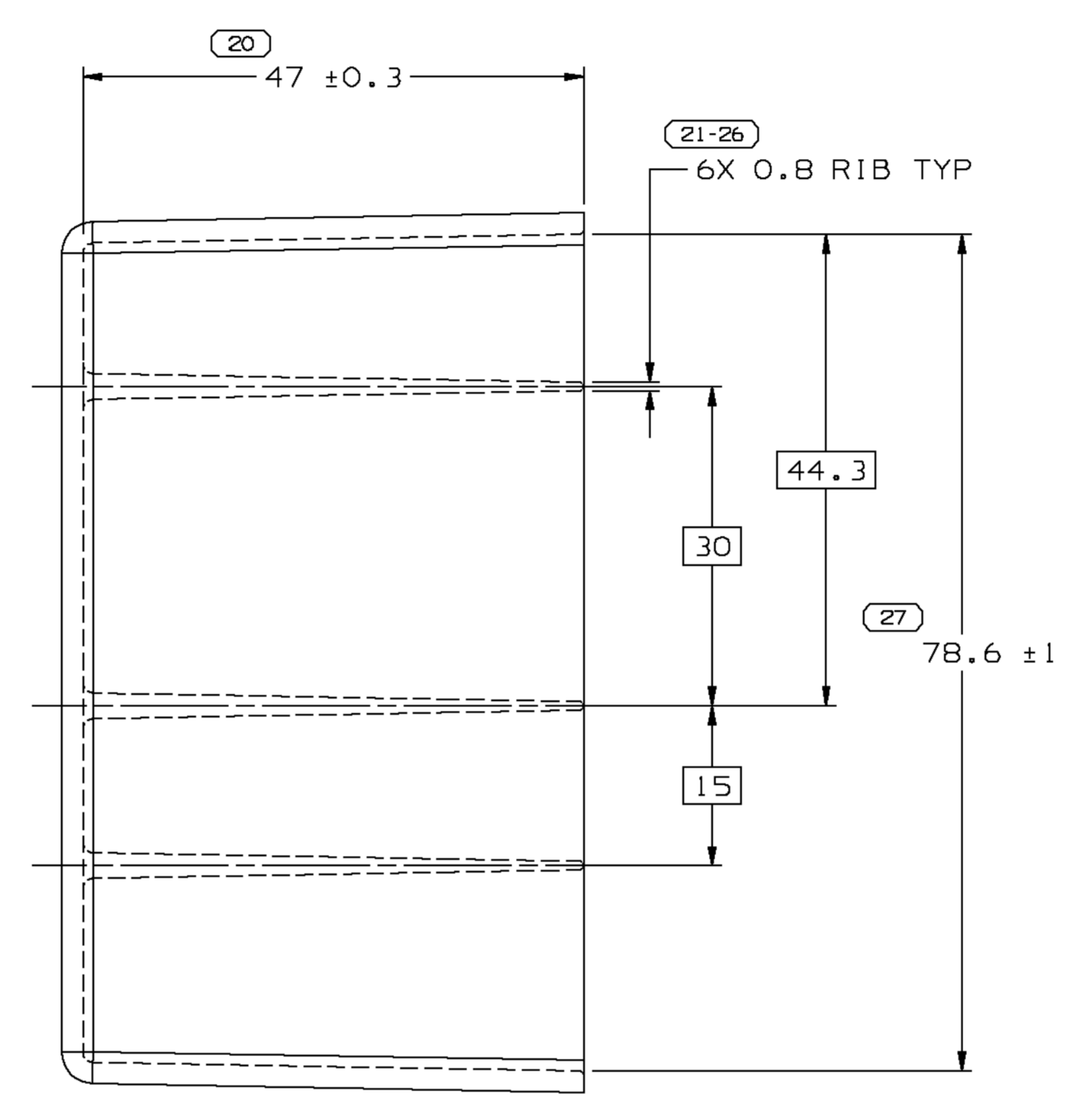
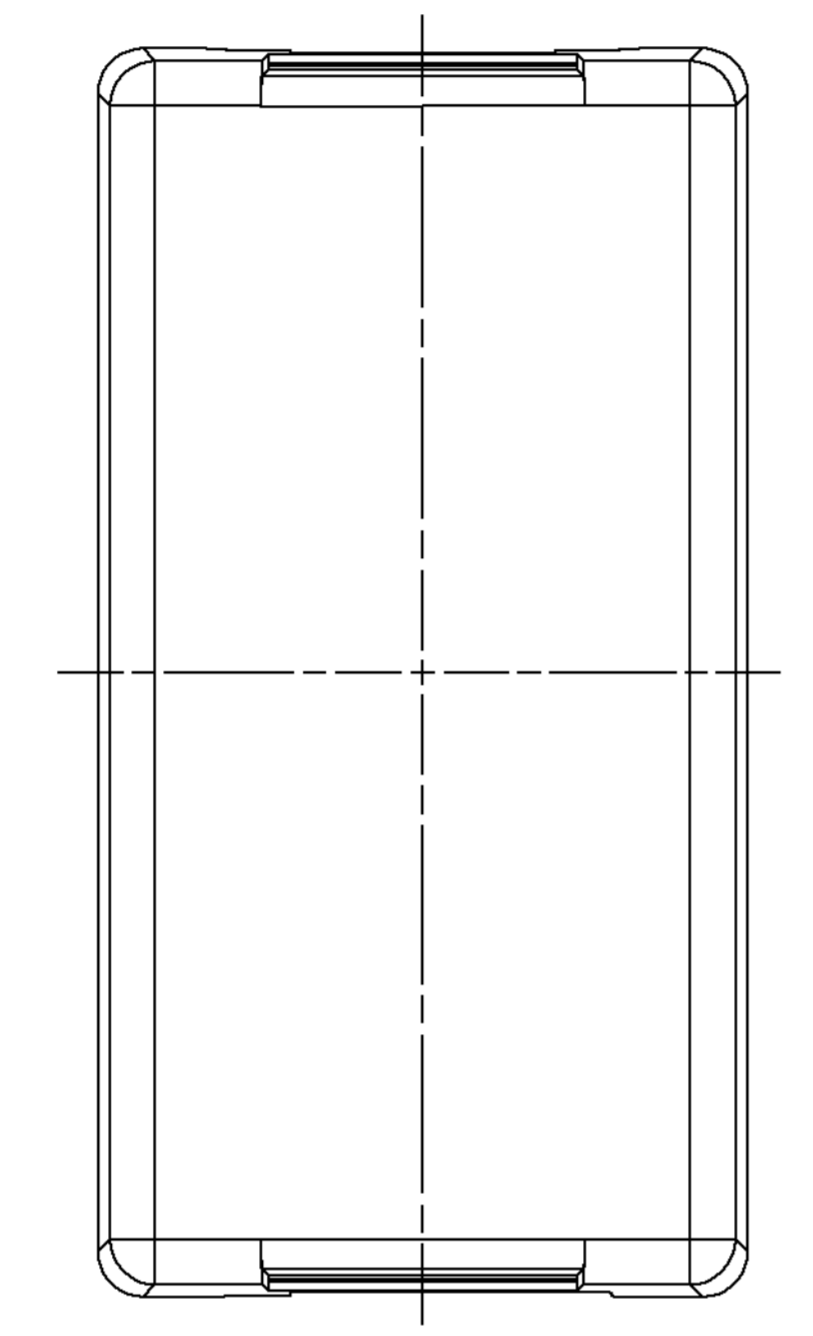
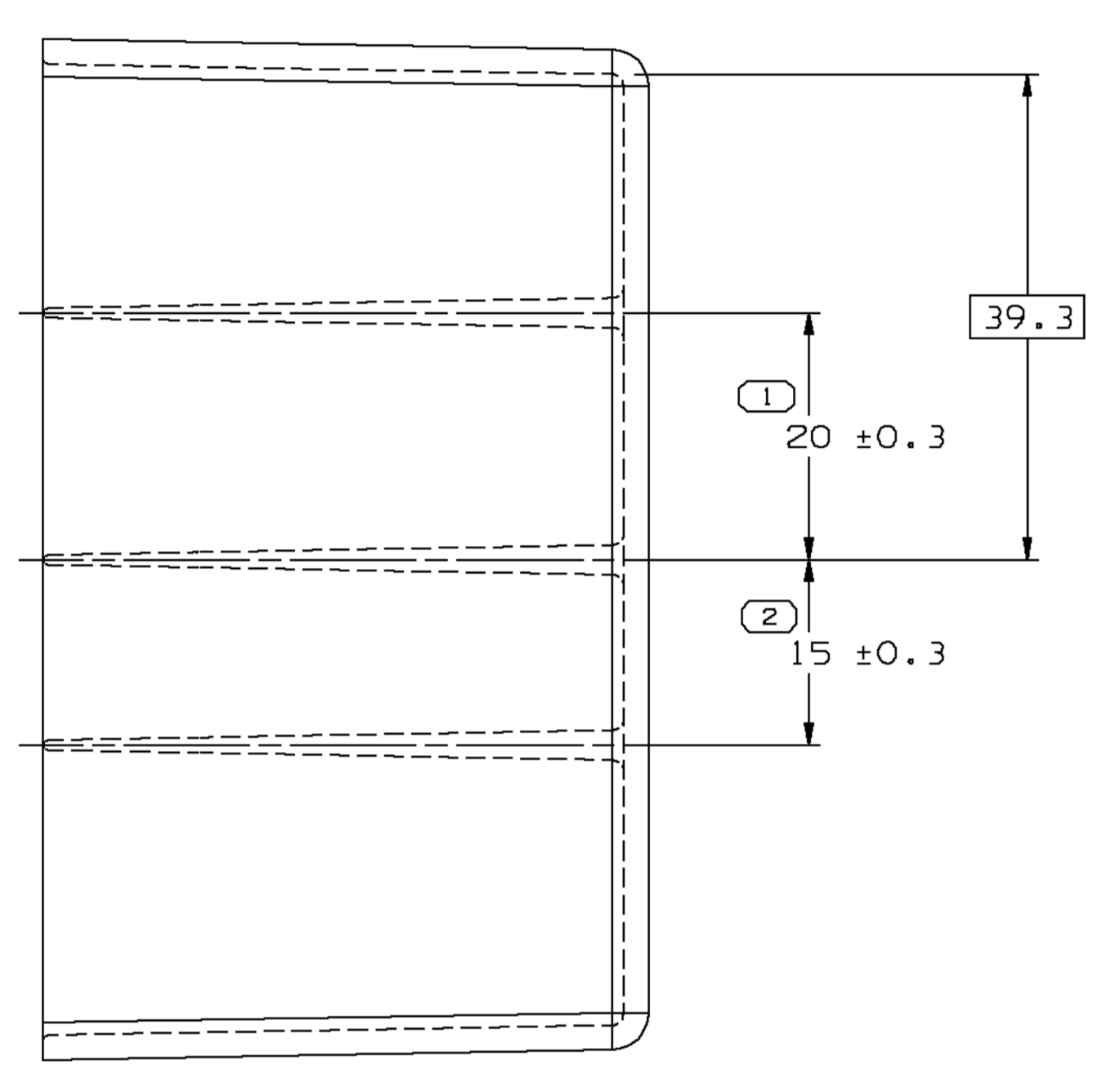
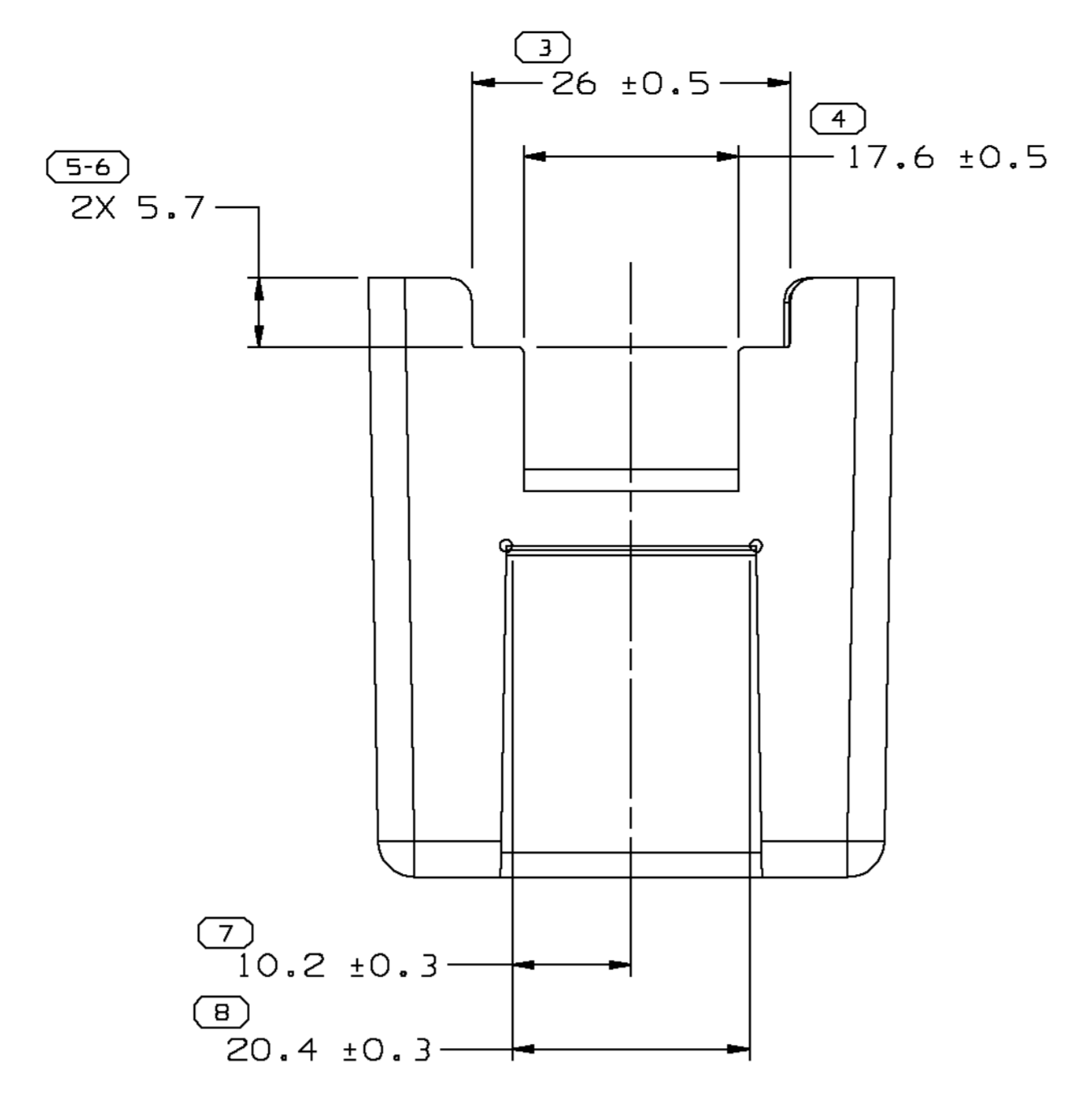


SYMBOL DEFINITION		MISSING NUMBERS	
A DIMENSION WITHOUT AN INSPECTION REPORT SYMBOL $\square$ DOES NOT REQUIRE INSPECTION. IT MAY BE CONTROLLED ON AN INDIVIDUAL COMPONENT DRAWING	TOTAL NO. OF SYMBOLS ON DRAWING	17	
	LAST NO. USED	27	

DWG STATUS					REVISION HISTORY			AUTH	DR	APVD	APVD
DATE	STG	REV	W/P	CHG	ZONE						
14FE01	R	J2	-	-		DIM 39 +0.3/-0.85 WAS 39 +/-0.3	206418	ESF	ESF	JH	
25NO02	R	10	-	-		MAT'L SPEC WAS R0067547	233874	ARA	ARA	ET	



- NOTES
- UNLESS OTHERWISE SPECIFIED AND/OR INDICATED: DIMENSIONS ARE TO FACE OF VIEW SHOWN AND AUTOMATICALLY ROUNDED BY COMPUTER FOR INSPECTION (SEE MATH MODEL FOR PRECISE DIMENSIONS). FOR ALL OTHER DIMENSIONS NOT SHOWN BUT REQUIRED FOR TOOL BUILD, SEE MATH MODEL FOR PRECISE TOOL PATH DATA.
  - MATERIAL RECYCLING CODE >PA66< PER SAE J1344. (2.3)X(0.1) RAISED CHARACTERS AS SHOWN TO BE LOCATED ON ANY EXTERIOR SURFACE. OPTIONAL CONSTRUCTION TO BE NO MATERIAL RECYCLING CODE.
  - THIS PART IS NOT CONTROLLED FOR AUTOMATIC FEEDING.
  - MATING COMPONENTS OR EQUIVALENT: CONVENIENCE CTR 12077574
  - (2.3)X(0.1) RAISED DELPHI CORPORATE BRAND TO BE LOCATED ON ANY EXTERIOR SURFACE, PREFERABLY VISIBLE AT FINAL ASSEMBLY. OPTIONAL CONSTRUCTION TO BE "PED" OR NO LOGO.

THE FOLLOWING APPLY UNLESS OTHERWISE SPECIFIED:

PERFECT FORM REQUIRED FOR FEATURES OF SIZE AT MMC.  
TRUE POSITION TOLERANCES, AND RELATED DATUMS, APPLY AT CONDITION OF SIZE INDICATED IN FEATURE CONTROL FRAME, OTHER BENEATH TOLERANCES, AND RELATED DATUMS, APPLY SEPARATELY. TRUE POSITION CALLOUTS MAY BE OMMITTED SEPARATELY, REGARDLESS OF DATUM REFERENCE. SEE GM STANDARDS, AND APPLICABLE DIVISIONAL STANDARDS, FOR INTERPRETATION.

GEOMETRIC DRAWING SYMBOLS			
FLAT	PROFILE OF A LINE	PARALLEL	TRUE POSITION
STRAIGHT	PERPENDICULAR	PERPENDICULAR	CIRCULAR RUNOUT
ROUND	PROFILE OF A SURFACE	CIRCULAR RUNOUT	TOTAL RUNOUT
CYLINDRICAL	ANGULAR	TOTAL RUNOUT	DIAMETER
MAXIMUM MATERIAL CONDITION (MMC)	LEAST MATERIAL CONDITION (LMC)	REGARDLESS OF FEATURE SIZE (RFS)	PROJECTED TOL. ZONE
PROJECTED TOL. ZONE			

SHARP CORNER TOLERANCE		(27) PROCESS SENSITIVE DIMENSION
THIRD ANGLE PROJECTION	DO NOT SCALE	USE MATH DATA

DWO TYPE: PART DRAWING	
STYLE: 27.123	DISTR CODE: D
VOLUME (COP): 6900	
UNLESS OTHERWISE SPECIFIED	
THIS DOCUMENT IS IN ACCORDANCE WITH ASME Y14.5M-1994 AS AMENDED BY THE 2003 DIMENSIONING AND TOLERANCING ADDENDUM - 1997. ALL GEOMETRIC TOLERANCES AND RELATED DATUMS APPLY TO THE PERFECT FORM AT MMC. THIS DOCUMENT DOES NOT APPLY TO RELATIONSHIP BETWEEN FEATURES. SEPARATE POSITION CALLOUTS MAY BE BASED SEPARATELY. ALL DIMENSIONS ARE IN MILLIMETERS.	
REFERENCE:	

**DELPHI**  
DELPHI PACKARD ELECTRIC SYSTEMS  
WARREN, OH

DR	DATE
APVD1 JACOB TREJO	08DE99
APVD2 J. VILLAMIL	08DE99
APVD3	
APVD4	
APVD5	

MATERIAL: M3592001 PA66 HS 1M BLK

DRAWING NAME: COVER CONVENIENCE CTR

DRAWING NUMBER: 12160897

SIZE: A0 SCALE: 2:1 FRAME NO: 1 OF 1 SHEET NO: 1 OF 1 REV: 10