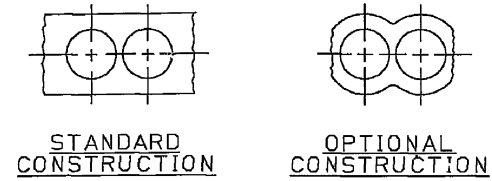
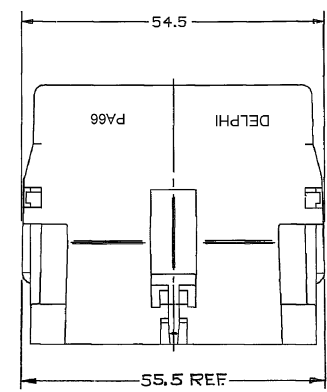
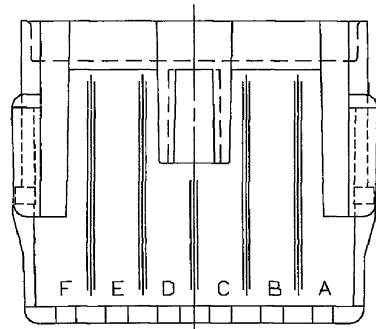
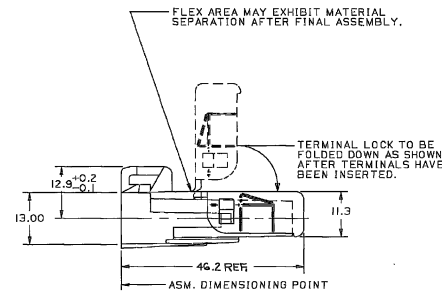
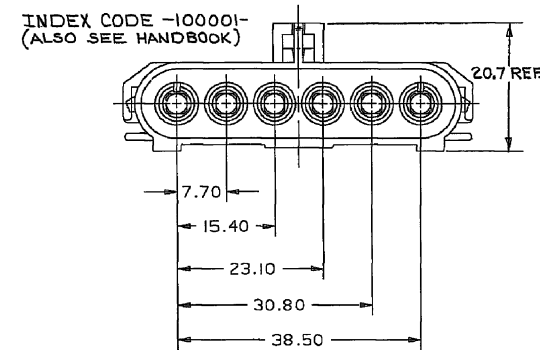


DWG STATUS				REVISION HISTORY				AUTH		DR		APPROV'D	
DATE	BY	REV	CHG	ZONE	DATE	BY	REV	ZONE	DATE	BY	REV	ZONE	
10JL02	R	CA	-	-					227801	ARA	RHM	ET	
11JN03	R	DA	-	-					242973	H-I	JGR	ET	



CABLE END VIEW OF CONN BODY



- NOTES
- (2.3) X (0.1) RAISED DELPHI CORPORATE BRAND TO BE LOCATED ON ANY EXTERIOR SURFACE, PREFERABLY VISIBLE AT FINAL ASSEMBLY. OPTIONAL CONSTRUCTION TO BE "PED" OR NO LOGO.
 - MATERIAL RECYCLING CODE >PA66< PER SAE J1344 (2.3) X (0.1) RAISED CHARACTERS AS SHOWN TO BE LOCATED ON ANY EXTERIOR SURFACE. OPTIONAL CONSTRUCTION TO BE NO MATERIAL RECYCLING CODE.
 - USE TERMINAL 12089040 OR EQUIVALENT
 - MATING CONNECTOR IS 12020787 / 12020926
 - USE 12020833 LOCK OR EQUIVALENT
 - SEALING CODE 3
 - USE 12015323 CABLE SEAL OR EQUIVALENT
 - CAUTION DO NOT ATTEMPT TO COPY THIS DRAWING WHEN DESIGNING A MATING PART TO A WEATHER PACK CONNECTOR PLEASE REQUEST THE LATEST COPY TO DRAWING NUMBER 12020984 FROM THE PACKARD ELECTRIC DIVISION

DWG TYPE: PART DRAWING

STYLE: _____

VOLUME (CM): _____

ROLLING: 6900.6901

DISTR CODE: **D**

UNLESS OTHERWISE SPECIFIED: THIS DRAWING IS A REVISION OF AN EXISTING DRAWING. IT IS THE RESPONSIBILITY OF THE USER TO VERIFY THE DIMENSIONS AND MATERIALS LISTED HEREIN. THE USER SHALL BE RESPONSIBLE FOR OBTAINING THE LATEST COPY OF THIS DRAWING AND FOR VERIFYING THE DIMENSIONS AND MATERIALS LISTED HEREIN.

REFERENCE: _____

THIRD ANGLE PROJECTION

DELPHI
DELPHI PACKARD ELECTRIC SYSTEMS
WARREN, OH

DATE: _____

DR: _____

APPROV'D: L. RUBINIC 06NOB1
T. MUDREY 13NOB1
K. GRZENA 16NOB1

MATERIAL: M3592001 PA66 HS IM BLK

DRAWING NAME: CONN 6M W/P SHD BLK SEALED

DRAWING NUMBER: **12020786**

SIZE: AD SCALE: NONE FRAME NO: 1 OF 1 SHEET NO: 1 OF 1 REV: R D4