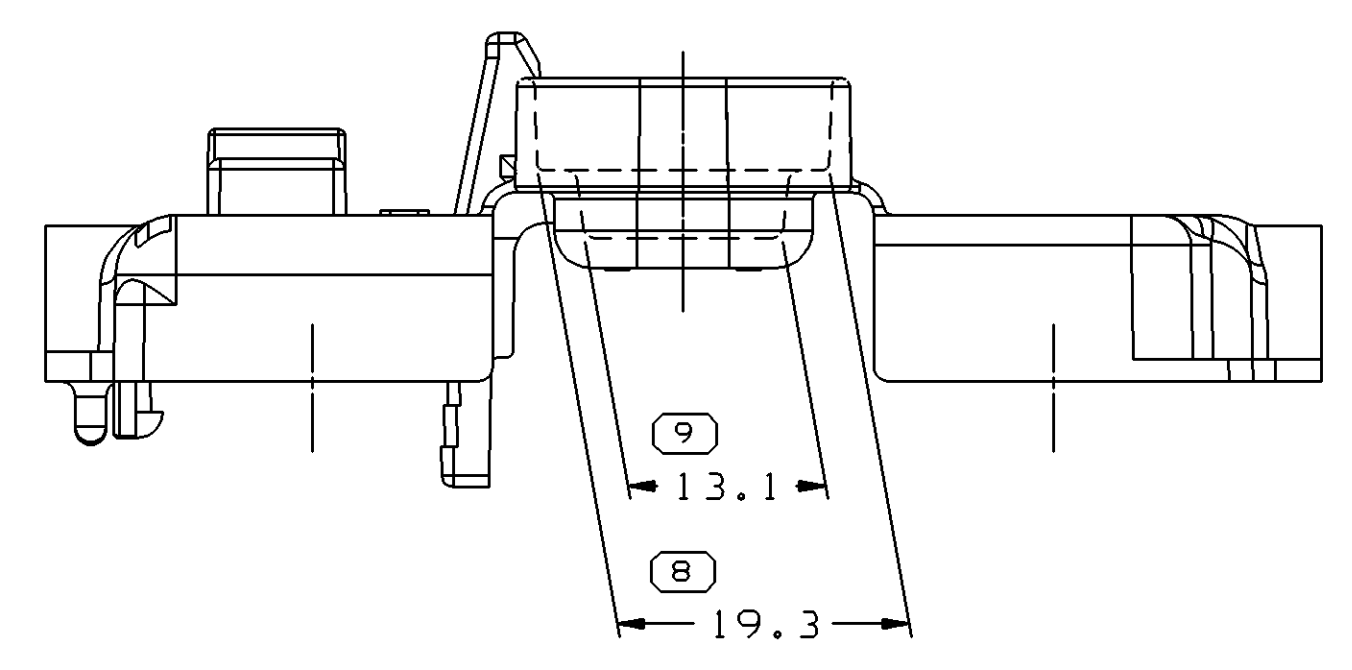
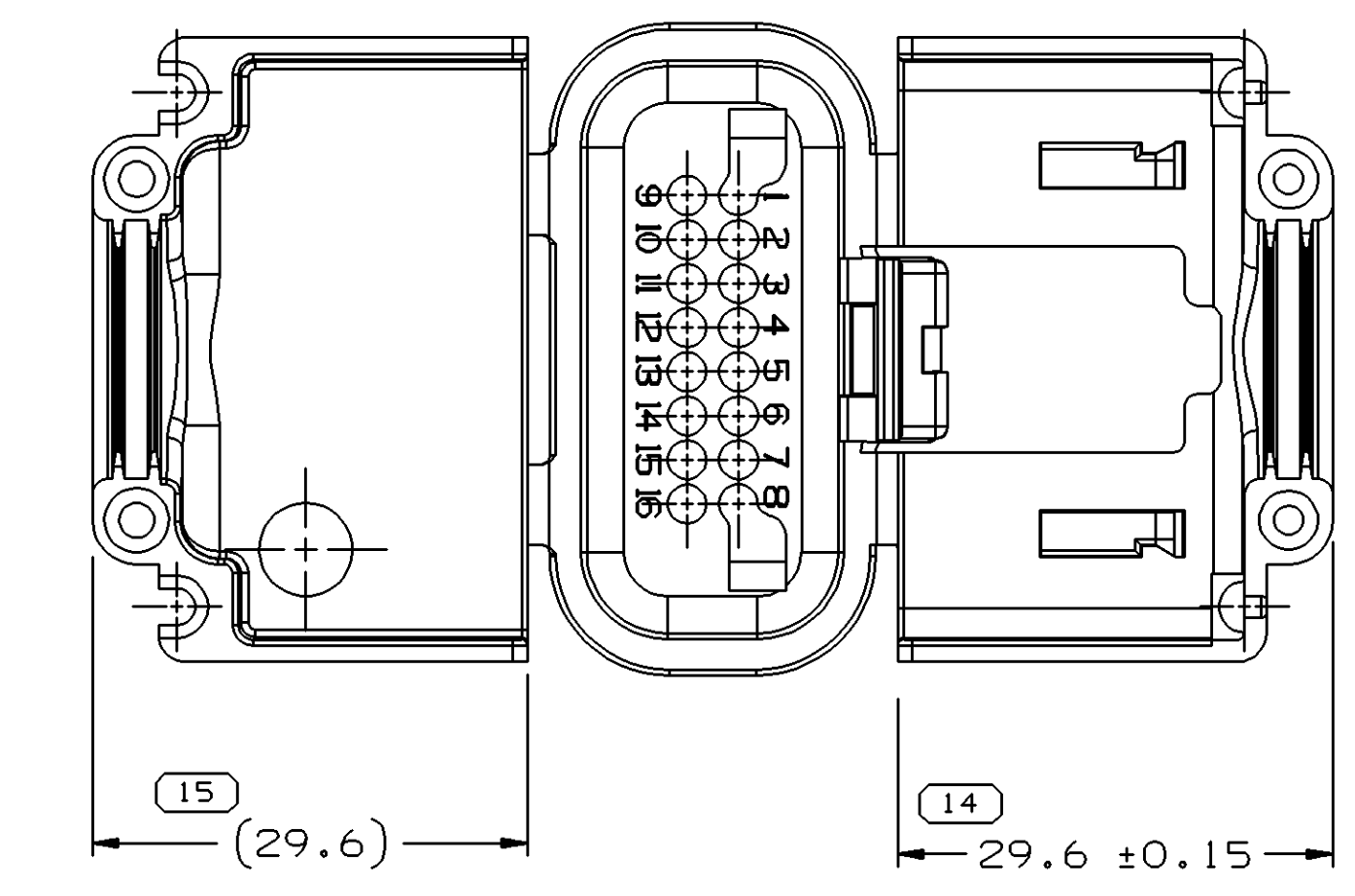
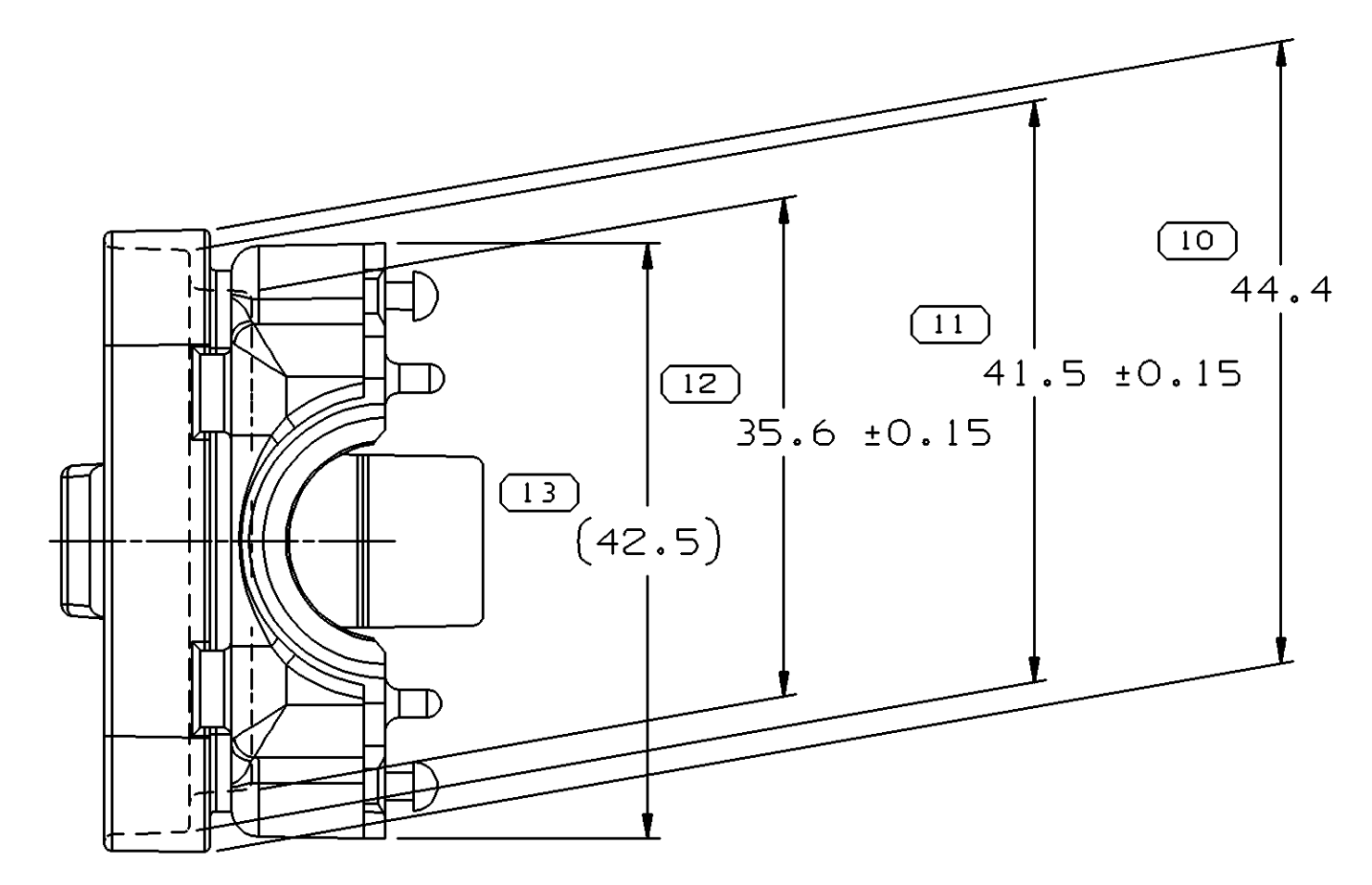
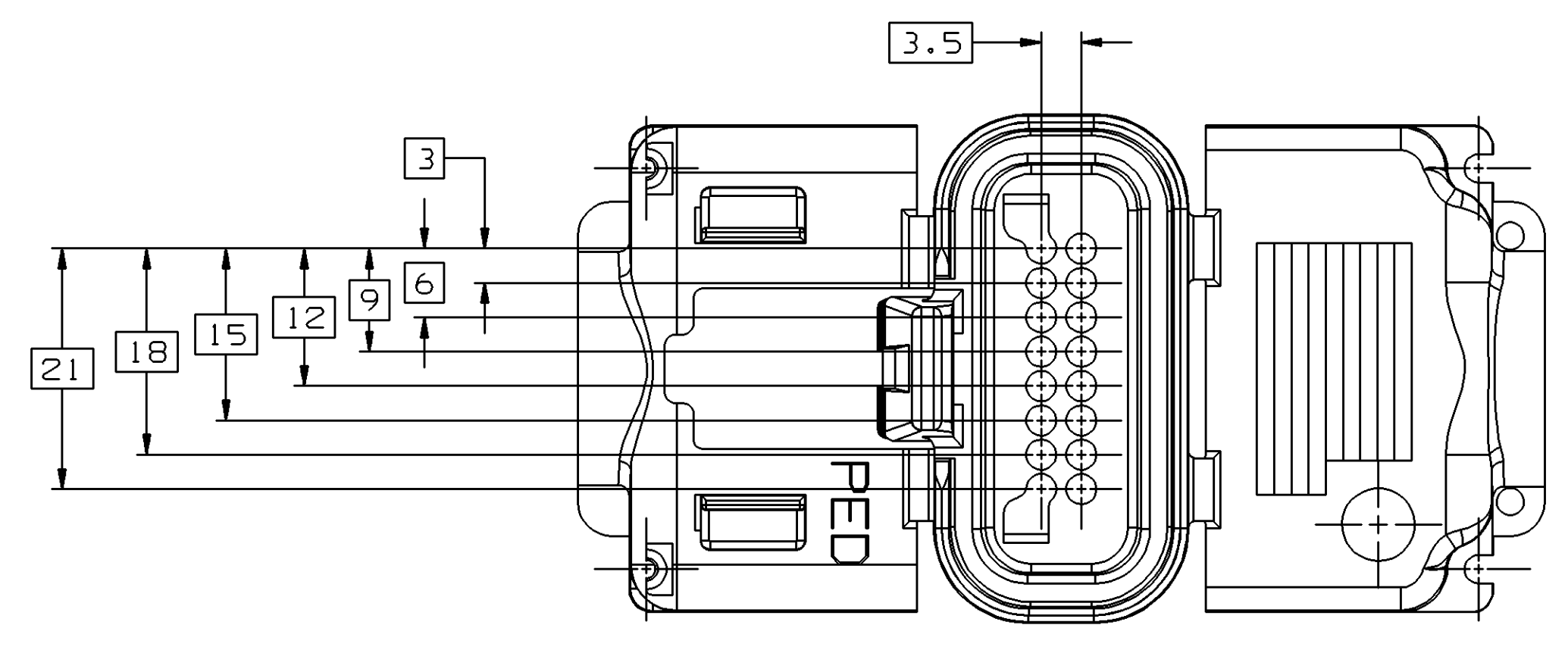
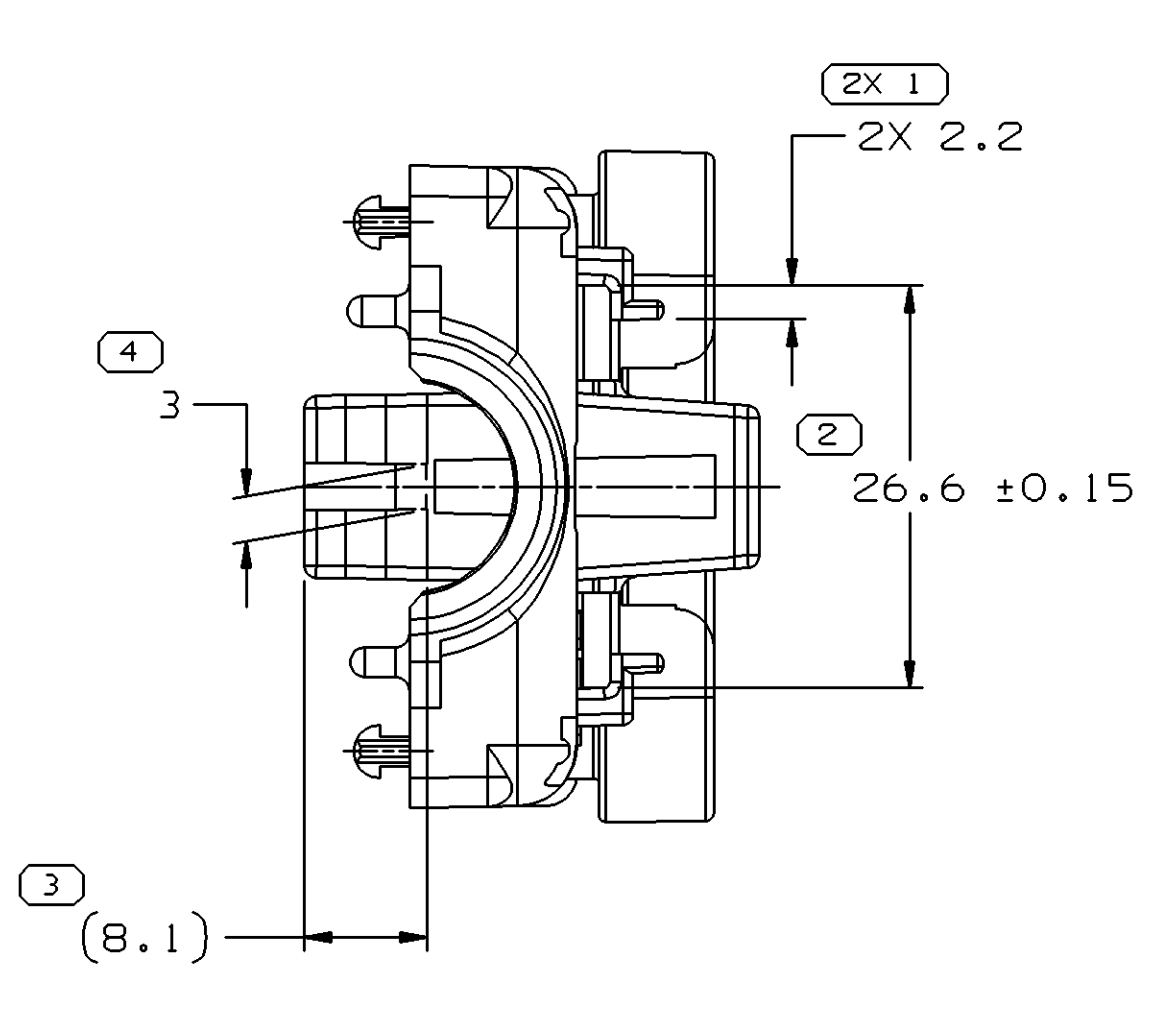
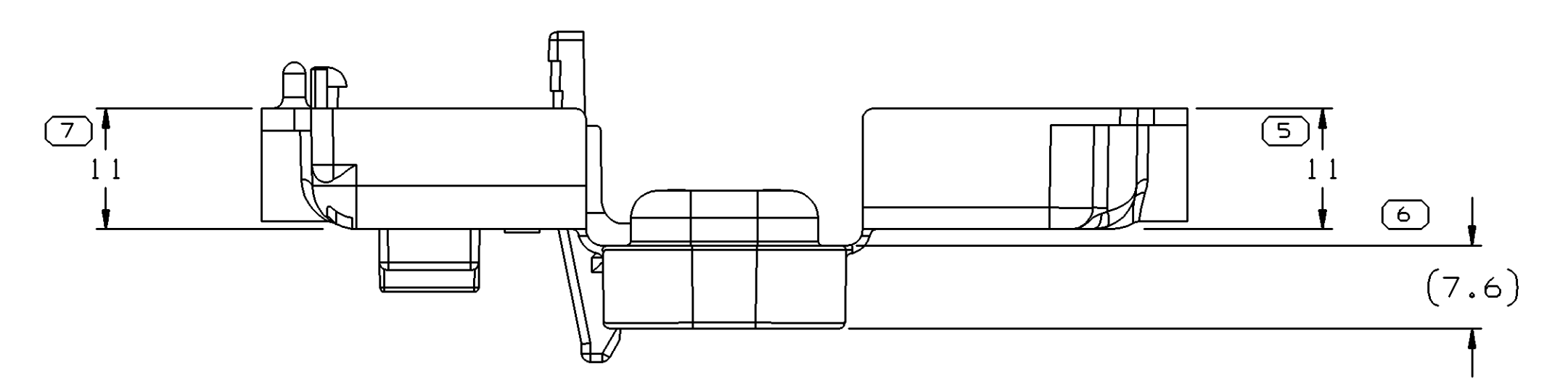
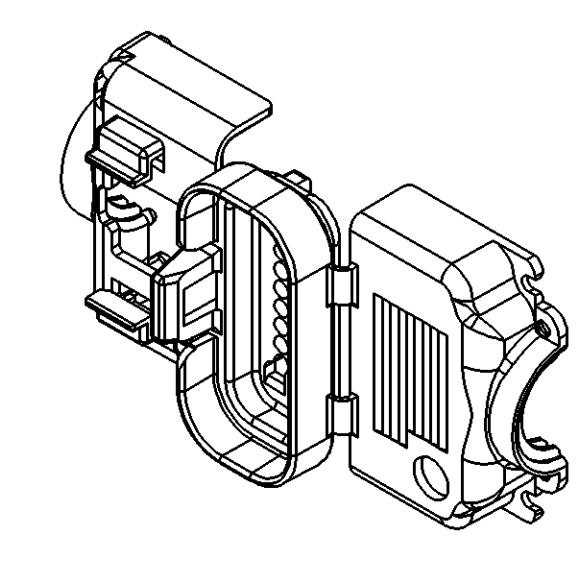


SYMBOL DEFINITION		MISSING SYMBOLS	
A DIMENSION WITHOUT AN INSPECTION REPORT SYMBOL DOES NOT REQUIRE INSPECTION. IT MAY BE CONTROLLED ON THE INDIVIDUAL COMPONENT DRAWING.	TOTAL NO OF INSPECTIONS REQUIRED	16	NO MISSING SYMBOL NUMBER
	LAST NO. USED	15	

DWO STATUS						REVISION HISTORY			AUTH	DR	APVD	APVD
DATE	STG	REV	W/P	CHO	ZONE							
31MR04	R	01	-	-	-	WAS PE116758 AND RELEASED			253582	JTZ	JVM	SD
22JN04	R	02	-	-	-	REVISED WALLS FOR LOCK CLEARANCE			256207	AKJ	AKJ	JCU
23SE04	R	02	AA	-	-	UPDATED POM ATTRIBUTES			259454	TLD	TLD	JU
27SE04	R	02	AB	-	-	REVISED: MADE PRINT MATCH PART			259570	AKJ	AKJ	JCU



- NOTES
- UNLESS OTHERWISE SPECIFIED AND/OR INDICATED: DIMENSIONS ARE TO FACE OF VIEW SHOWN AND AUTOMATICALLY ROUNDED BY COMPUTER FOR INSPECTION (SEE MATH MODEL FOR PRECISE DIMENSIONS). FOR ALL OTHER DIMENSIONS NOT SHOWN BUT REQUIRED FOR TOOL BUILD, SEE MATH MODEL FOR PRECISE TOOL PATH DATA.
  - REFERENCE MATING COMPONENTS OR EQUIVALENT: CONNECTOR & CABLE SEAL 12191066 FEMALE CONNECTOR 12191065 TERMINAL 12084912 MAX INSULATION CRIMP MUST BE LESS THAN 2.55 DIA CONNECTOR POSITION ASSURANCE LOCK 12177289 ACCEPTS 13MM DELPHI CONDUIT OR EQUIVALENT
  - MATERIAL RECYCLING CODE PER ISO 11469. (2,3)X(0,3) CHARACTERS AS SHOWN TO BE LOCATED ON ANY EXTERIOR SURFACE.
  - (2,3)X(0,3) DELPHI CORPORATE BRAND TO BE LOCATED ON ANY EXTERIOR SURFACE, PREFERABLY VISIBLE AT FINAL ASSEMBLY. OPTIONAL CONSTRUCTION TO BE "PED".



DIMENSIONAL RANGE (MM)		CHART ET	
FROM	TO	FROM	TO
> 0	> 20	> 70	> 100
> 20	> 30	> 100	> 150
> 30	> 70	> 150	> 200
> 70	> 100	> 200	> 250
> 100	> 150	> 250	> 300
> 150	> 200	> 300	> 400

DIMENSIONS ENCLOSED IN ( ) INDICATE REFERENCE DIMENSIONS AND NO TOLERANCE LIMITS ARE ESTABLISHED.  
 TOLERANCE UNLESS OTHERWISE SPECIFIED:  
 ±0.15 | ±0.2 | ±0.3 | ±0.4 | ±0.5 | ±0.6 | ±0.8 | ±1 | ±1.2  
 ANGULAR TOLERANCE: ±2°

DWO TYPE		PART DRAWING	
STYLE		DISTR CODE	D
VOLUME (COP)	9, 327		
UNLESS OTHERWISE SPECIFIED			
THIS DOCUMENT IS IN ACCORDANCE WITH ASME Y14.5M-1994 AS AMENDED BY THE 2003 DIMENSIONING AND TOLERANCING ADDENDUM (2003). SEPARATE PATTERNING OF FEATURES MAY BE GIVEN SEPARATELY REGARDLESS OF DATUM REFERENCES.			
ALL DIMENSIONS ARE IN MILLIMETERS			
REFERENCE			

**DELPHI**  
 DELPHI PACKARD ELECTRIC SYSTEMS  
 WARREN, OH

DR	DATE
APVD1 PABLO TRONCOSO	31MR04
APVD2 J. VILLAMIL	02AP04
APVD3 S. DOMHOFF	05AP04
APVD4	
APVD5	

MATERIAL: M2358018 TCP-EE 82D GRA  
 SUBSTANCES OF CONCERN AND RECYCLED CONTENT PER DELPHI 10949001

DRAWING NAME: LOCK STRAIN RLF MIC/P 100W GRA  
 DRAWING NUMBER: 15460298

SIZE: AO SCALE: 2:1 FRAME NO: 1 OF 1 SHEET NO: 1 OF 1 REV: R 02 AB