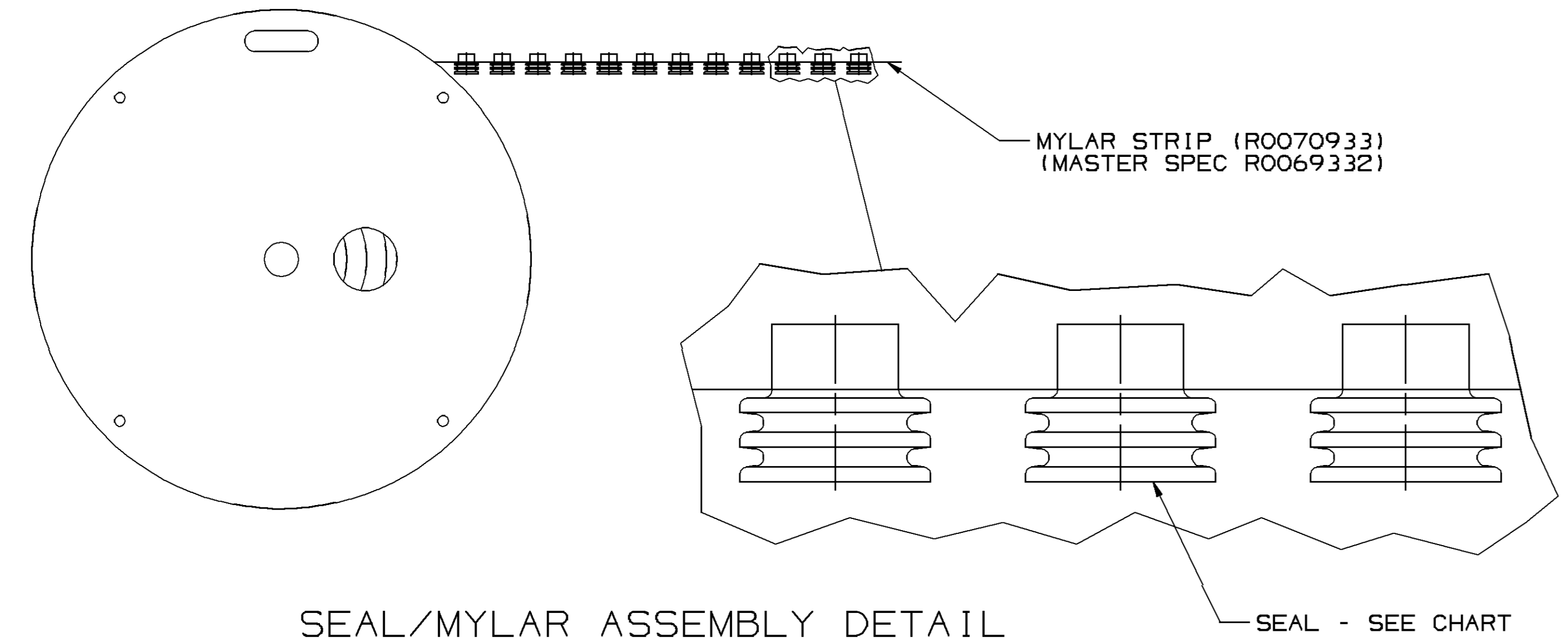


| SYMBOL DEFINITION | | TOTAL NO OF INSPECTIONS REQUIRED | NO MISSING SYMBOL NUMBER |
|--|--|----------------------------------|--------------------------|
| A DIMENSION WITHOUT AN INSPECTION REPORT SYMBOL DOES NOT REQUIRE INSPECTION. IT MAY BE CONTROLLED ON THE INDIVIDUAL COMPONENT DRAWING. | | 5 | |
| LAST NO. USED | | 5 | |

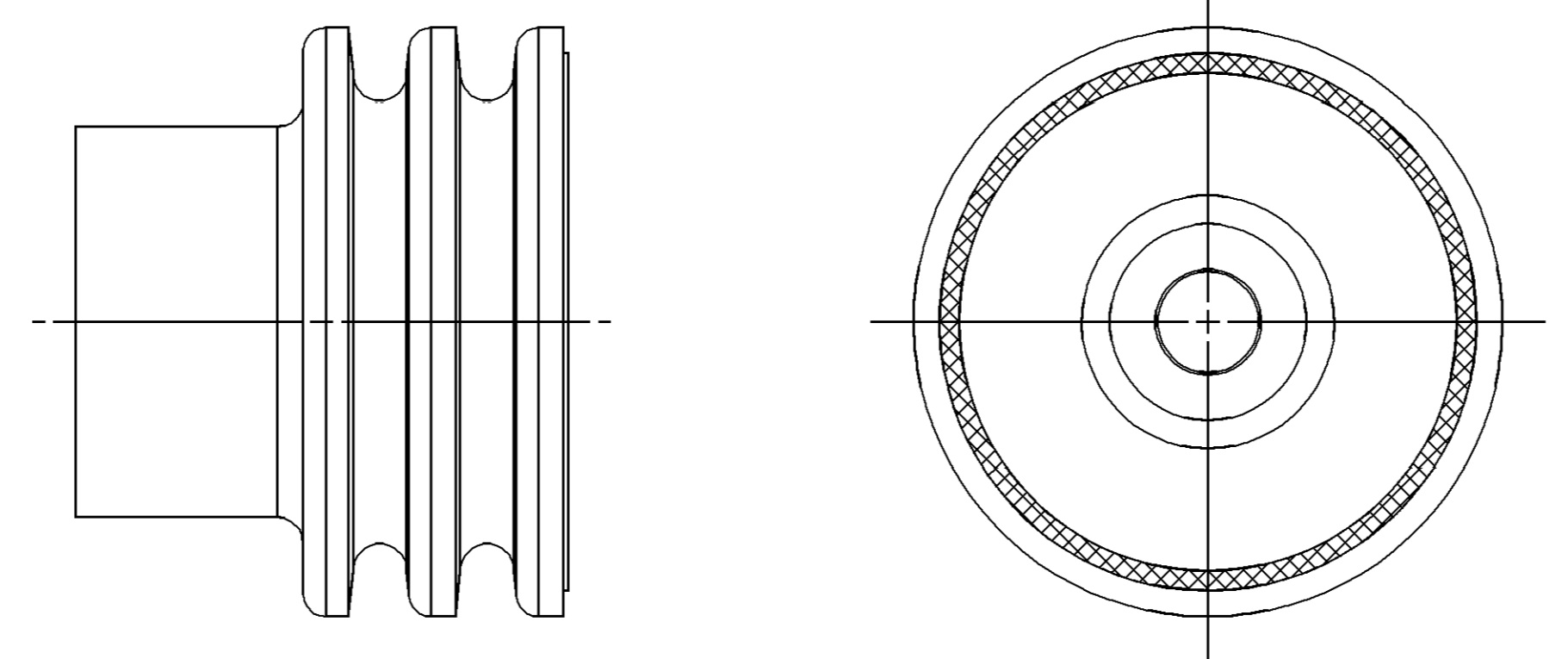
| DWG STATUS | | | | REVISION HISTORY | | | | AUTH | | |
|------------|-----|-----|-----|------------------|------|--|--------|------|-------|-----|
| DATE | STG | REV | N/P | CHG | ZONE | DESCRIPTION | DATE | DR | APV'D | CHK |
| 30NOV99 | R | 001 | - | - | - | ALL PARTS - REDRAWN TO PD: 15324987-92 RELEASED | 990005 | JLZ | EAR | RH |
| 07NOO0 | R | 002 | - | - | - | 15324987-92 - REVISED | 202978 | JLZ | EAR | JR |
| 15MR04 | R | 03 | - | - | - | 12052930, 12048441, 12048442 & 12048443 PER NIN EWO BGLTS: ALL PARTS - UPDATED MATERIAL SPECS | 251701 | RH | RH | MR |
| 17NOO4 | - | 04 | - | - | - | 12048441 THRU 12048443 & 12052930 - REVISED DRAWING CHART | 261371 | JS | JS | MR |
| 01FEO5 | R | 05 | - | - | - | REVISED TOLERANCE | 263812 | MM | MM | MR |
| 09MR06 | R | 06 | - | - | - | 15324987-92 - UPDATED PDM ATTRIBUTES | 276506 | JBD | AUG | JES |
| 26MY06 | R | 07 | - | - | - | REMOVED TYPES 204, 205 & 206 AND OPTIONAL CONSTRUCTION VIEWS: ALL ACTIVE PARTS - 7.5 +0.25/-0.15 WAS 7.5 ±0.15, 9.05 +0.2/-0.15 WAS 9.05 ±0.15; 12048433, 12052452-53, 12052931, 12065703, 12162068, 12048441-43, 12052930, 12034170 & 12162067 - RESTRICTED; 15324987-90 & 15324991-92 - WERE TYPE 204 & 206, UPDATED MAT'L SPEC AND ADDED ALTERNATE MAT'L SPEC | 281070 | JPH | JVM | MFR |
| 17AU06 | R | 08 | - | - | - | 15324992 - OBSOLETE | 283517 | CCV | AUG | MR |
| 03OC06 | R | 09 | - | - | - | ALL ACTIVE PARTS - ADDED SEALING RIBS LABEL, OVERALL LENGTH LABEL, SEALING RIBS VIEWS & NOTE, ANTI-STICK RING OPTIONAL CONSTRUCTION VIEWS AND DIMS (2 PLCS); 12162067-68 - WERE RESTRICTED | 285210 | JBD | FRG | MFR |



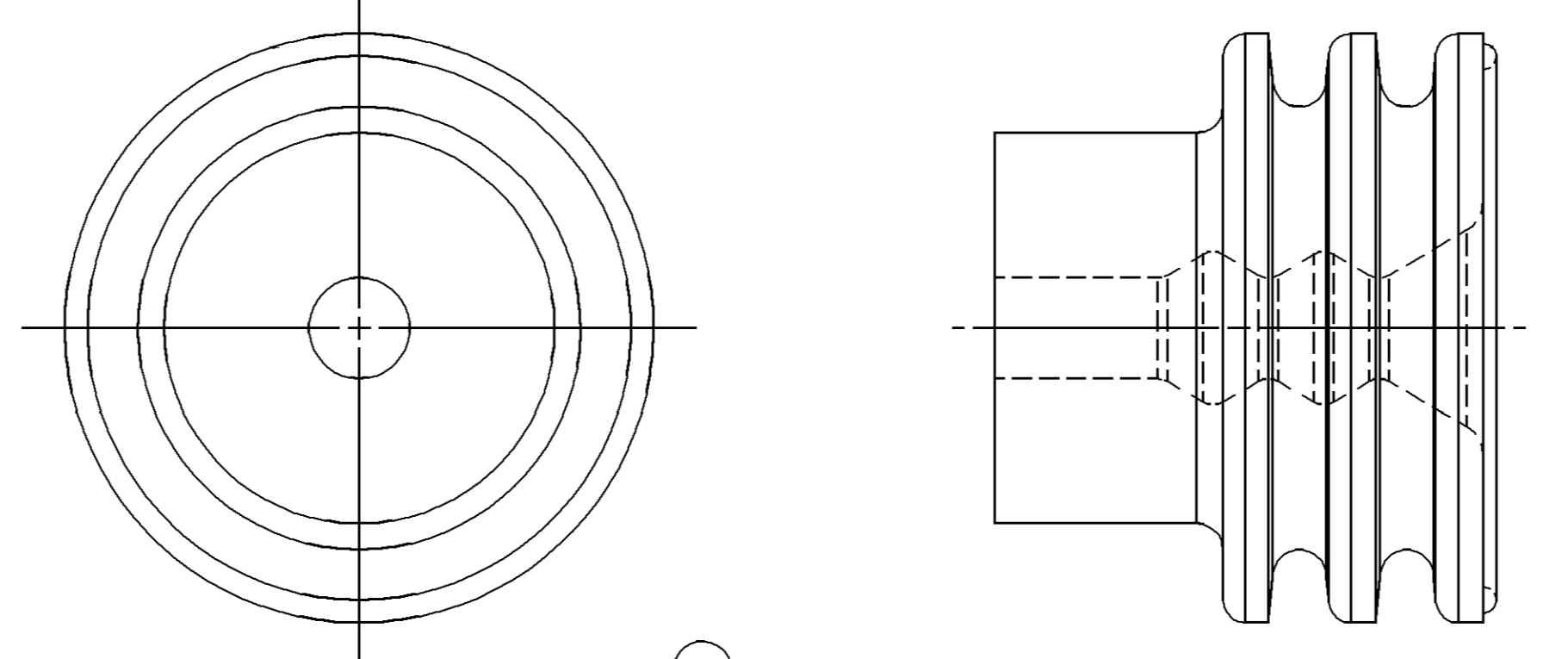
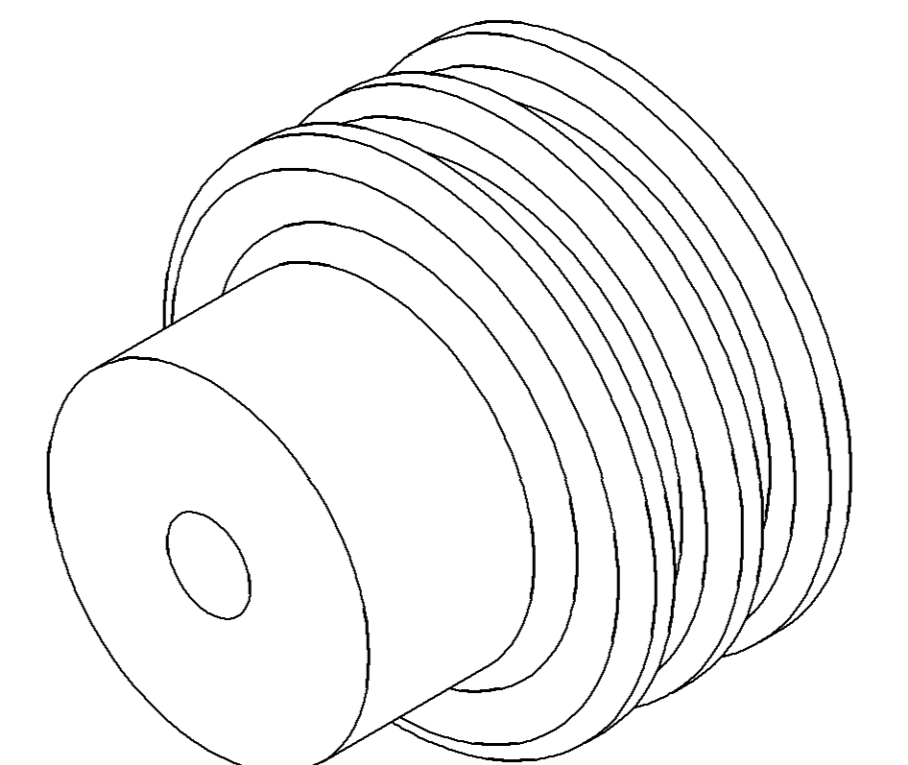
SEAL/MYLAR ASSEMBLY DETAIL

NOTES:

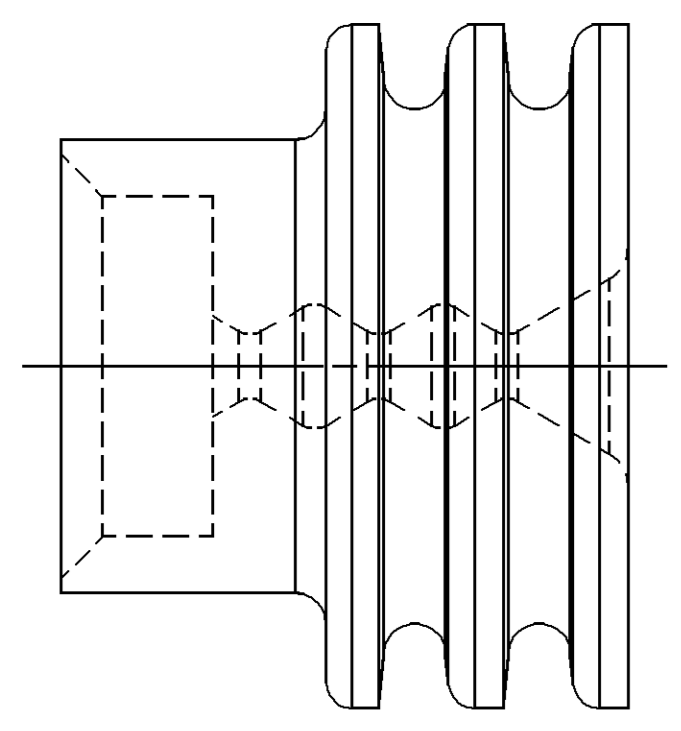
1. THE MYLAR TAPE IS ONLY A CARRIER USED AS A PROCESS AID AND IS NOT PART OF THE FINAL HARNESS ASSEMBLY.
2. WHEN PARTS ARE SHIPPED, THEY MUST BE PACKED IN PLASTIC BAGS OR SHIPPING CONTAINERS MUST BE LINED WITH PLASTIC LINERS. BAGS OR LINERS MUST BE SEALED TO AVOID ENTRY OF FOREIGN MATTER.



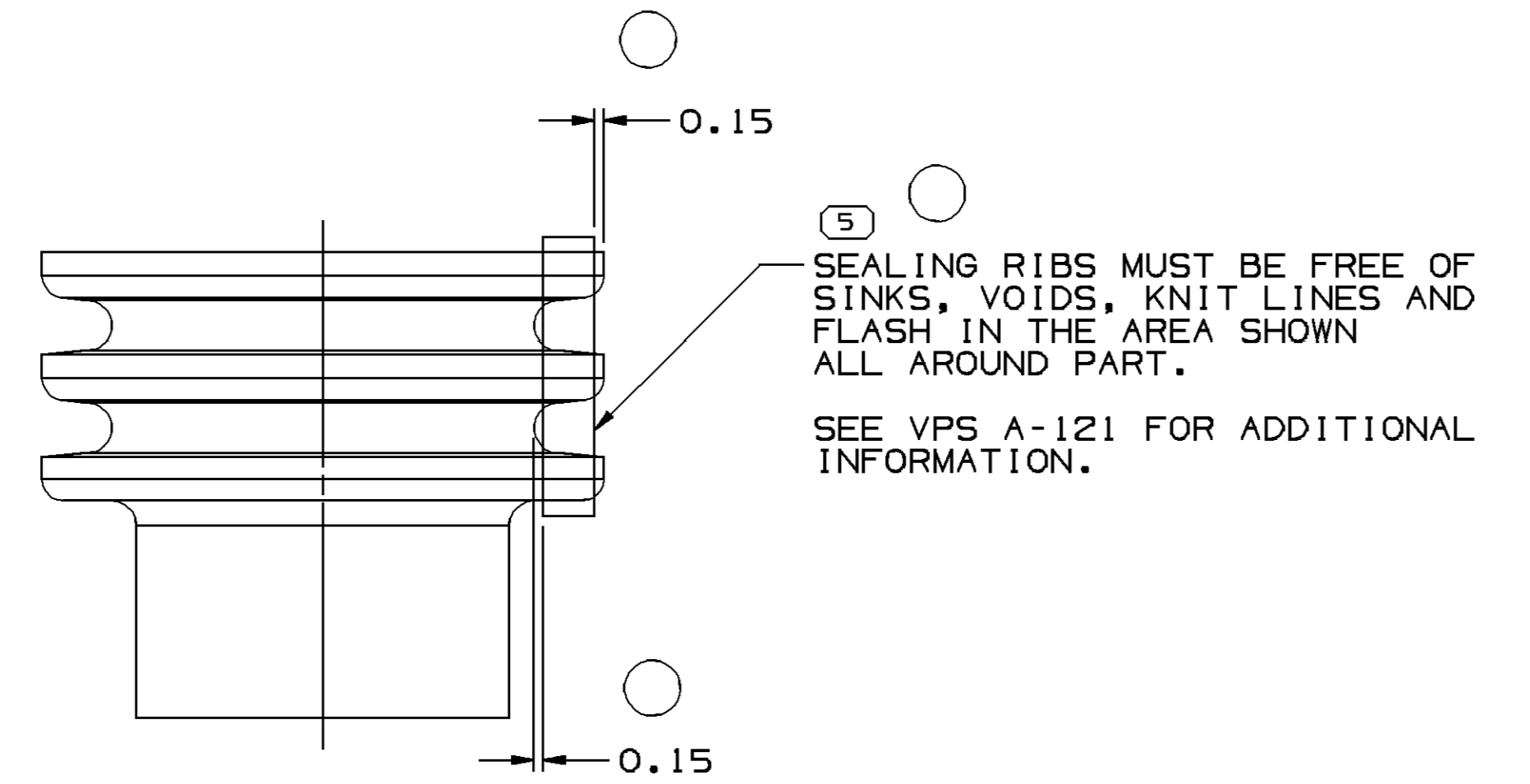
OPTIONAL CONSTRUCTION 1 (ANTI-STICK RING)



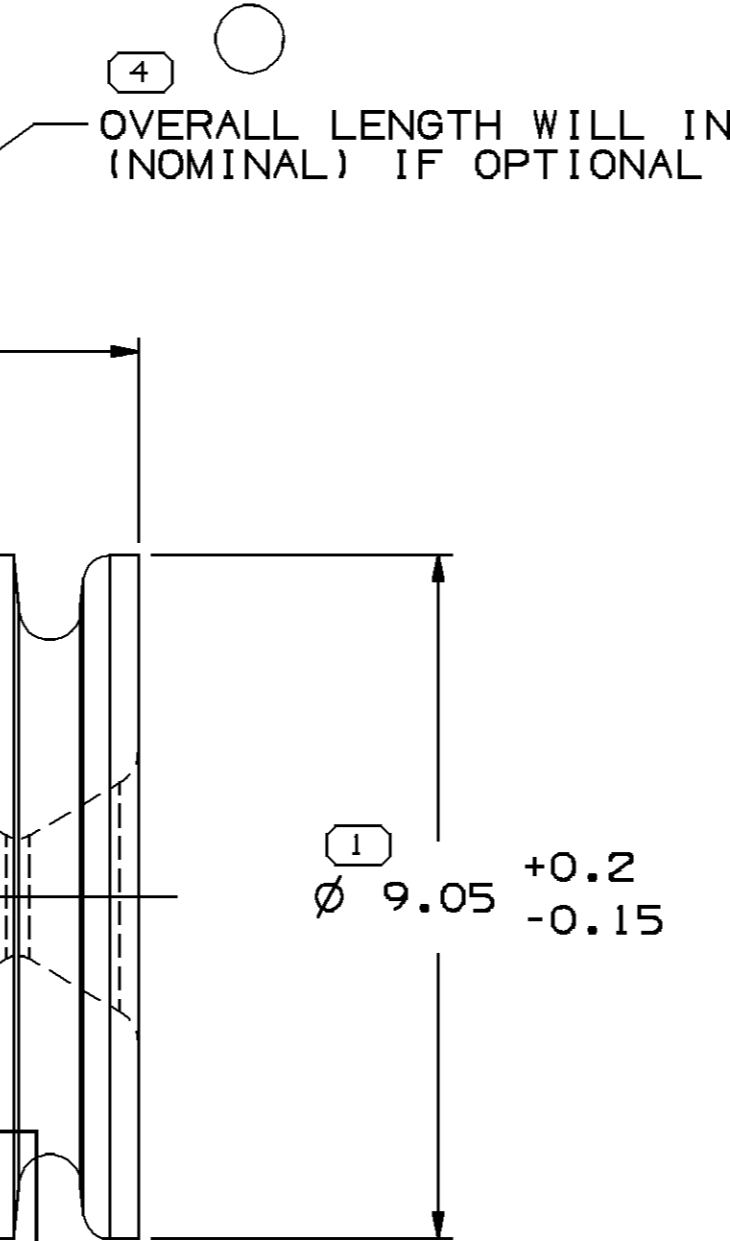
OPTIONAL CONSTRUCTION 2 THIS IS THE PREFERRED CONSTRUCTION FOR NEW TOOL BUILDS (ANTI-STICK RING)



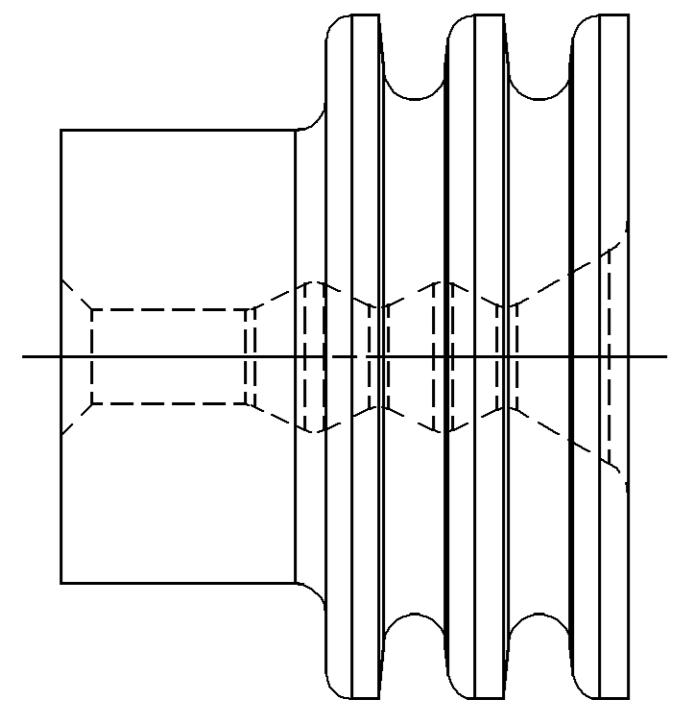
TYPE 202 SAME AS TYPE 201 EXCEPT AS SHOWN



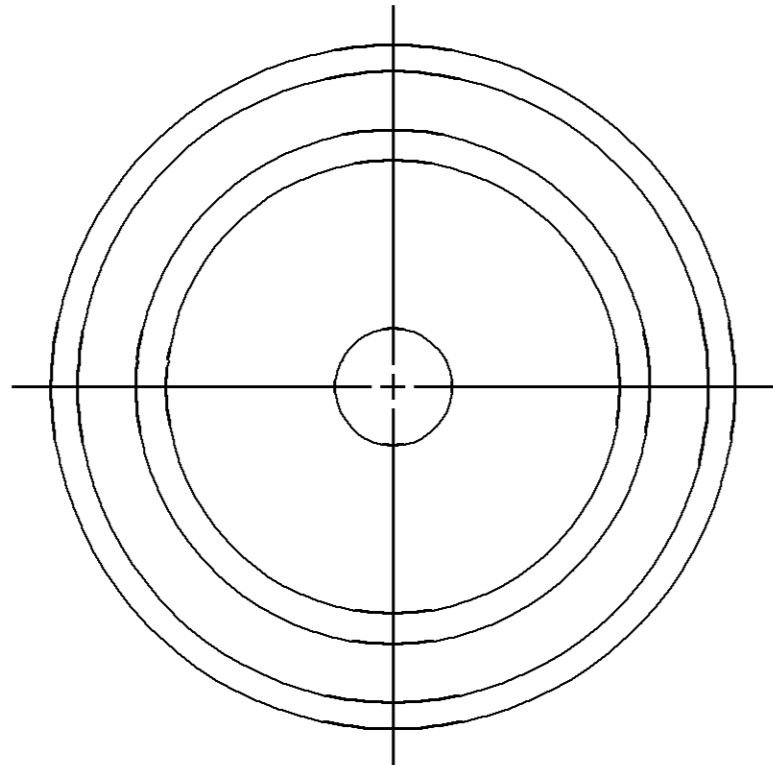
SEALING RIBS MUST BE FREE OF SINKS, VOIDS, KNIT LINES AND FLASH IN THE AREA SHOWN ALL AROUND PART. SEE VPS A-121 FOR ADDITIONAL INFORMATION.



OVERALL LENGTH WILL INCREASE BY 0.2 MM (NOMINAL) IF OPTIONAL CONSTRUCTION 2 IS USED



TYPE 203 SAME AS TYPE 201 EXCEPT AS SHOWN



TYPE 201

NOTES

1. UNLESS OTHERWISE SPECIFIED AND/OR INDICATED: DIMENSIONS ARE TO FACE OF VIEW SHOWN AND AUTOMATICALLY ROUNDED BY COMPUTER FOR INSPECTION. (SEE MATH MODEL FOR PRECISE DIMENSIONS.) FOR ALL OTHER DIMENSIONS NOT SHOWN BUT REQUIRED FOR TOOL BUILD, SEE MATH MODEL FOR PRECISE TOOL PATH DATA.
2. PARTS ARE TO BE PACKAGED IN SEALED PLASTIC BAGS. GROSS WEIGHT INCLUDING CARTON IS NOT TO EXCEED 34 POUNDS.
3. *DESIGNED AS A PUSH ON SEAL. SEAL SLIDES OVER INSULATION WINGS. A TERMINAL CANNOT BE CRIMPED OVER THIS SEAL.
4. TO IMPROVE SEAL PROCESSING ON SLIPPERY OR SMOOTH CABLE INSULATION, THE APPLICATION ENGINEER MAY SURFACE THE NEXT SMALLER SEAL SIZE P.N. IN PLACE OF THE INDICATED SEAL FOR THE "CABLE O.D." LISTED IN THE CHART.
5. 12110210/12124843 CAN BE REPLACED BY ANY SEAL ON THIS PAGE IN CONJUNCTION WITH 12124471 OR 12124598 TERMINAL DEPENDING ON CABLE OD.

SEALING RIBS MAY DIFFER AS SHOWN

| PART NO | REV | N/P | STATUS | PART NO | REV | N/P | STATUS | MATERIAL SPECIFICATION | COLOR (REF ONLY) | ALTERNATE MATERIAL SPECIFICATION | TYPE | CABLE O.D. ±0.05 | CAVITY ID | EQUIVALENT CABLE SEAL |
|----------|-----|-----|------------|-----------|-----|-----|------------|------------------------|------------------|----------------------------------|------|------------------|-----------|-----------------------|
| 15324992 | 01 | AE | OBSOLETE | 15324991 | 01 | AE | | M3469004 | RED | M3466004 | 203 | 1.7-1.29 | 6 | 8.5 |
| 15324990 | 01 | AE | | 15324989 | 01 | AE | | M3469039 | PPL | M3466039 | 201 | 4.5-3.61 | 6 | 8.5 |
| 15324988 | 01 | AE | | 15324987 | 01 | AE | | M3469004 | RED | M3466004 | 201 | 3.76-2.81 | 6 | 8.5 |
| 15324988 | 01 | AE | | 15324987 | 01 | AE | | M3469011 | WHT | M3466011 | 201 | 2.85-2.01 | 6 | 8.5 |
| 15324987 | 01 | AE | | 12162067 | A7 | - | | M3469005 | ORN | M3466005 | 201 | 5.16-4.4 | 6.5 | 8.5 |
| 12162068 | A4 | - | | 12162067 | A7 | - | | M2261013 | PNK | - | 203 | 1.7-1.29 | 6 | 8.5 |
| 12124843 | A1 | - | OBSOLETE | *12110210 | B4 | - | OBSOLETE | M2261001 | GRN | - | 202 | 2.12-1.67 | 6.5 | 8.5 |
| 12065703 | A4 | - | RESTRICTED | 12034170 | B5 | - | RESTRICTED | M2261005 | ORN | - | 201 | 5.16-4.4 | 6.5 | 8.5 |
| 12052931 | A4 | - | RESTRICTED | 12052930 | 05 | AD | RESTRICTED | M3471006 | RED | M2261006 | 203 | 2.15-1.6 | 6 | 8.5 |
| 12052453 | A4 | - | RESTRICTED | 12048443 | 03 | AC | RESTRICTED | M2261008 | BLU | - | 201 | 4.21-3.5 | 6.5 | 8.5 |
| 12052452 | A4 | - | RESTRICTED | 12048442 | 03 | AC | RESTRICTED | M3471039 | PPL | M2261009 | 201 | 4.5-3.61 | 6 | 8.5 |
| 12048433 | A4 | - | RESTRICTED | 12048442 | 03 | AC | RESTRICTED | M3471004 | RED | M2261004 | 201 | 3.76-2.81 | 6 | 8.5 |
| | | | | 12048441 | 03 | AC | RESTRICTED | M3471011 | WHT | M2261011 | 201 | 2.85-2.01 | 6 | 8.5 |

| PART DRAWING | |
|--|------------------------|
| STYLE | D |
| VOLUME (OF) | |
| DISTR CODE | |
| UNLESS OTHERWISE SPECIFIED | |
| DIMENSIONS ARE IN MILLIMETERS | |
| DIMENSIONS ENCLOSED IN () INDICATE REFERENCE DIMENSIONS AND NO TOLERANCE LIMITS ARE ESTABLISHED | |
| DIMENSIONAL FRAMES (MM) CHART E | |
| FROM | 0 > 20 > 30 > 70 > 100 |
| TO | 20 30 70 100 >100 |
| TOLERANCE UNLESS OTHERWISE SPECIFIED | |
| ±0.15 | ±0.2 ±0.3 ±0.4 ±0.5 |
| ANGULAR TOLERANCE 2° | |
| THIRD ANGLE PROJECTION | DO NOT SCALE |
| USE MATH DATA | UNIMAPHIS |

DELPHI
DELPHI PACKARD ELECTRIC SYSTEMS
WVREN, OH

| | |
|---------------------|--------|
| DR | DATE |
| APV'D1 J. HOUGELMAN | 13JAB9 |
| APV'D2 T. MUDREY | 26JAB9 |
| APV'D3 A. HERMANN | 31JAB9 |
| APV'D4 | |
| APV'D5 | |

SUBSTANCES OF CONCERN AND RECYCLED CONTENT PER DELPHI 10949001

MATERIALS SEE CHART

DRAWING NAME
TAXI SEAL CBL IW M/P

DRAWING NUMBER
12010295

| | | | | | |
|------|-------|----------|----------|-----|-----|
| SIZE | SCALE | FRAME NO | SHEET NO | REV | N/P |
| A0 | 10:1 | 1 | 2 | 09 | - |