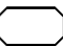
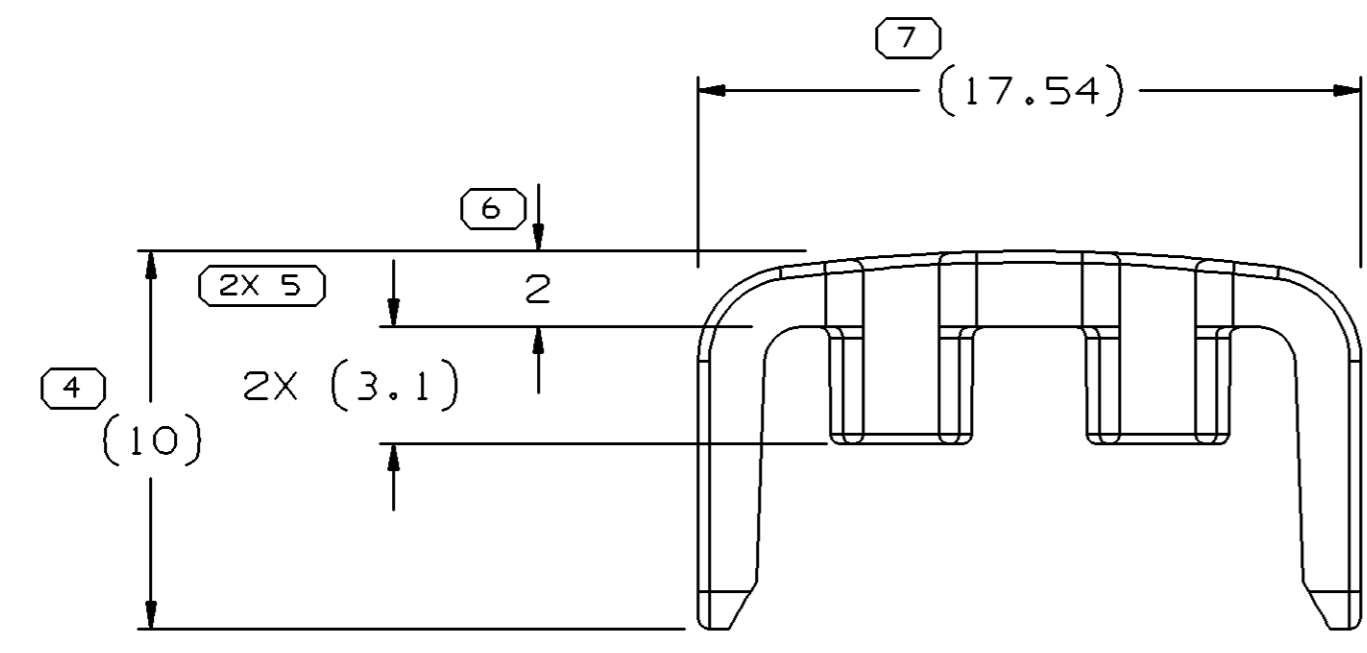
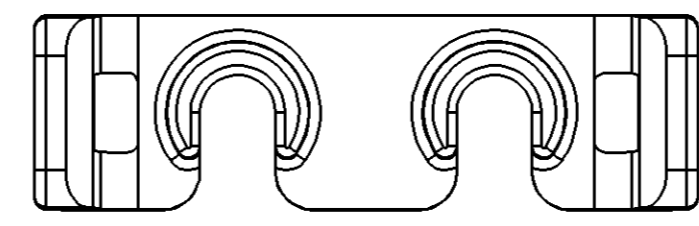
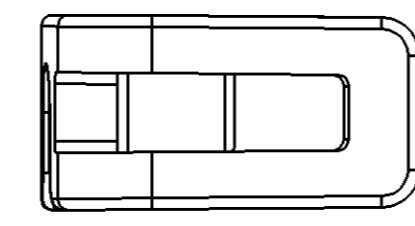
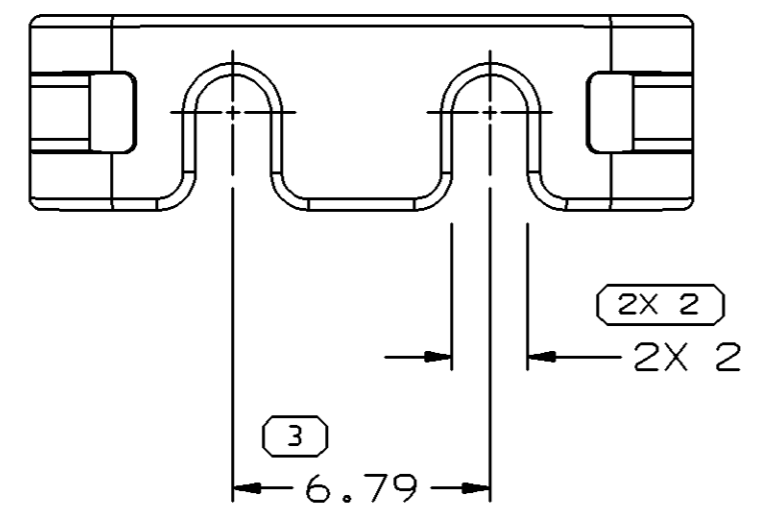
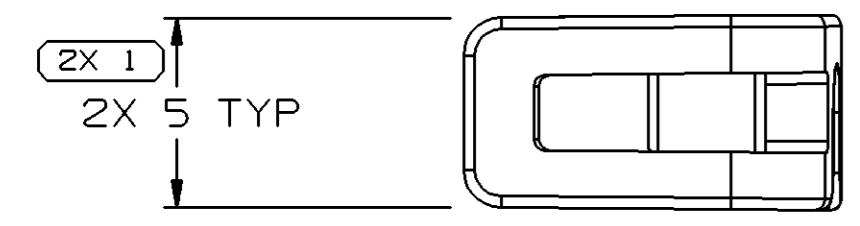
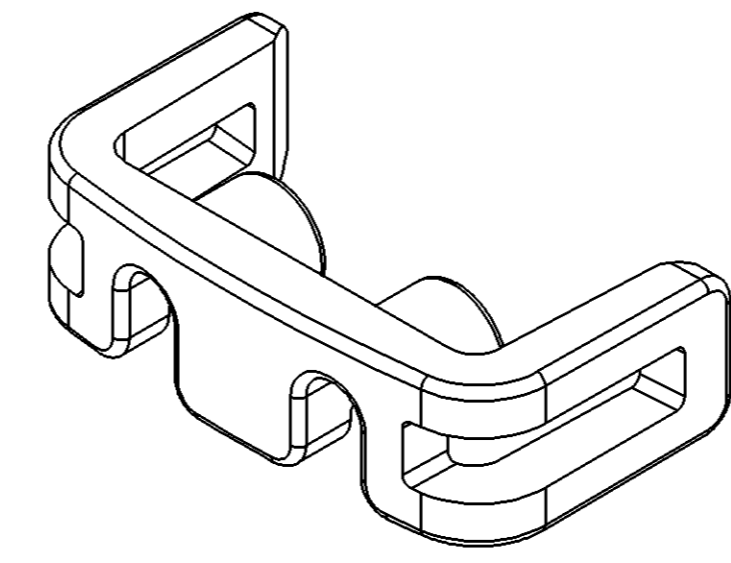
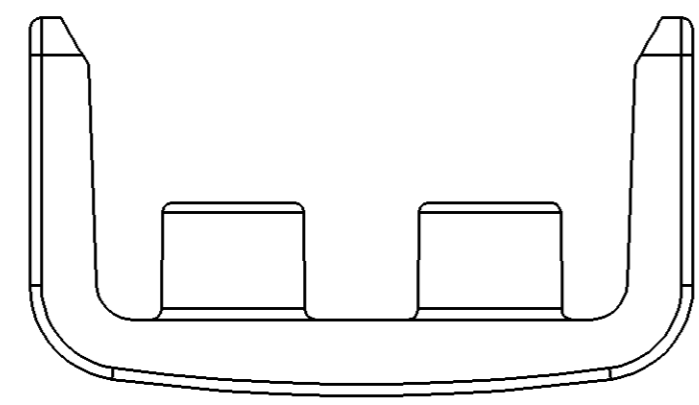
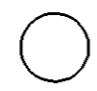



SYMBOL DEFINITION		
A DIMENSION WITHOUT AN INSPECTION REPORT SYMBOL  DOES NOT REQUIRE INSPECTION. IT MAY BE CONTROLLED ON THE INDIVIDUAL COMPONENT DRAWING.	TOTAL NO OF INSPECTIONS REQUIRED	10
	LAST NO. USED	7

MISSING SYMBOLS					DWG STATUS					REVISION HISTORY			AUTH		DR		APVD	
DATE	STG	REV	N/P	CHG	ZONE	DATE	STG	REV	N/P	CHG	ZONE	AUTH	DR	APVD	APVD			
20MY04	R	01	-	-		20MY04	R	01	AA	-		254129	RJD	RJD	MEF			
04N004	R	01	AA	-		04N004	R	01	AA	-		260860	EES	EES	MEF			

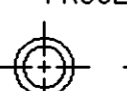
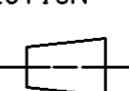


NOTES

- UNLESS OTHERWISE SPECIFIED AND/OR INDICATED: DIMENSIONS ARE TO FACE OF VIEW SHOWN AND AUTOMATICALLY ROUNDED BY COMPUTER FOR INSPECTION (SEE MATH MODEL FOR PRECISE DIMENSIONS). FOR ALL OTHER DIMENSIONS NOT SHOWN BUT REQUIRED FOR TOOL BUILD, SEE MATH MODEL FOR PRECISE TOOL PATH DATA. DRAFT IS 0° 30'.
- PARTS SHOWN ON THIS DRAWING USED IN ASSEMBLIES SHOWN ON TAXI 15489800.
- MATERIAL RECYCLING CODE PER ISO 11469. (0.75)X(0.07) RAISED CHARACTERS AS SHOWN TO BE LOCATED ON ANY EXTERIOR SURFACE. OPTIONAL CONSTRUCTION TO BE NO MATERIAL RECYCLING CODE.
-  MATING COMPONENTS OR EQUIVALENT: CONNECTOR SHOWN ON TAXI DRAWING 15489795 TERMINAL 15496531
- (0.75)X(0.07) RAISED DELPHI CORPORATE BRAND TO BE LOCATED ON ANY EXTERIOR SURFACE, PREFERABLY VISIBLE AT FINAL ASSEMBLY. OPTIONAL CONSTRUCTION TO BE "PED" OR NO LOGO.

 PROCESS SENSITIVE DIMENSION
DIMENSIONS ENCLOSED IN () INDICATE REFERENCE DIMENSIONS AND NO TOLERANCE LIMITS ARE ESTABLISHED

DIMENSIONAL RANGE (MM)		CHART E1	
FROM	TO	TOLERANCE UNLESS OTHERWISE SPECIFIED	ANGULAR TOLERANCE ±2°
> 0	> 20	±0.15	
> 20	> 30	±0.2	
> 30	> 70	±0.3	
> 70	> 100	±0.4	
> 100	> 150	±0.5	
> 150	> 200	±0.6	
> 200	> 250	±0.8	
> 250	> 300	±1	
> 300	> 400	±1.2	

DWG TYPE		PART DRAWING	
STYLE			
VOLUME (CM ³)	DISTR CODE		
0.230	D		
UNLESS OTHERWISE SPECIFIED			
THIS DOCUMENT IS IN ACCORDANCE WITH ASME Y14.5M-1994 AS AMENDED BY THE GM GLOBAL DIMENSIONING AND TOLERANCING ADDENDUM-2001. SEPARATE PATTERNS OF FEATURES MAY BE GAGED SEPARATELY REGARDLESS OF DATUM REFERENCES.			
ALL DIMENSIONS ARE IN MILLIMETERS			
REFERENCE			
THIRD ANGLE PROJECTION	DO NOT SCALE		
			
USE MATH DATA			

DELPHI	
DELPHI PACKARD ELECTRIC SYSTEMS WARREN, OH	
DR	ROBERT J D'ANDREA
APVD1	ROBERT J D'ANDREA
APVD2	ROBERT J D'ANDREA
APVD3	MICHAEL E FRANCIS
APVD4	
APVD5	
SUBSTANCES OF CONCERN AND RECYCLED CONTENT PER DELPHI 10949001	
MATERIAL M3592008 PLAS PA66 HS 1M BLU	
DRAWING NAME LOCK TPA GT 150 2 BLU	
DRAWING NUMBER 15489801	
SIZE	A1
SCALE	5:1
FRAME NO	1 OF 1
SHEET NO	1 OF 1
STG	R
REV	01
N/P	AA