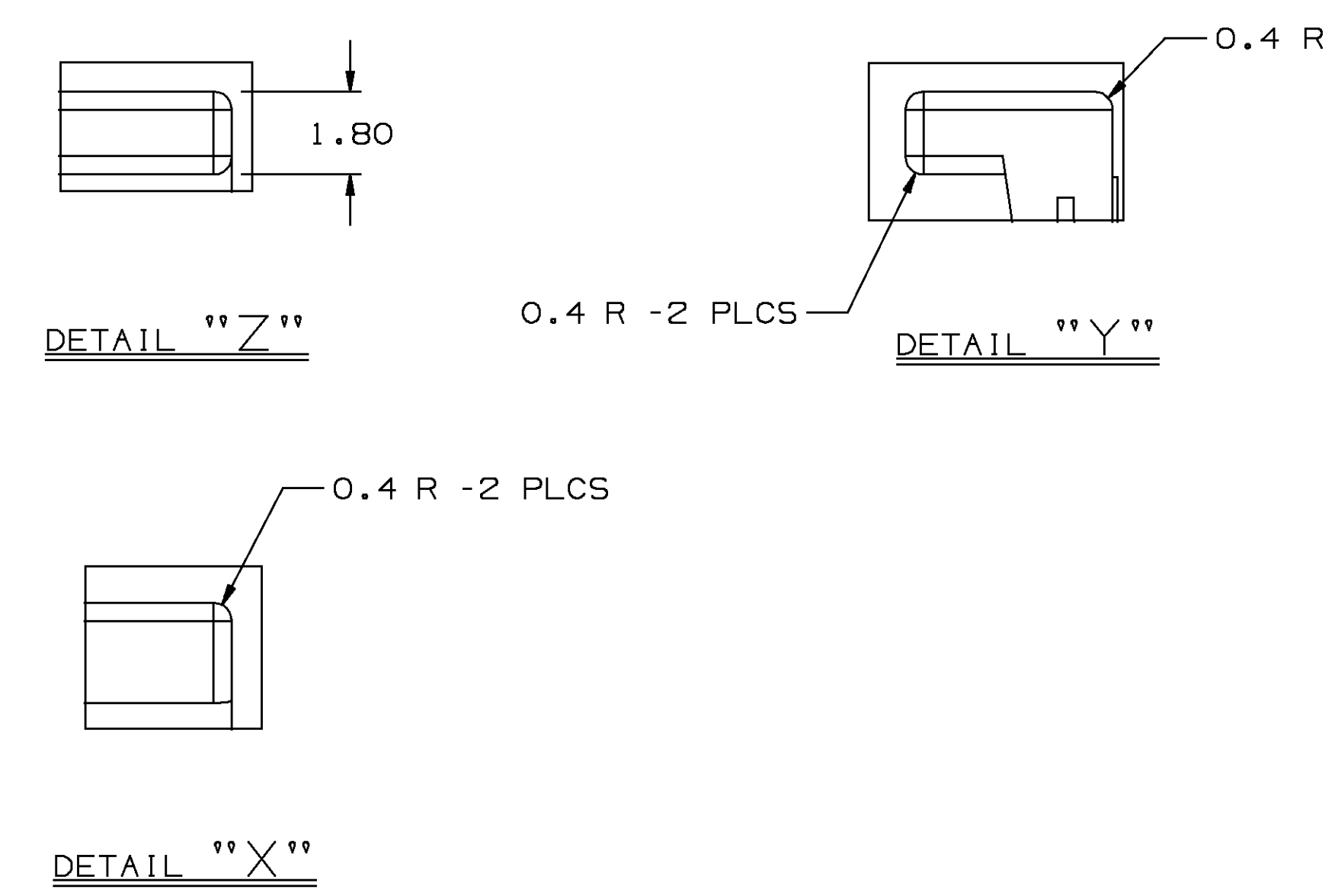
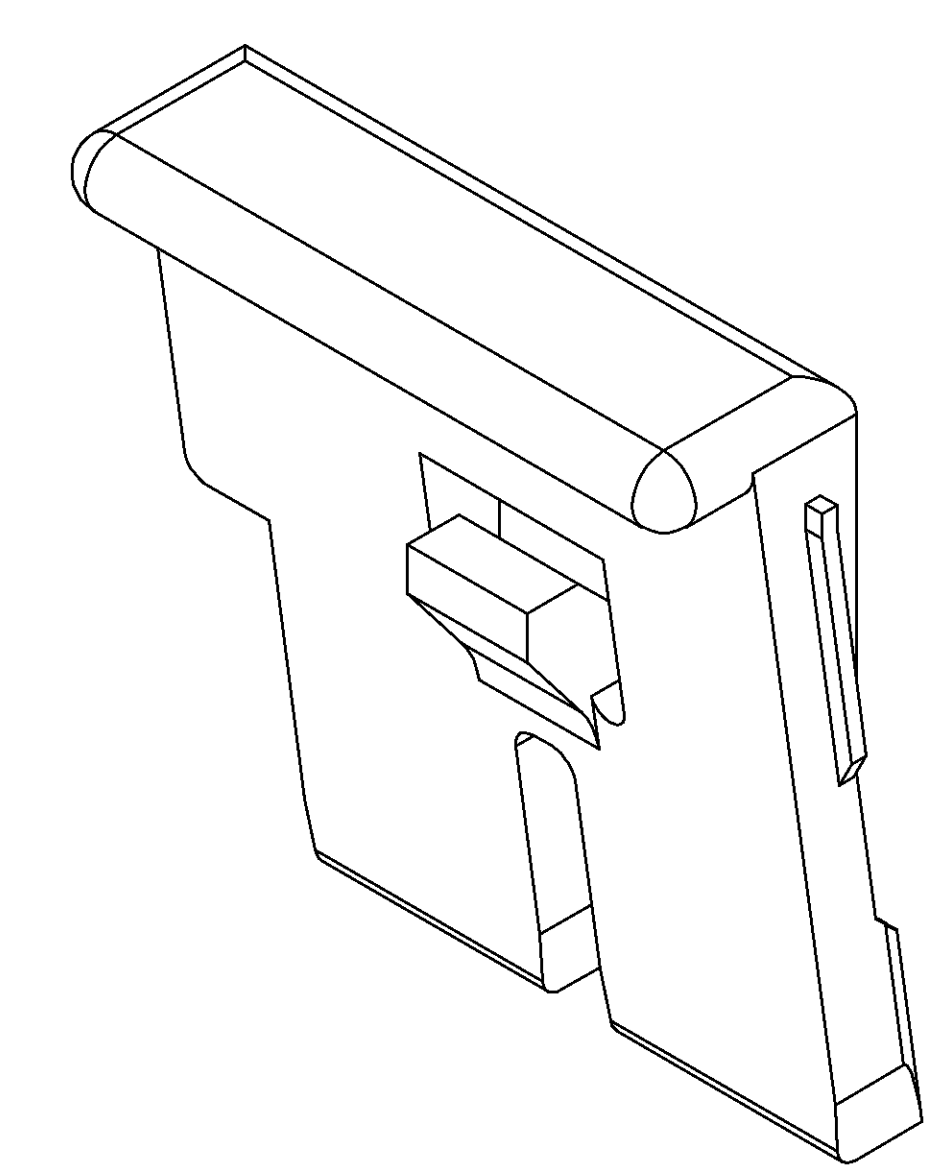
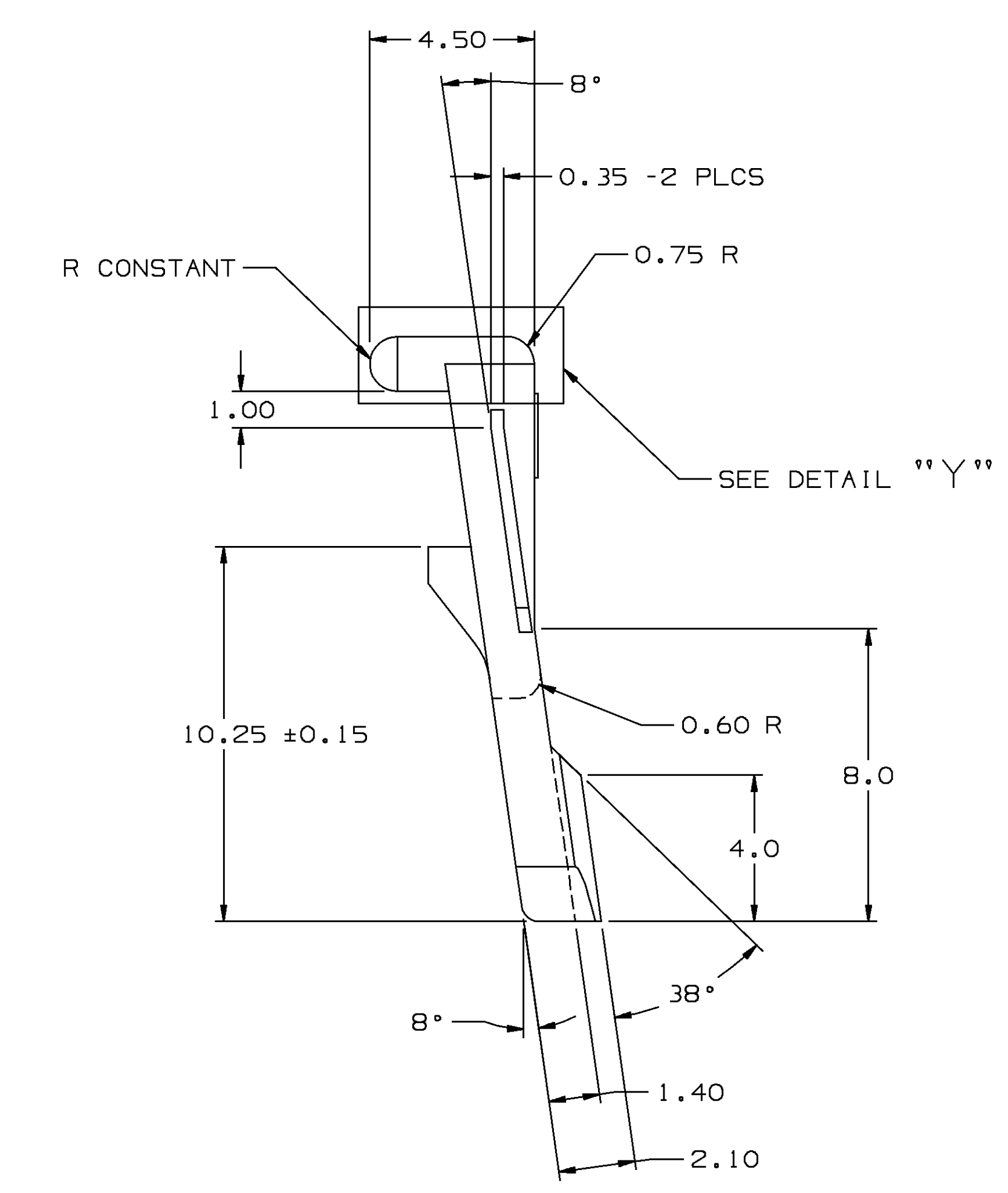
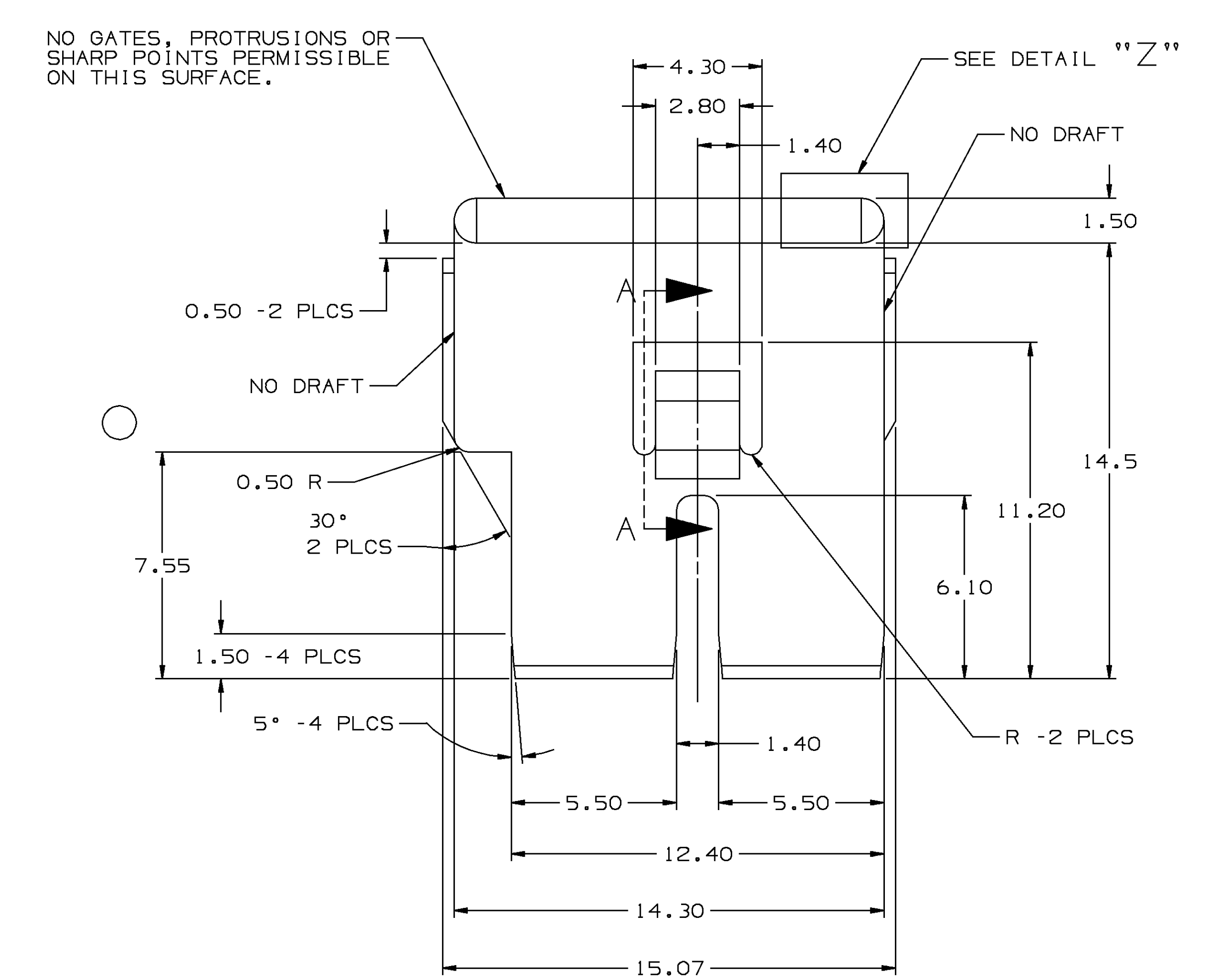
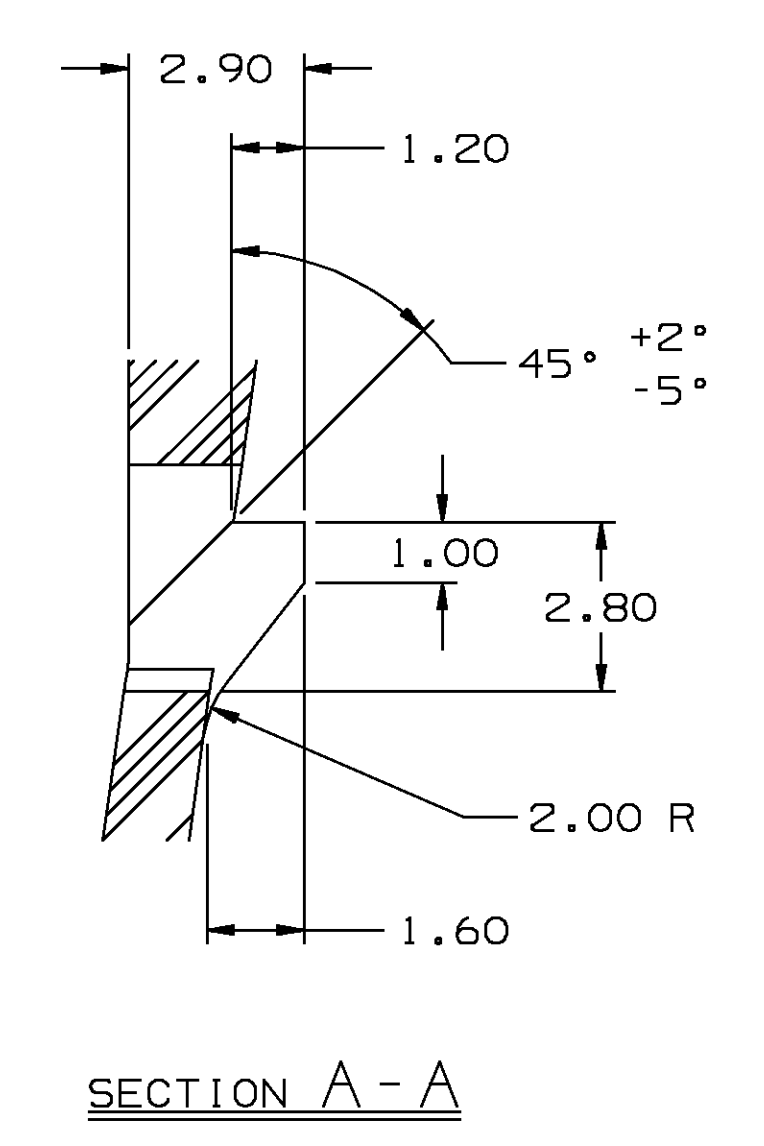


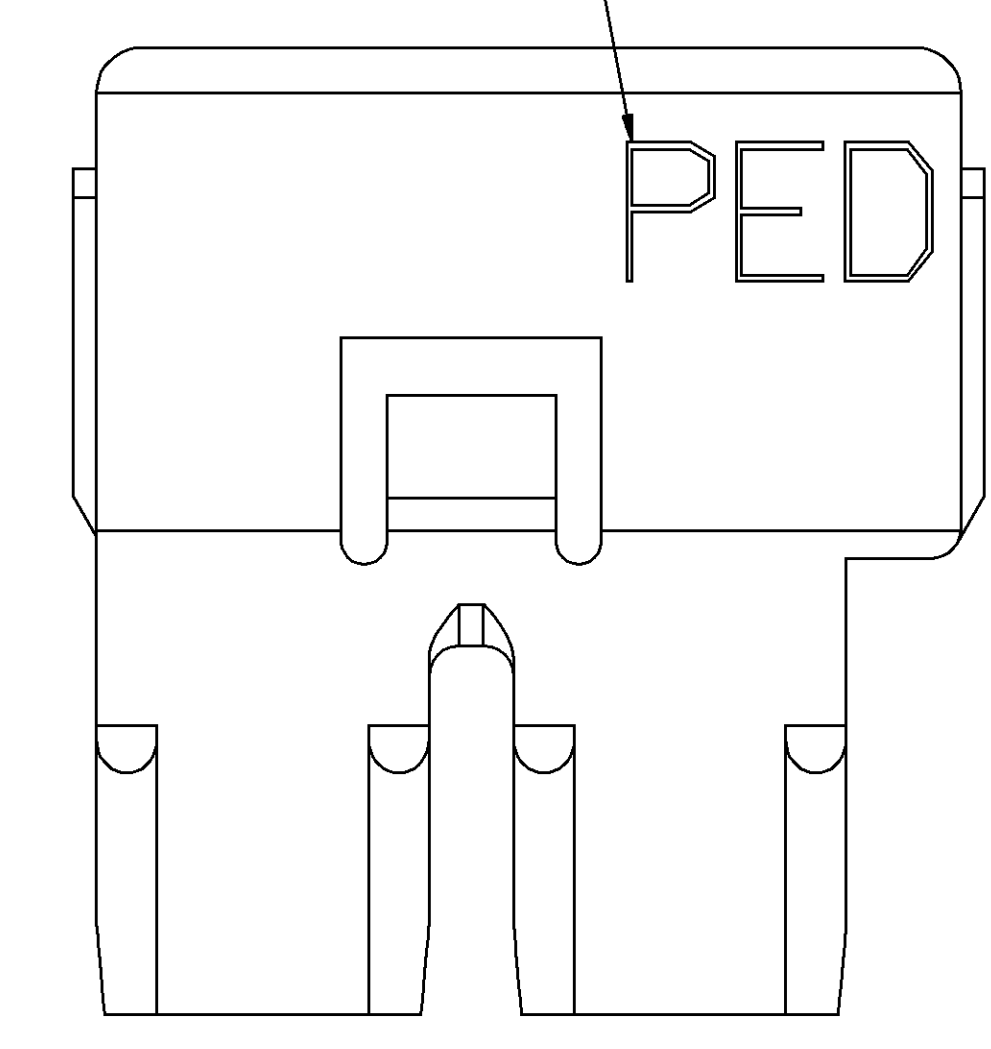
DATE	SYM	REVISION RECORD	AUTH	DR	CK
29FE96		12186374 - WAS SEPARATE			
		"A1" SIZE & 12059860 -			
		WAS SEPARATE "D" SIZE -			
		REV LEVELS REMAIN AT "A"	960005	CRM	PYP
29FE96		ALL PARTS - REVISED TO			
		REV "B"	168366	CRM	PYP
03JUN96		ALL PARTS - ADDED 30"			
		2 PLACES & REMOVED 1.04			
		DIM - REVISED NOTE # 2 -			
		NO REV UPDATE REQ'D	173802	CRM	PYP



OPTIONAL CONSTRUCTION
SAME AS ORIGINAL CONSTRUCTION EXCEPT AS SHOWN



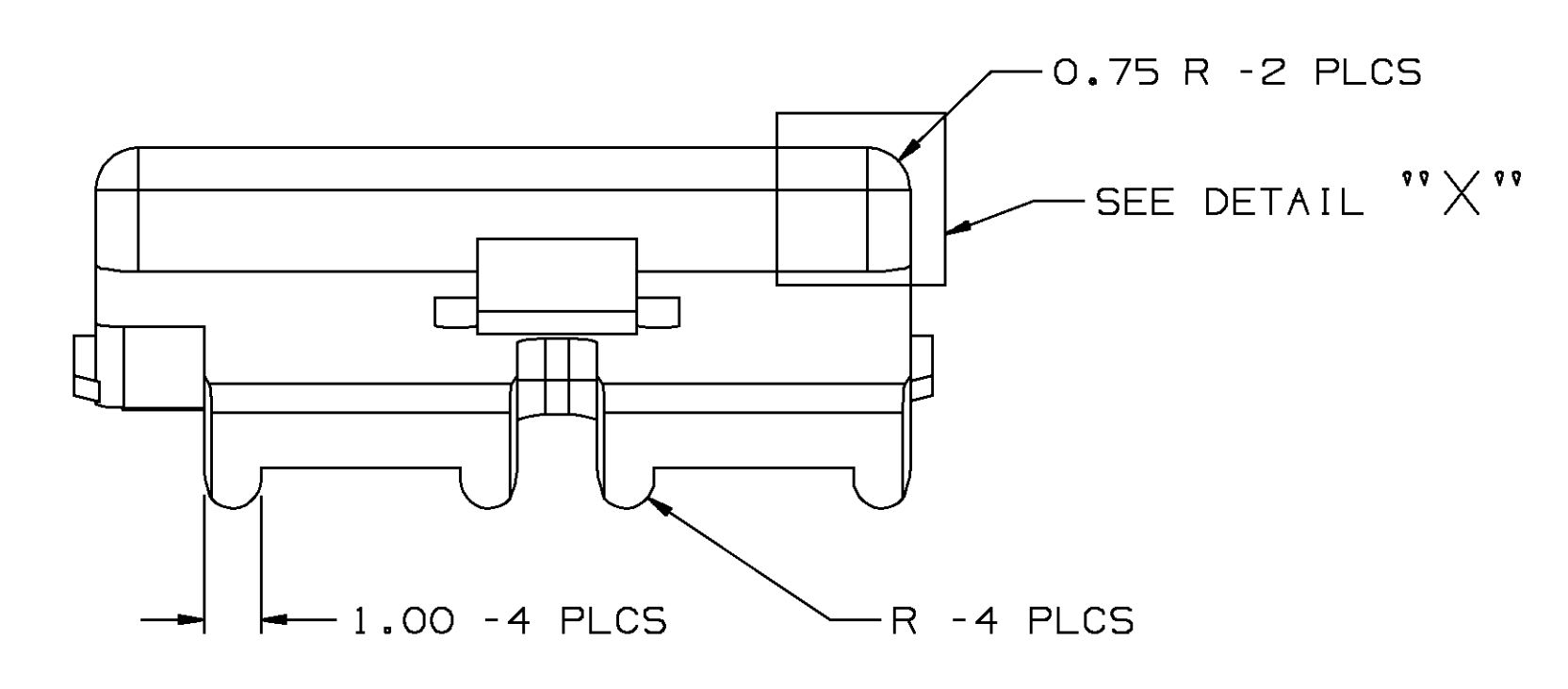
2.3 REF X 0.1 REF RAISED LETTERS AS SHOWN. MAY BE LOCATED ON ANY EXTERIOR SURFACE VISIBLE AT FINAL ASSEMBLY.



PART NO
1218 6407

PART NO
1218 6407

- NOTES:
- UNLESS OTHERWISE SPECIFIED AND/OR INDICATED: DIMENSIONS ARE TO FACE OF VIEW SHOWN AND AUTOMATICALLY ROUNDED BY COMPUTER FOR INSPECTION. (SEE MATH MODEL FOR PRECISE DIMENSION) ALL RADII 0.50 DRAFT IS 1° ON ALL OUTSIDE SURFACES
 - MATING COMPONENTS: CONNECTOR 12059808, 12059809, 12059810 OR EQUIVALENT
 - THIS PART IS NOT CONTROLLED FOR AUTOMATIC FEEDING.
 - ALL FUTURE TOOLS TO BE BUILT TO OPTIONAL CONSTRUCTION DIMENSIONS.



PART NO	REV	STATUS	MATERIAL SPEC & COLOR	VOL CM ³
12059860	B		RO071784 PA66 HS IM- GRA MD	0.394
12186374	B		RO071790 PA66 HS IM- BLU	0.394

Utophix II THIRD ANGLE PROJECTION 		METRIC DIMENSIONS ARE IN MILLIMETERS UNLESS OTHERWISE SPECIFIED TOLERANCE UNLESS OTHERWISE SPECIFIED DECIMAL ANGULARS 2° ONE PLACE ±0.3 TWO PLACE ±0.15	
CODE NO 6900	QC	DES	
DWG DATE 29FE96	DR C. RAMIREZ	29FE96	
SCALE B:1	CK PEDRO YABUR	06MR96	
REFERENCE NO 12059677	APPR	VOL CM ³ SEE CHART	
MATERIAL SPEC SEE CHART			
NAME TAXI SEC LK CONN			
PART NUMBER 1218 6407			SIZE A0

PACKARD ELECTRIC DIVISION
GENERAL MOTORS CORPORATION
WARREN, OHIO