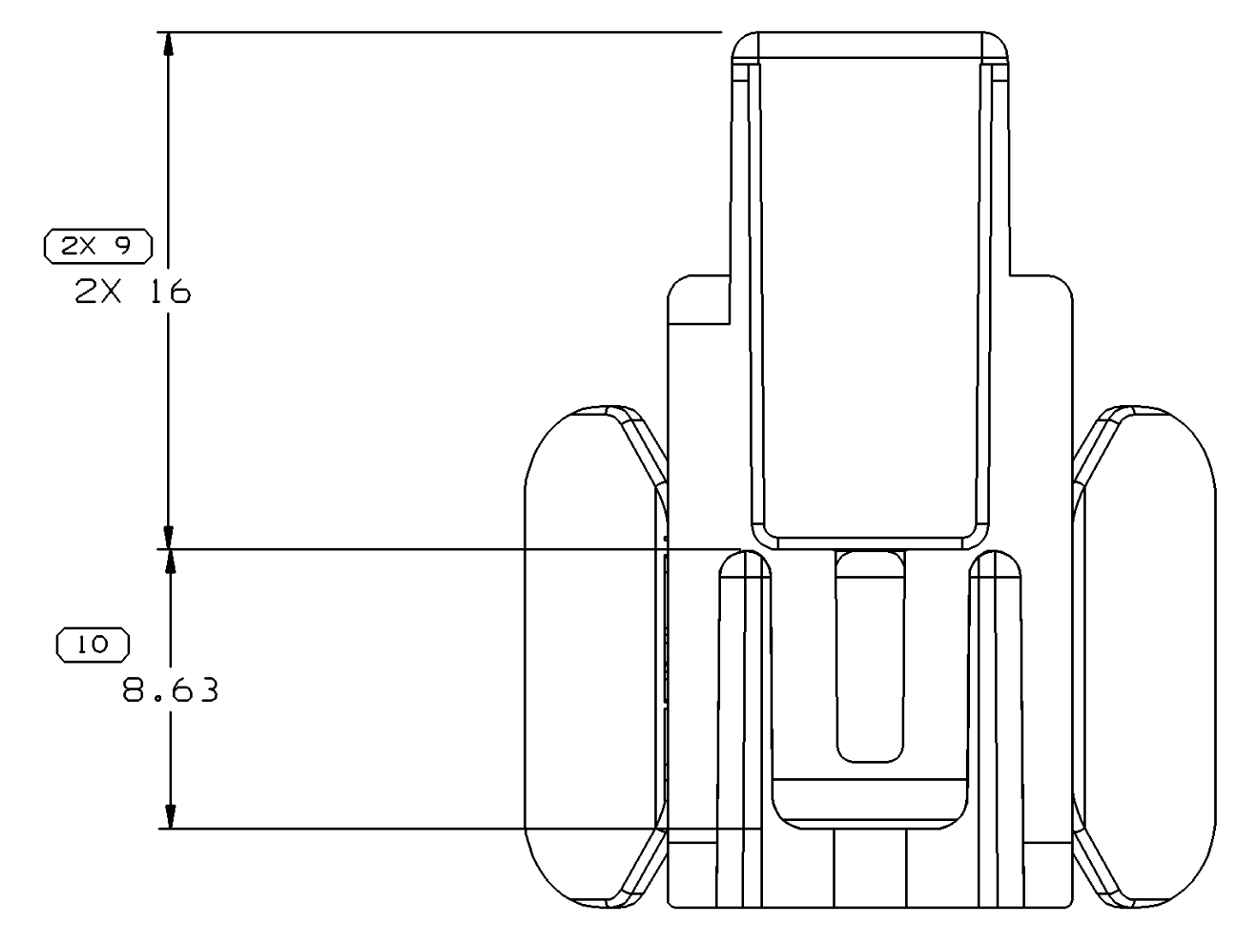
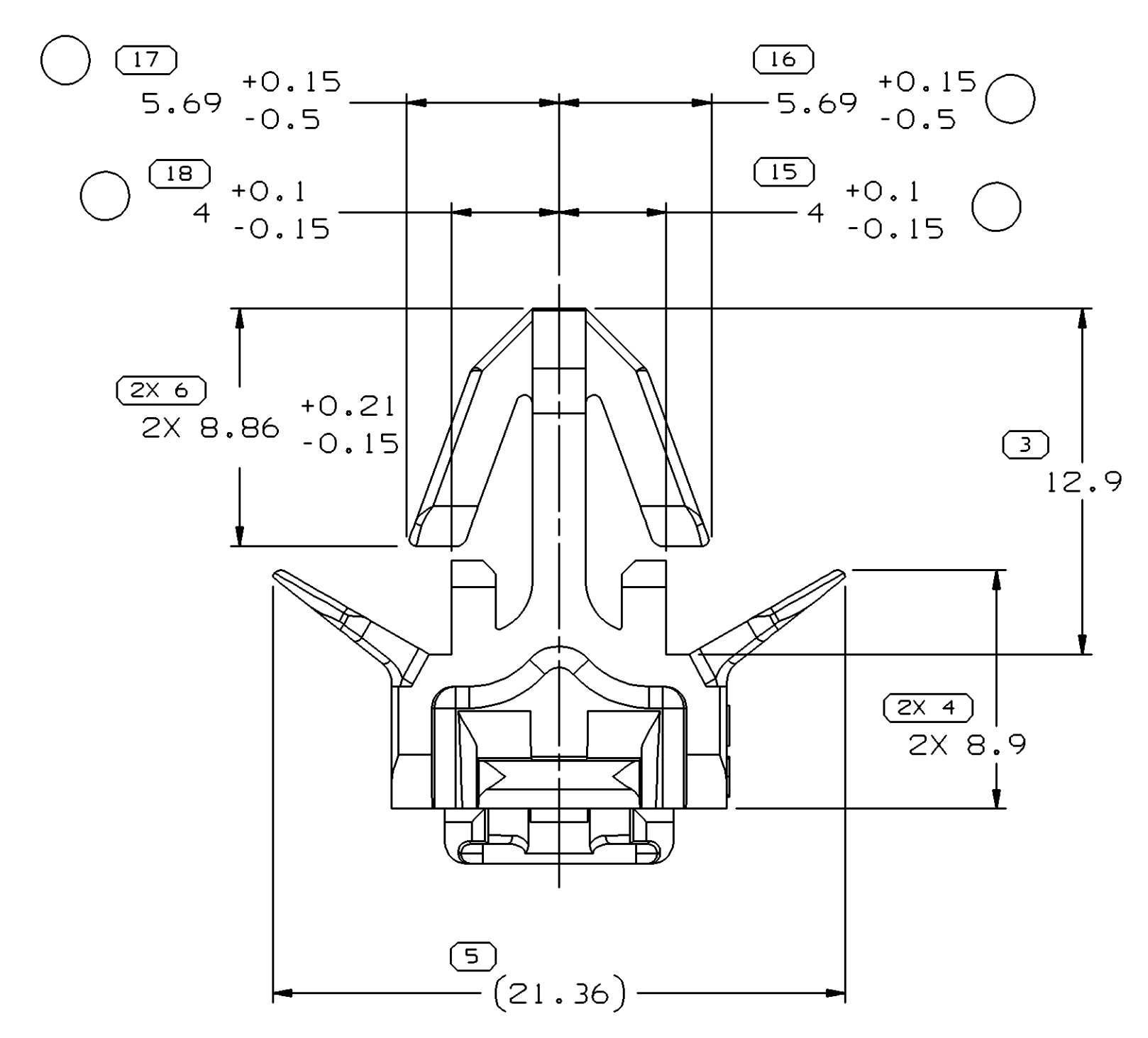
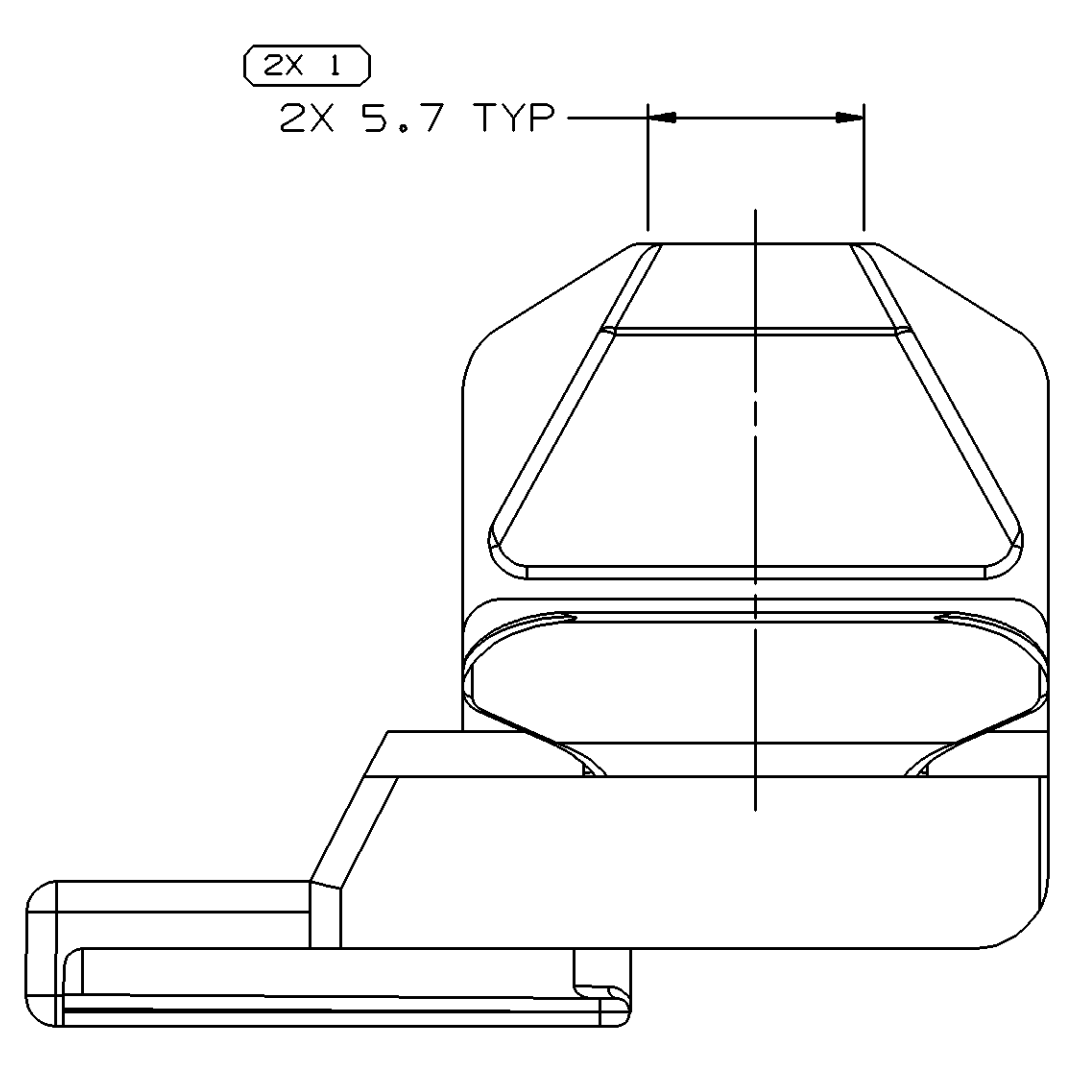
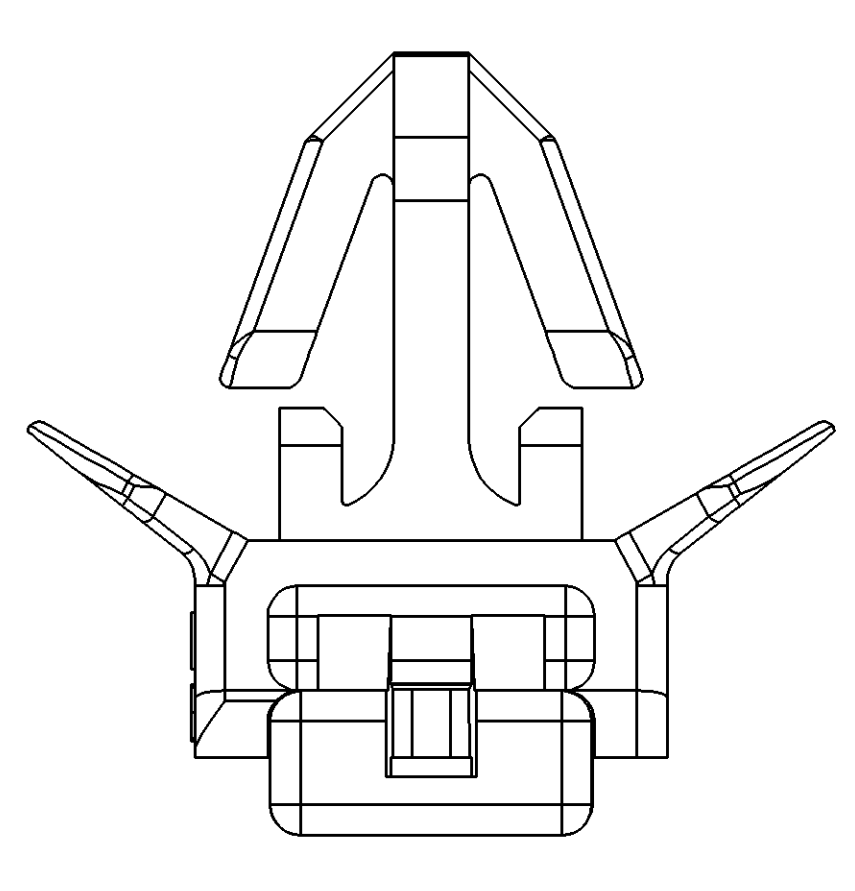
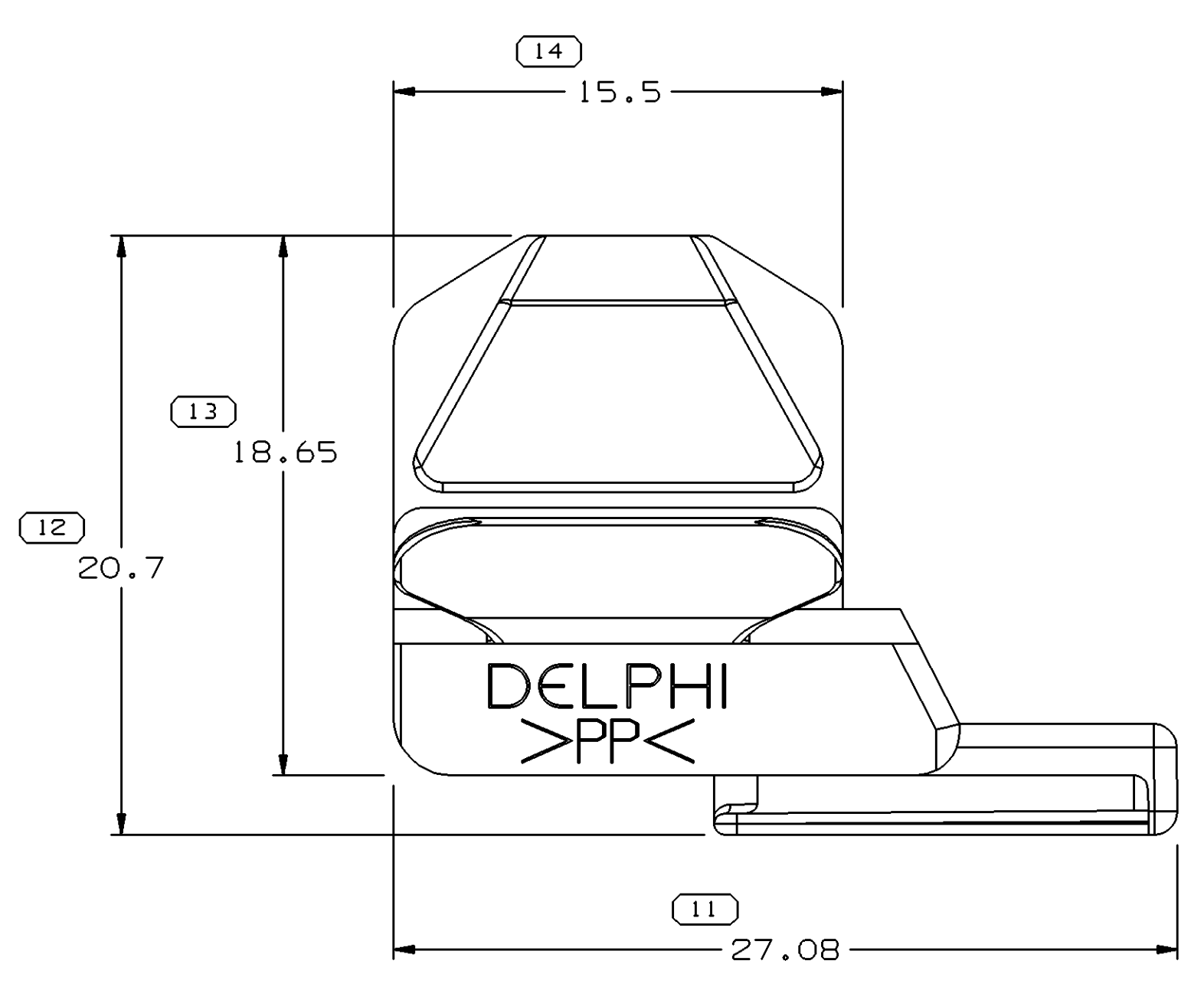
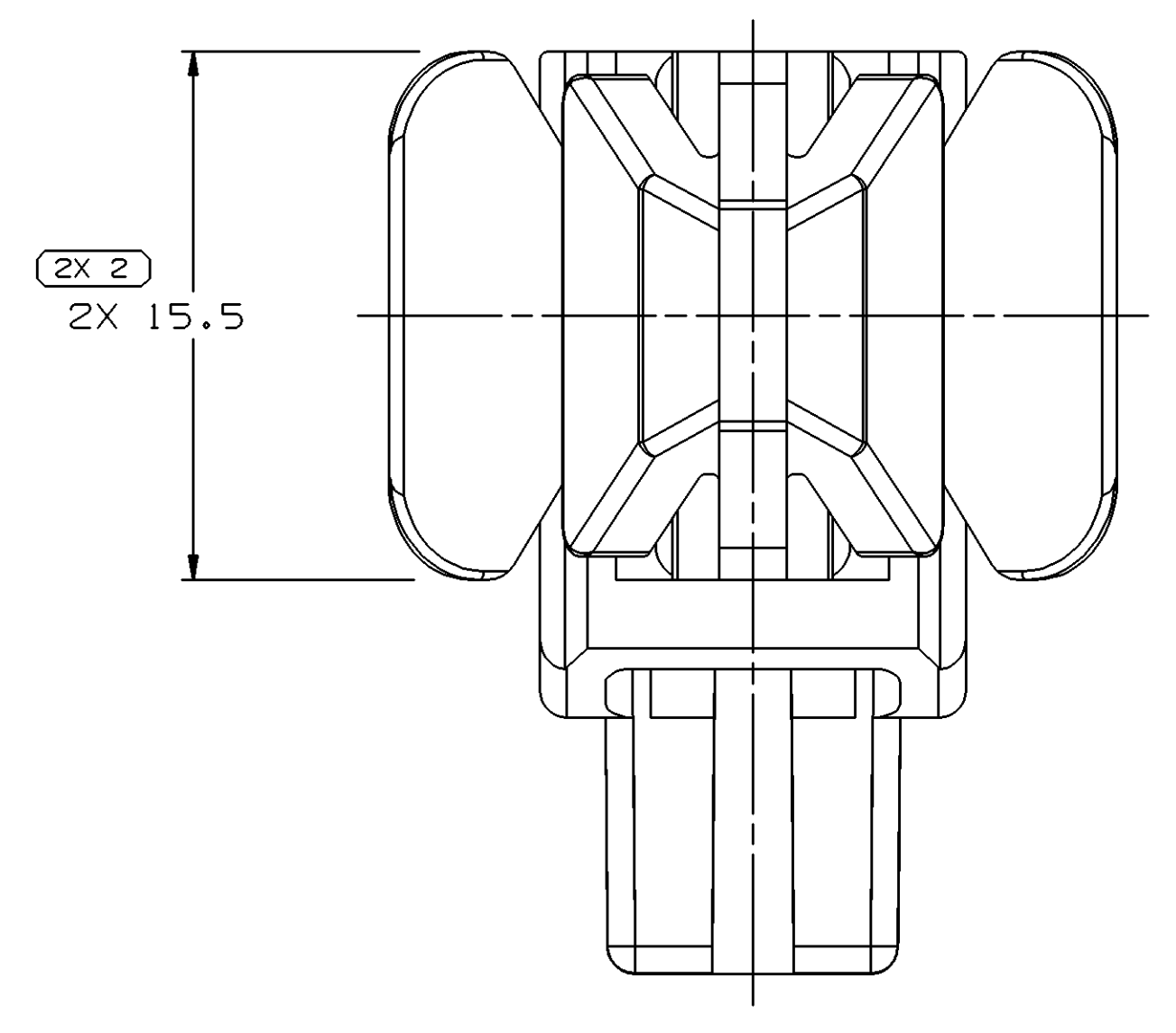
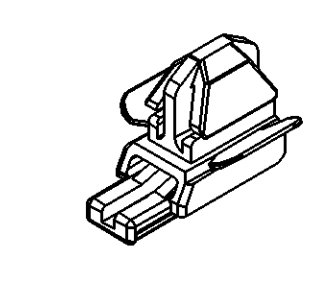


SYMBOL DEFINITION		TOTAL NO OF INSPECTIONS REQUIRED	
A DIMENSION WITHOUT AN INSPECTION REPORT SYMBOL DOES NOT REQUIRE INSPECTION. IT MAY BE CONTROLLED ON THE INDIVIDUAL COMPONENT DRAWING.		21	
	LAST NO. USED	18	

MISSING SYMBOLS					REVISION HISTORY				AUTH	DR	APVD
DATE	STG	REV	N/P	CHG	ZONE						
08MY02	R	02	-	-		CLEARED REV COLUMN; REVISED MODEL (3 PLCS); MOVED ALL VIEWS TO MATCH TOD; UPDATED MAT'L SPEC		224942	EES	EES	RAP
080C02	R	02	AA	-		REVISED TOLERANCES - 2PLCS		231790	CJC	CJC	RAP
27JN05	R	03	-	-		MATERIAL SPEC WAS M0661003 PP HS 1M-6RA		269660	AKJ	AKJ	RAP
14JUL05	R	03	AA	-		ADDED DIMS 15-18 AND REMOVED DIMS 7 AND 8		270094	JEB	JEB	RAP



- NOTES
- UNLESS OTHERWISE SPECIFIED AND/OR INDICATED: DIMENSIONS ARE TO FACE OF VIEW SHOWN AND AUTOMATICALLY ROUNDED BY COMPUTER FOR INSPECTION (SEE MATH MODEL FOR PRECISE DIMENSIONS). FOR ALL OTHER DIMENSIONS NOT SHOWN BUT REQUIRED FOR TOOL BUILD, SEE MATH MODEL FOR PRECISE TOOL PATH DATA.
  - MATERIAL RECYCLING CODE >PP< PER SAE J1344. (1.5)X(0.1) RAISED CHARACTERS AS SHOWN TO BE LOCATED ON ANY EXTERIOR SURFACE. OPTIONAL CONSTRUCTION TO BE NO MATERIAL RECYCLING CODE.
  - PART TO FIT RECTANGULAR HOLE (8.5 ±0.25) X (16 ±0.25) WITH STOCK THICKNESS OF 0.7 - 3 MM.
  - (1.5)X(0.1) RAISED DELPHI CORPORATE BRAND TO BE LOCATED ON ANY EXTERIOR SURFACE, PREFERABLY VISIBLE AT FINAL ASSEMBLY. OPTIONAL CONSTRUCTION TO BE "PED" OR NO LOGO.



DIMENSIONAL RANGE (MM)		CHART ET	
FROM	TO	FROM	TO
> 0	> 20	> 70	> 100
> 20	> 30	> 100	> 150
> 30	> 70	> 150	> 200
> 70	> 100	> 200	> 250
> 100	> 150	> 250	> 300
> 150	> 200	> 300	> 400

10, 15 | ±0.2 | ±0.3 | ±0.4 | ±0.5 | ±0.6 | ±0.8 | ±1 | ±1.2

ANGULAR TOLERANCE: ±2°

DWO TYPE: PART DRAWING	
VOLUME (COP): 2, 100	DISTR CODE: D
UNLESS OTHERWISE SPECIFIED	
THIS DOCUMENT IS IN ACCORDANCE WITH ASME Y14.5M-1994 AS AMENDED BY THE 2003 DIMENSIONING AND TOLERANCING ADDENDUM - 1997. ALL GEOMETRIC TOLERANCES AND RELATED DATUM APPL. TO ALL DIMENSIONS UNLESS OTHERWISE SPECIFIED.	
MDCI DOES NOT APPLY WHEN RELATIONSHIP BETWEEN FEATURES IS ESTABLISHED BY ORIENTATION OR LOCATION TOLERANCES. SEPARATE POSITION DATUMS MAY BE GAGED SEPARATELY, REGARDLESS OF DATUM REFERENCE.	
ALL DIMENSIONS ARE IN MILLIMETERS	
THIRD ANGLE PROJECTION	DO NOT SCALE
USE MATH DATA	UNSPRINGS

**DELPHI**  
DELPHI PACKARD ELECTRIC SYSTEMS  
WARREN, OH

DR	DATE
APVD1 ELIAS VAZQUEZ V.	08MR02
APVD2 ELIAS VAZQUEZ V.	08MR02
APVD3 R. PUHL	13MR02
APVD4	
APVD5	

SUBSTANCES OF CONCERN AND RECYCLED CONTENT PER DELPHI 10949001

MATERIAL: M2097003 PP HS 1M 6RA

DRAWING NAME: MOUN CLIP CONN ROSEBUD

DRAWING NUMBER: 15401328

SIZE: A0 SCALE: 5:1 FRAME NO: 1 OF 1 SHEET NO: 1 OF 1 REV: 03 AA