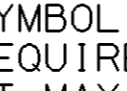
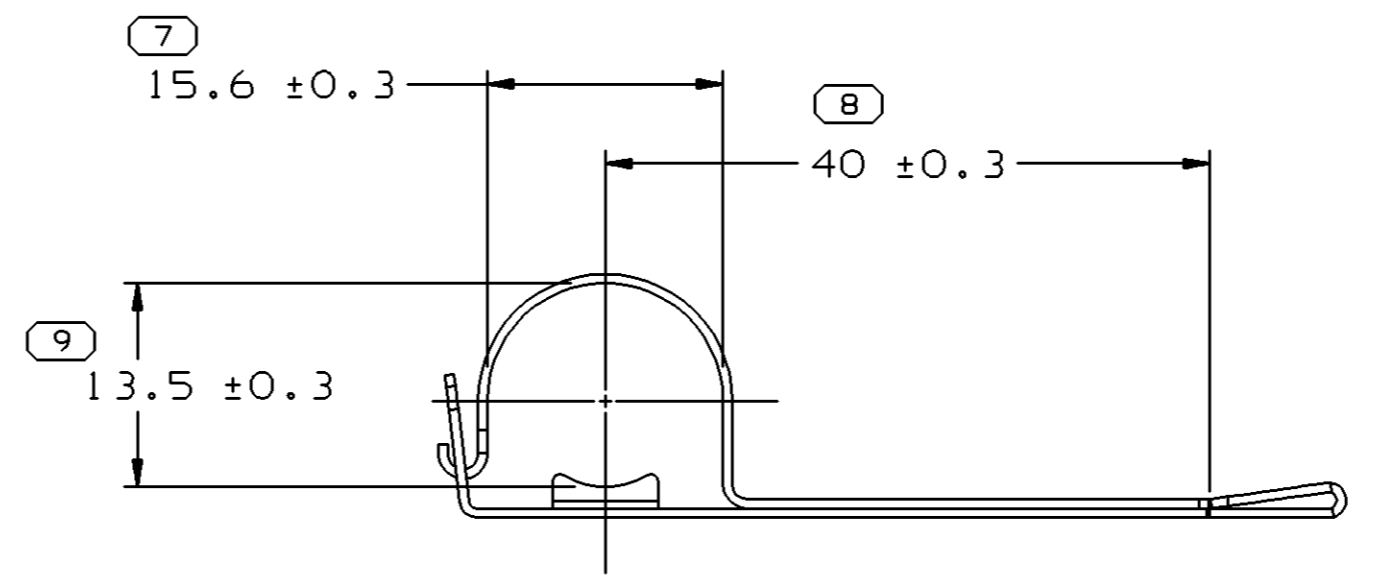
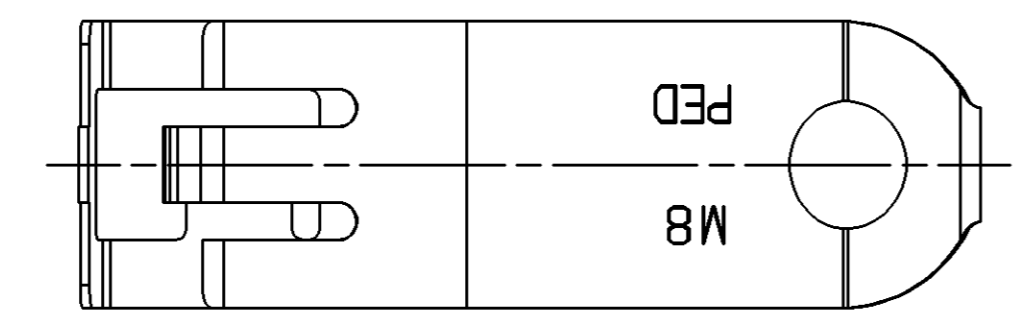
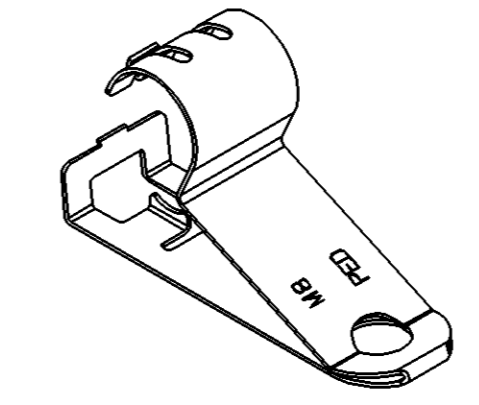
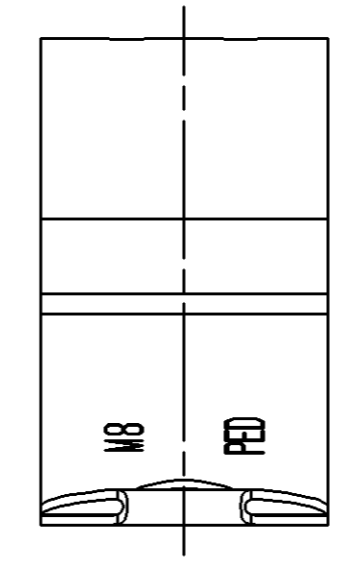
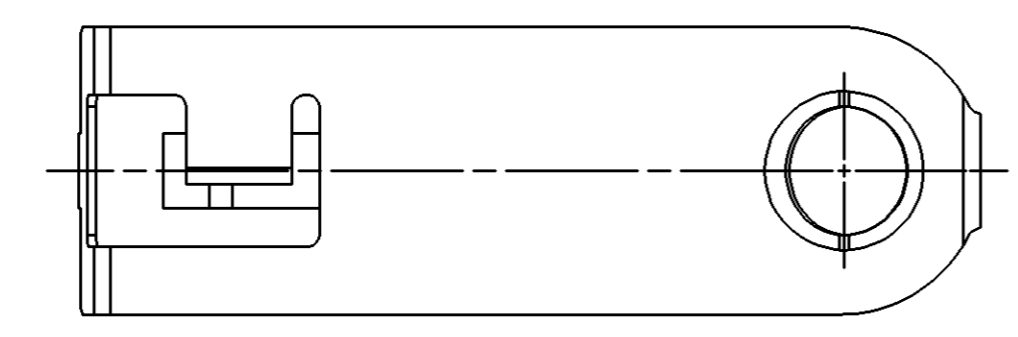
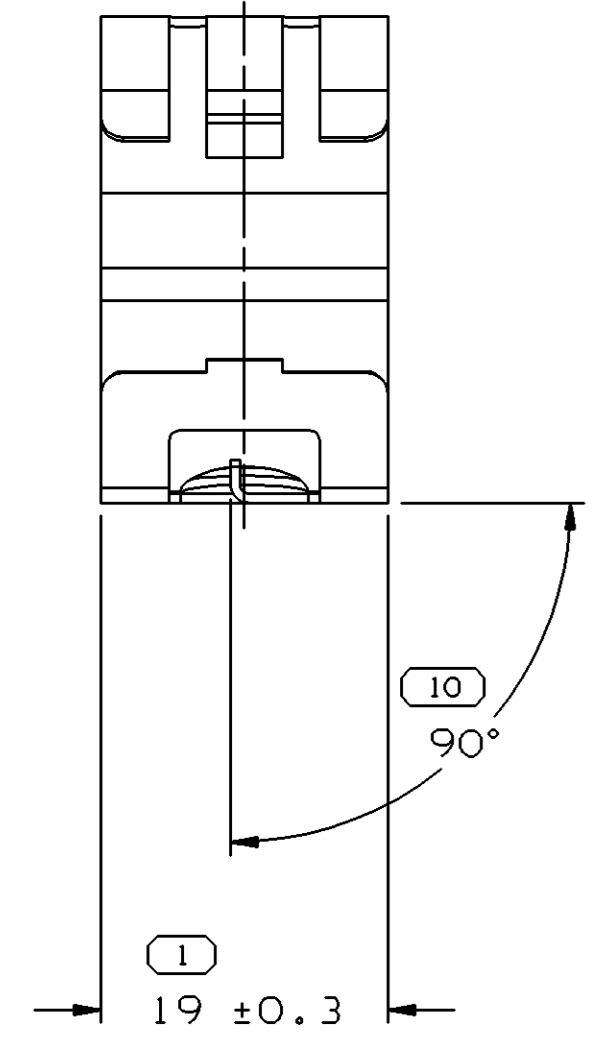
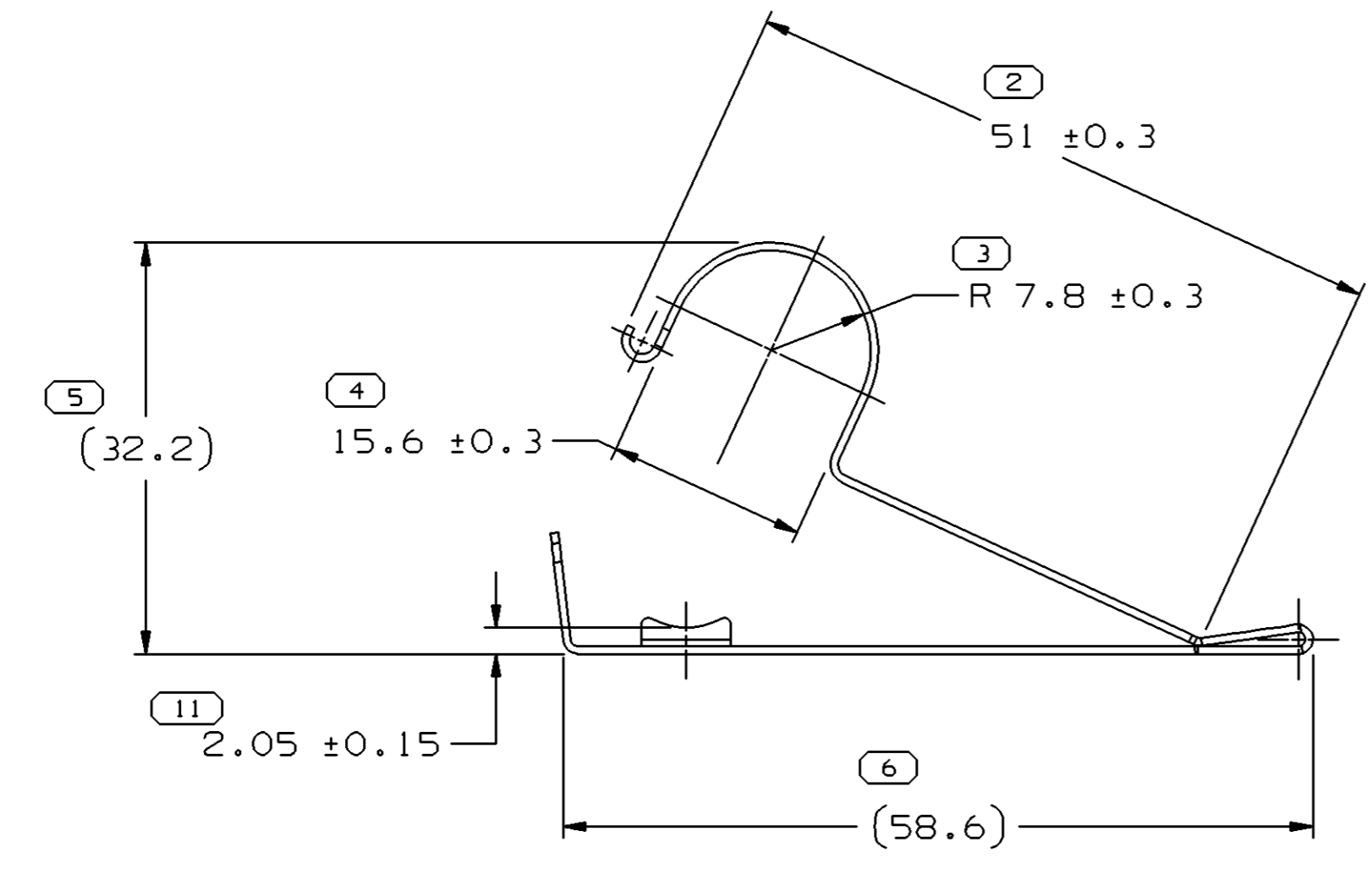


SYMBOL DEFINITION		MISSING NUMBERS	
A DIMENSION WITHOUT AN INSPECTION REPORT SYMBOL  DOES NOT REQUIRE INSPECTION. IT MAY BE CONTROLLED ON AN INDIVIDUAL COMPONENT DRAWING.	TOTAL NO. OF SYMBOLS ON DRAWING	11	
	LAST NO. USED	11	

DWG STATUS					ZONE	REVISION HISTORY	AUTH	DR	APVD 1	APVD 2
DATE	STG	REV	N/P	CHG						
21MY97	R	A	-	-		RELEASED	970005	OOD	EBS	-
140C97	R	B	-	-		MAT'L WAS PM000913-555	183208	AUG	AUG	-
27MR98	R	B1	-	-		REVISED	186045	PHC	OOD	-
02SE04	R	B2	-	-		ADDED DIMS 90°, 2.05 ±0.15	258291	ADK	ADK	SAN
12AP05	R	B3	-	-		DRAWING NAME WAS MOUN CLAMP CDT	266906	JPB	JAA	TP



CLOSED VIEW OF CLAMP



NOTES

1. UNLESS OTHERWISE SPECIFIED AND/OR INDICATED:

DIMENSIONS ARE TO FACE OF VIEW SHOWN AND AUTOMATICALLY ROUNDED BY COMPUTER FOR INSPECTION (SEE MATH MODEL FOR PRECISE DIMENSIONS). FOR ALL OTHER DIMENSIONS NOT SHOWN BUT REQUIRED FOR TOOL BUILD, SEE MATH MODEL FOR PRECISE TOOL PATH DATA.

PROCESS SENSITIVE DIMENSION	
DIMENSIONS ENCLOSED IN () INDICATE REFERENCE DIMENSIONS AND NO TOLERANCE LIMITS ARE ESTABLISHED	
DIMENSIONAL RANGE (MM)	CHART D
FROM 0	> 12
TO 12	
TOLERANCE UNLESS OTHERWISE SPECIFIED	
±0.1	±0.2
ANGULAR TOLERANCE ±2°	

DWG TYPE		PART DRAWING	
STYLE			
VOLUME (CM³)		DISTR CODE	
UNLESS OTHERWISE SPECIFIED			
THIS DOCUMENT IS IN ACCORDANCE WITH ASME Y14.5M-1994 AS AMENDED BY THE GM GLOBAL DIMENSIONING AND TOLERANCING ADDENDUM - 1997. ALL GEOMETRIC TOLERANCES AND RELATED DATUMS APPLY RFS. RULE #1 PERFECT FORM AT MMC DOES NOT APPLY WHEN RELATIONSHIP BETWEEN FEATURES IS ESTABLISHED BY ORIENTATION OR LOCATION TOLERANCES. SEPARATE POSITION CALLOUTS MAY BE GAGED SEPARATELY, REGARDLESS OF DATUM REFERENCE. ALL DIMENSIONS ARE IN MILLIMETERS			
THIRD ANGLE PROJECTION		DO NOT SCALE	
USE MATH DATA		UNIGRAPHICS	

DELPHI			
DELPHI PACKARD ELECTRIC SYSTEMS WARREN, OH			
DR		DATE	
APVD1	OSCAR OCHOA	21MY97	
APVD2	ENRIQUE BAEZ	22MY97	
APVD3	DAN MCEOWEN	10JN97	
APVD4			
APVD5			
SUBSTANCES OF CONCERN AND RECYCLED CONTENT PER DELPHI 10949001			
MATERIAL M0929555 METL FERROUS SAE 1008 1/4 HD			
DRAWING NAME MOUN CLAMP CDT 10MM M8			
DRAWING NUMBER 15326073			
SIZE	SCALE	FRAME NO	SHEET NO
A1	2:1	1 OF 1	1 OF 1
STG	REV	N/P	
R	B3	-	