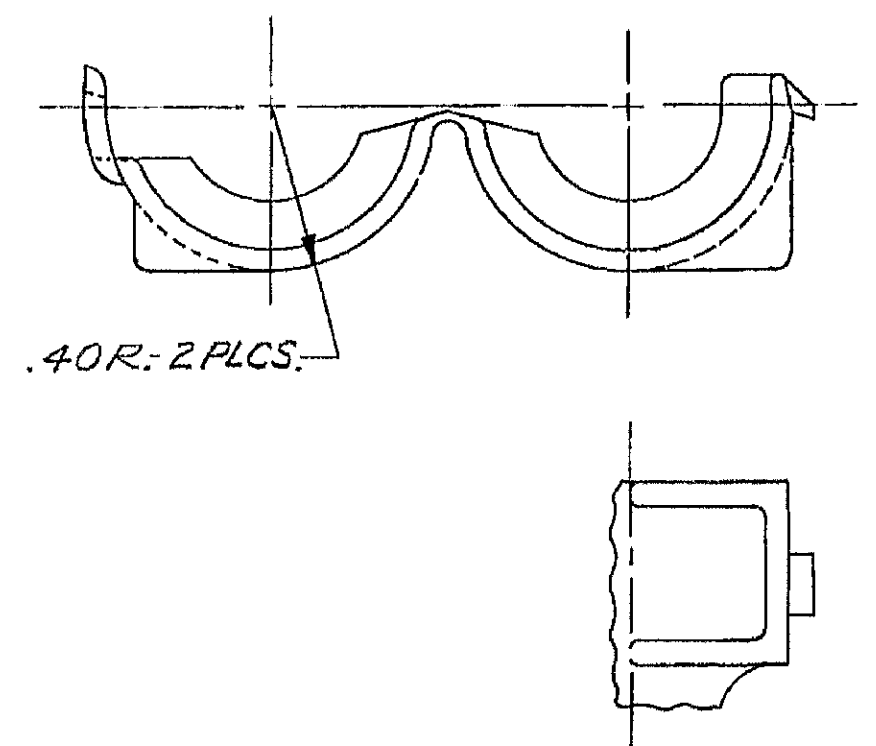
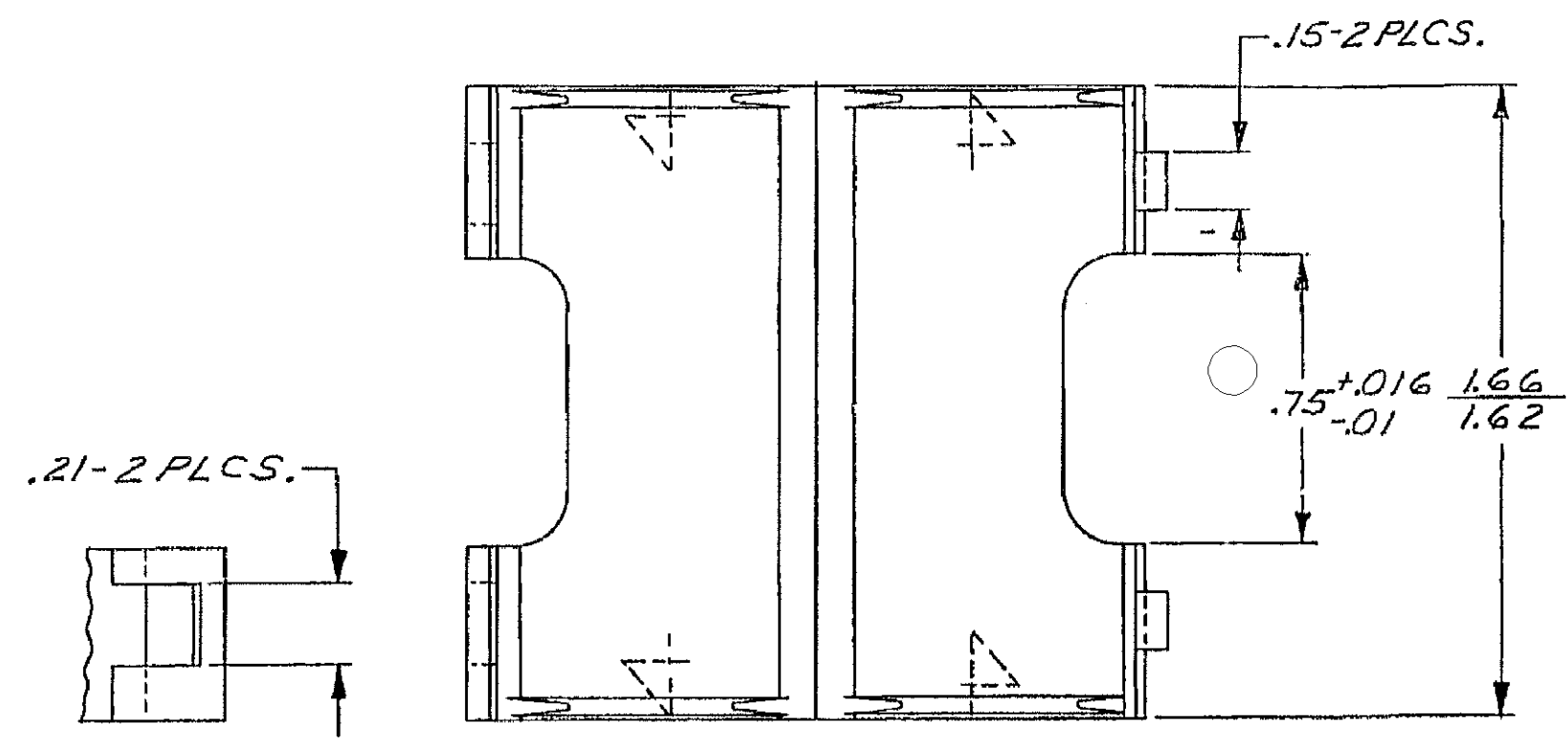


DWG STATUS					ZONE	REVISION HISTORY	AUTH	DR	APVD 1	APVD 2
DATE	STG	REV	N/P	CHG						
16JL71		-				.40 ±.01 R. - 2 PLCS. WAS .400 ±.005 R. - 2 PLCS.	43485	TM	JH	
16AU71		-				RIBS REVISED	43719	TM	JH	
08FE05	R	03	-	-		MAT'L SPEC WAS R-61354, ADDED NOTES (3 PLCS) AND REVISED NOTE	263319	MJM	MJM	ET
11N005	R	03	AA	-		.75 +.016 /-.01 WAS .75	274162	JAR	AUG	ET



NOTES

- UNLESS OTHERWISE SPECIFIED AND/OR INDICATED:  
DIMENSIONS ARE TO FACE OF VIEW SHOWN.
- MATERIAL RECYCLING CODE PER ISO 11469. (.09)X(.004) RAISED CHARACTERS AS SHOWN TO BE LOCATED ON ANY EXTERIOR SURFACE. OPTIONAL CONSTRUCTION TO BE NO MATERIAL RECYCLING CODE.
- (.09)X(.004) RAISED DELPHI CORPORATE BRAND TO BE LOCATED ON ANY EXTERIOR SURFACE, PREFERABLY VISIBLE AT FINAL ASSEMBLY. OPTIONAL CONSTRUCTION TO BE "PED" OR NO LOGO.
- THIS PART TO ACCEPT .406IN I.D. CONDUIT.

DWG TYPE		PART DRAWING	
STYLE			
VOLUME (CM <sup>3</sup> )	DISTR CODE		
	D		
UNLESS OTHERWISE SPECIFIED			
THIS DOCUMENT IS IN ACCORDANCE WITH ASME Y14.5M-1994 AS AMENDED BY THE GM GLOBAL DIMENSIONING AND TOLERANCING ADDENDUM - 1997. ALL GEOMETRIC TOLERANCES AND RELATED DATUMS APPLY RFS. RULE #1 (PERFECT FORM AT MMC) DOES NOT APPLY WHEN RELATIONSHIP BETWEEN FEATURES IS ESTABLISHED BY ORIENTATION OR LOCATION TOLERANCES. SEPARATE POSITION CALLOUTS MAY BE GAGED SEPARATELY, REGARDLESS OF DATUM REFERENCE.			
ALL DIMENSIONS ARE IN INCHES			
REFERENCE			

TOLERANCE UNLESS OTHERWISE SPECIFIED:  
 DECIMAL:           ANGULAR ±2°  
 TWO PLACE ±0.01  
 THREE PLACE ±0.005

THIRD ANGLE PROJECTION

DO NOT SCALE

USE MATH DATA

**DELPHI**

DELPHI PACKARD ELECTRIC SYSTEMS  
WARREN, OH

DR	DATE
APVD1 T. MUDREY	16JN71
APVD2 HUBBARD	24JN71
APVD3 E.V. MCGOWAN	28JN71
APVD4 PEARCE	28JN71
APVD5	

SUBSTANCES OF CONCERN AND RECYCLED  
CONTENT PER DELPHI 10949001

MATERIAL  
M2097001 PP 1M BLK

DRAWING NAME  
COND FITTING OTLT BLK

DRAWING NUMBER  
**08905924**

SIZE	SCALE	FRAME NO	SHEET NO	STG	REV	N/P
A2	N/A	1 OF 1	1 OF 1	R	03	AA