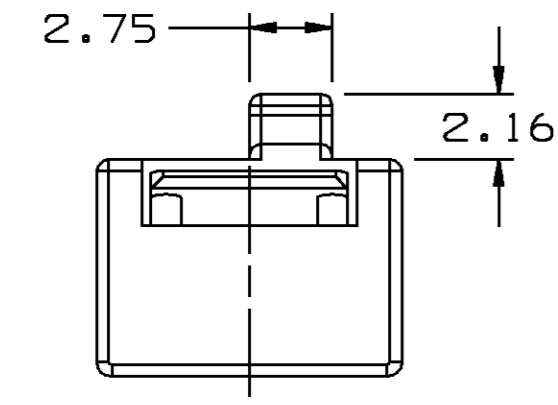


PACKARD ELECTRIC DIVISION
GENERAL MOTORS CORPORATION
WARREN, OHIO

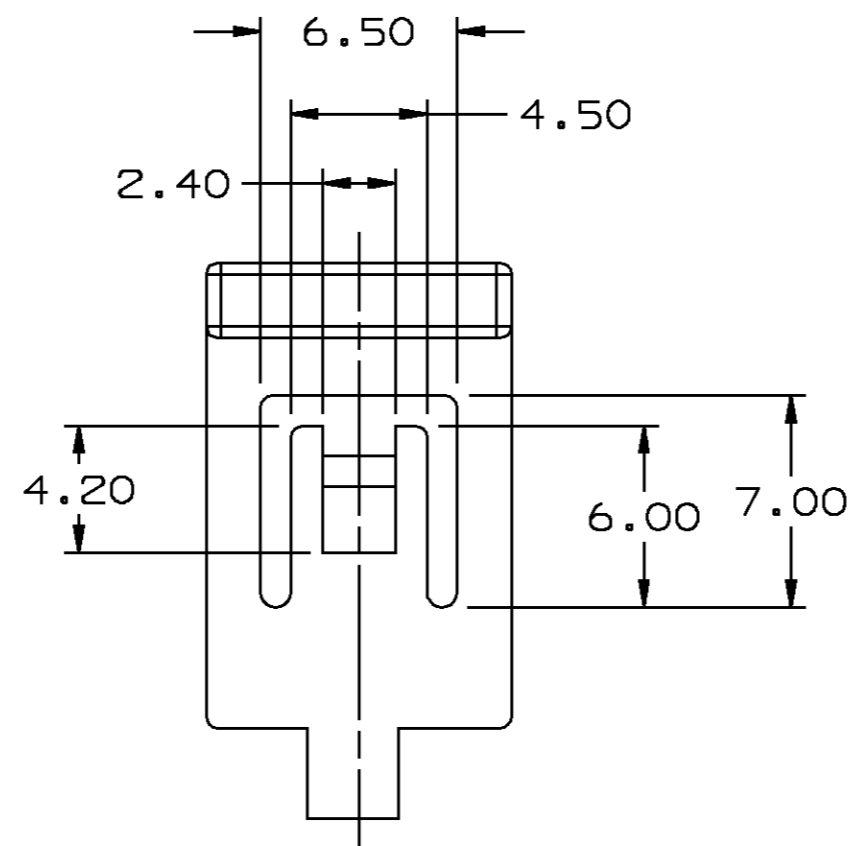
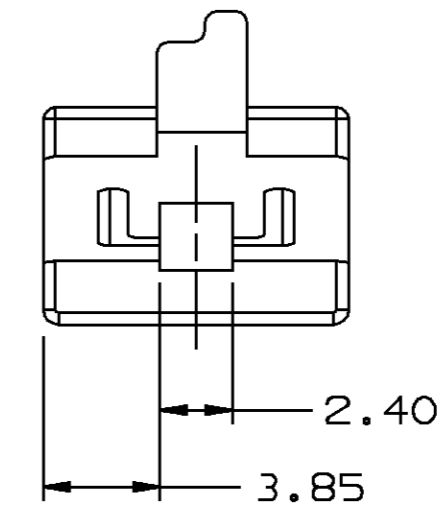
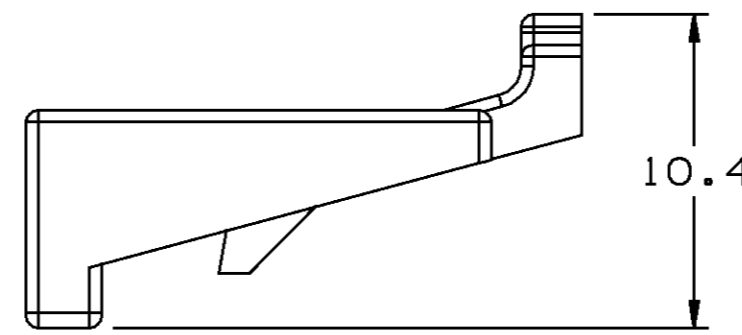
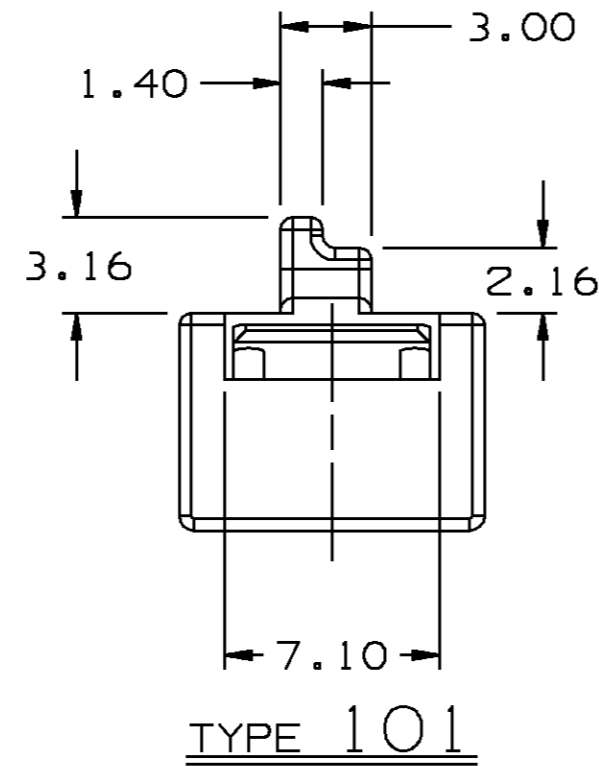
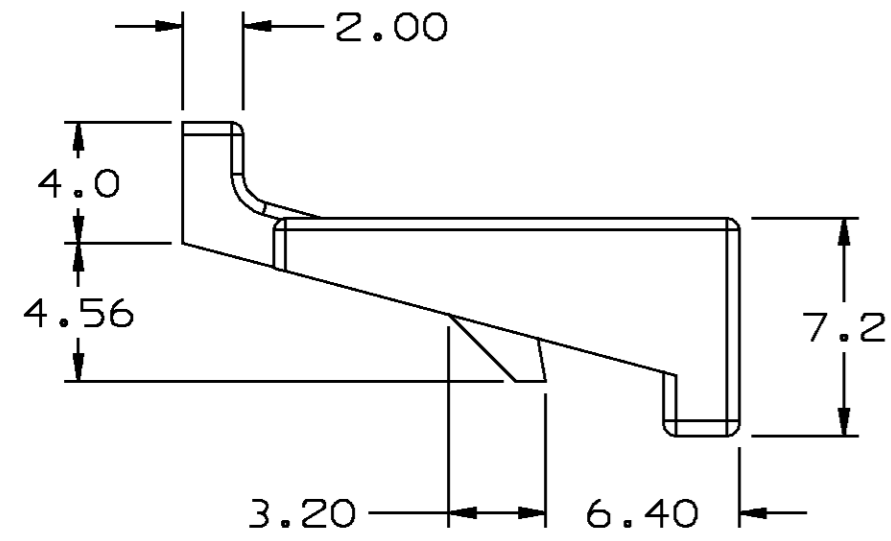
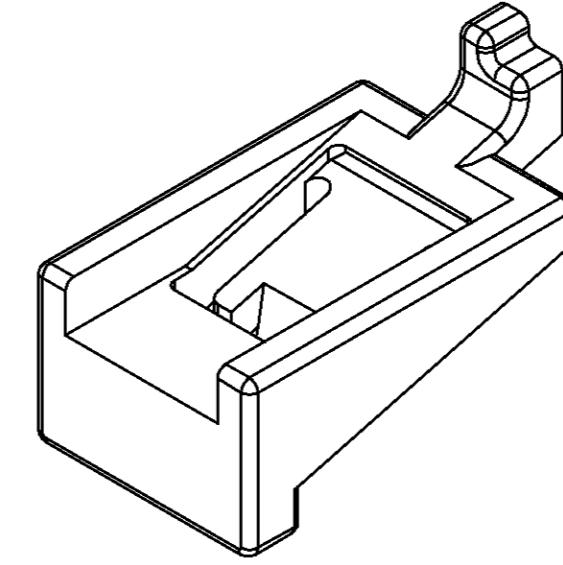
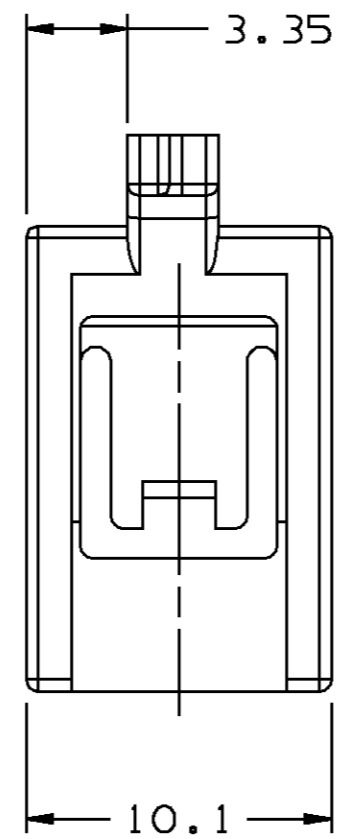
DO NOT SCALE

D

PART NO
1219 1158



TYPE 102
SAME AS TYPE 101
EXCEPT AS SHOWN



DATE	SYM	REVISION RECORD	AUTH	DR	CK
08JN95	—	12160895 WAS SEPARATE			
		"A1" SIZE DWG	166189	HBT	WTP
08JN95	—	12191159 RELEASED			
		TO REV "A"	950005	HBT	WTP

PART NO
1219 1158

		METRIC DIMENSIONS ARE IN MILLIMETERS UNLESS OTHERWISE SPECIFIED	
THIRD ANGLE PROJECTION 		TOLERANCE UNLESS OTHERWISE SPECIFIED DECIMAL: ANGULAR ± 2°	
CODE NO 6900	QC	ONE PLACE ± 0.3 TWO PLACE ± 0.15 DES	
DWG DATE 08JN95	DR H. BARREIRO 08JN95	DR H. BARREIRO 08JN95 CK W. TURNBULL 14JN95	
SCALE 4:1	APPR 12191158 "A1" SIZE VOL CM ³ SEE CHART		
MATERIAL SPEC SEE CHART			
NAME TPA 1F MAXI			
PART NUMBER 1219 1158		SIZE A2	
PRODUCT INFORMATION DWG			

12191159	A		102	R0061931 PA6 NAT	12160893	0.437
12160895	B		101	R0064366 PA6 GRA MD	12160894	0.442
PART NO	REV	STATUS	TYPE	MATERIAL SPEC & COLOR	MATING CONNECTOR	VOL CM ³

