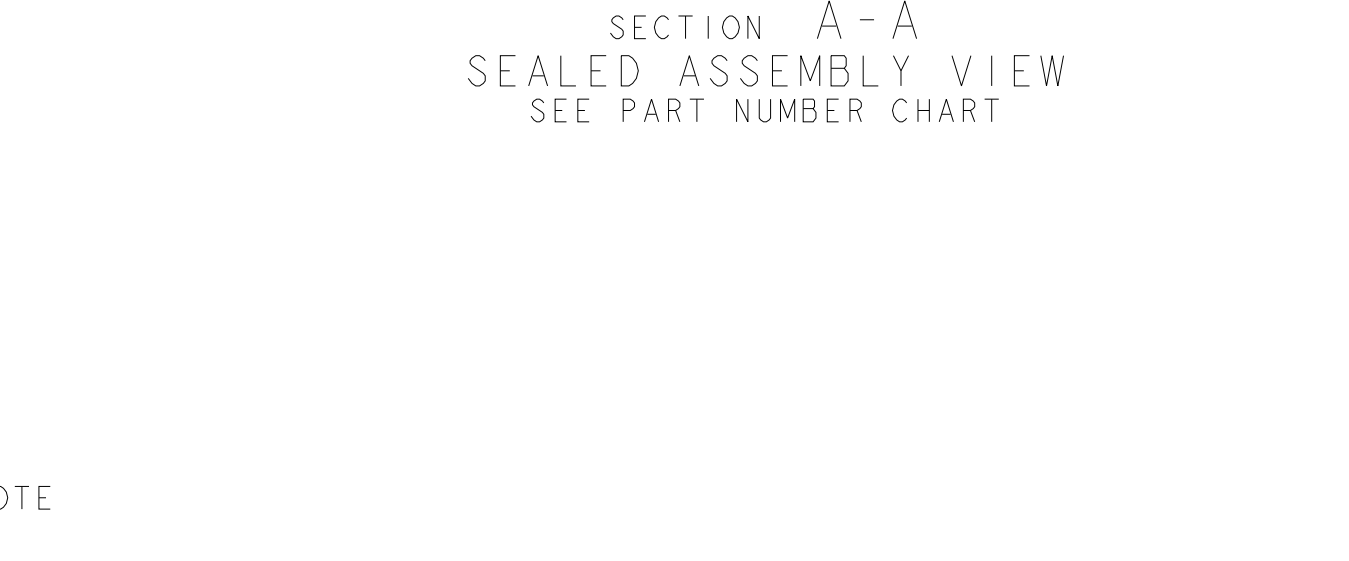
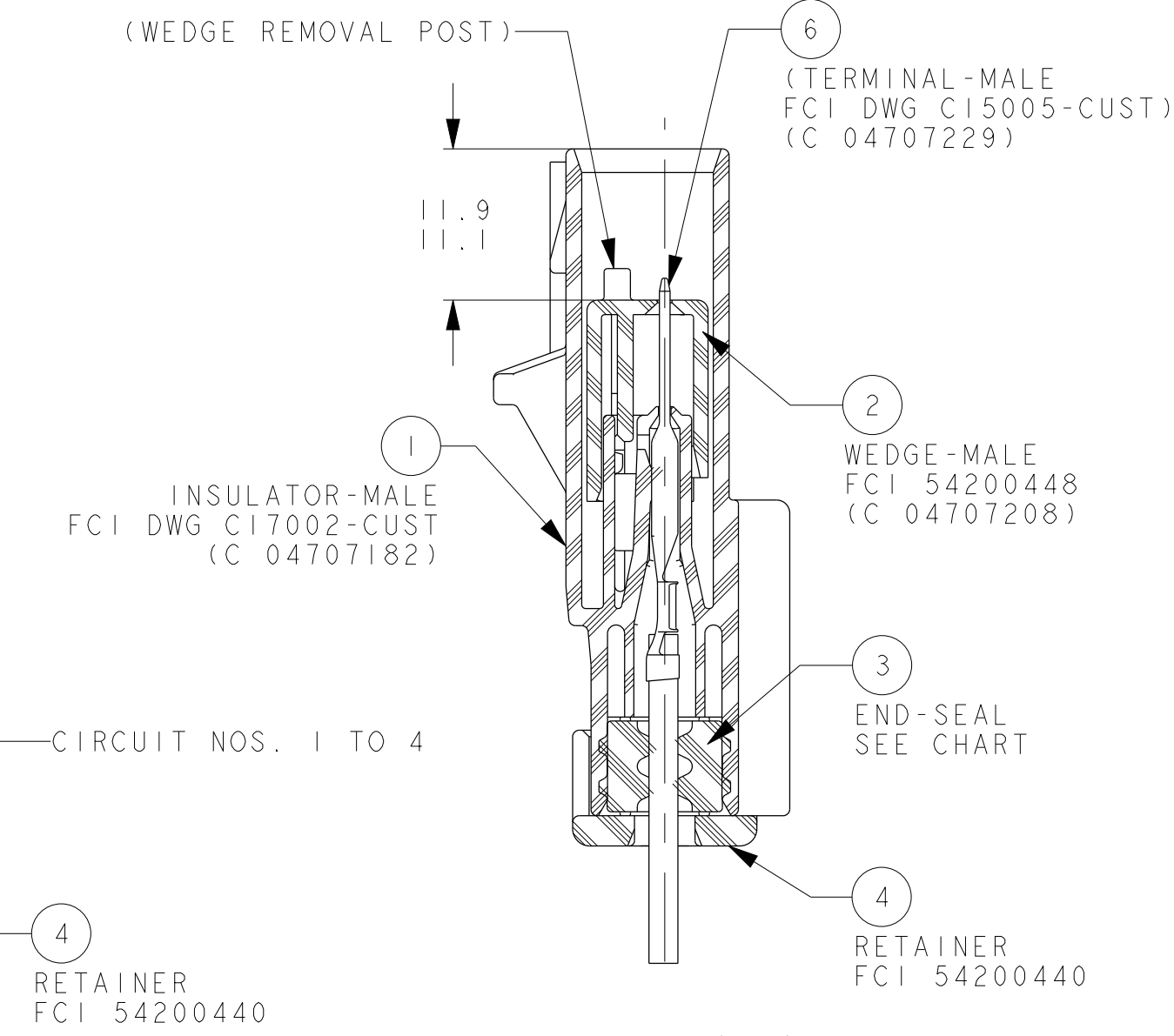
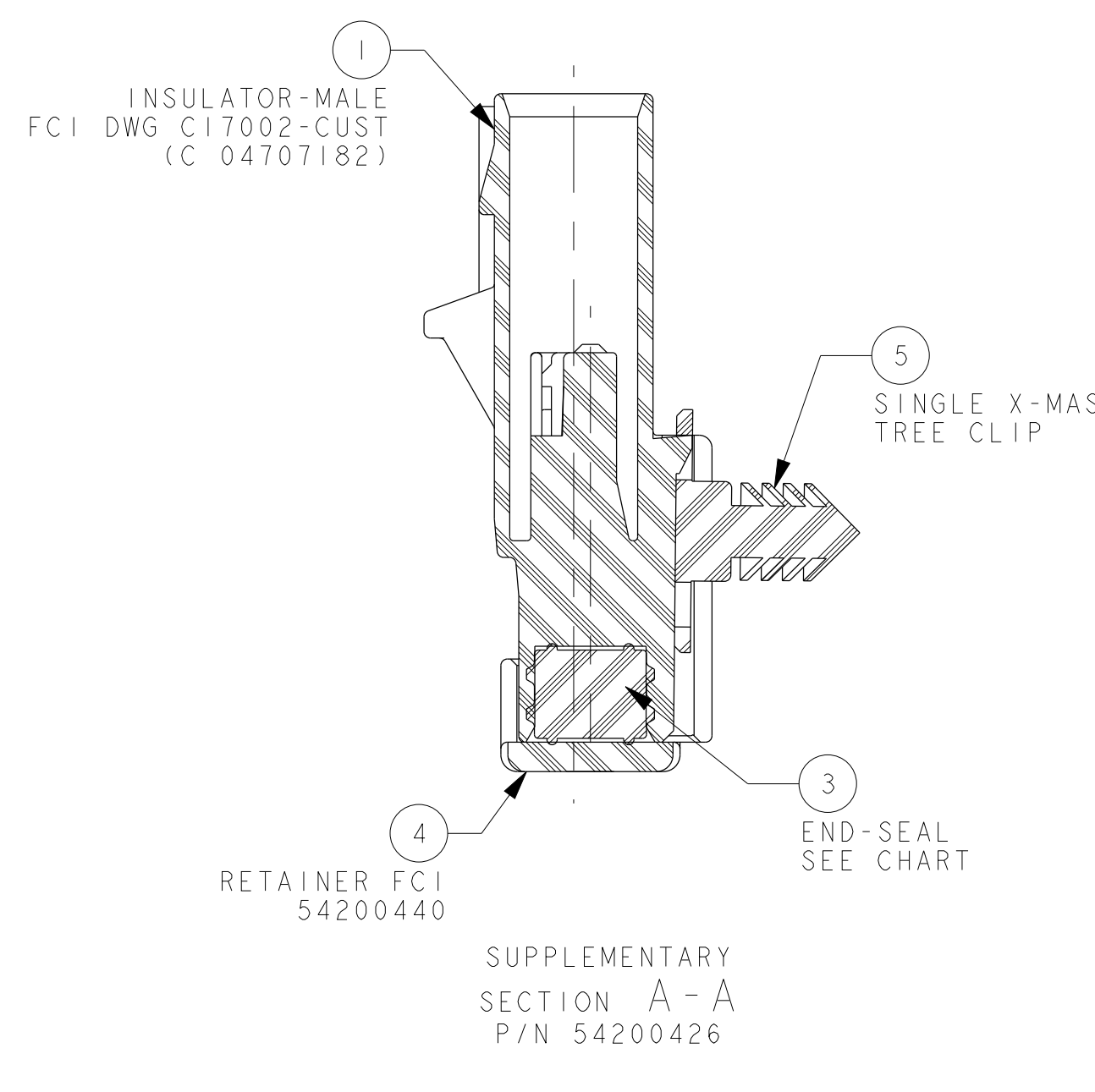
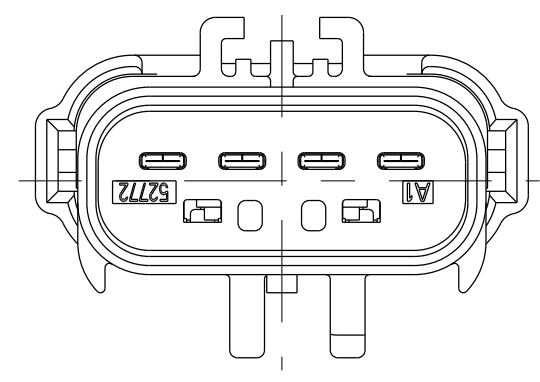


LAST 5 DIGITS OF 8 DIGIT P/N & PART CHANGE LEVEL (PCL) OR LAST 6 DIGITS OF 10 DIGIT OR OF PDS P/N & PART CHANGE LEVEL (PCL)  
MFG. DAILY DATE CODE & ASSY MACHINE NO. LETTERING MUST BE LEGIBLE

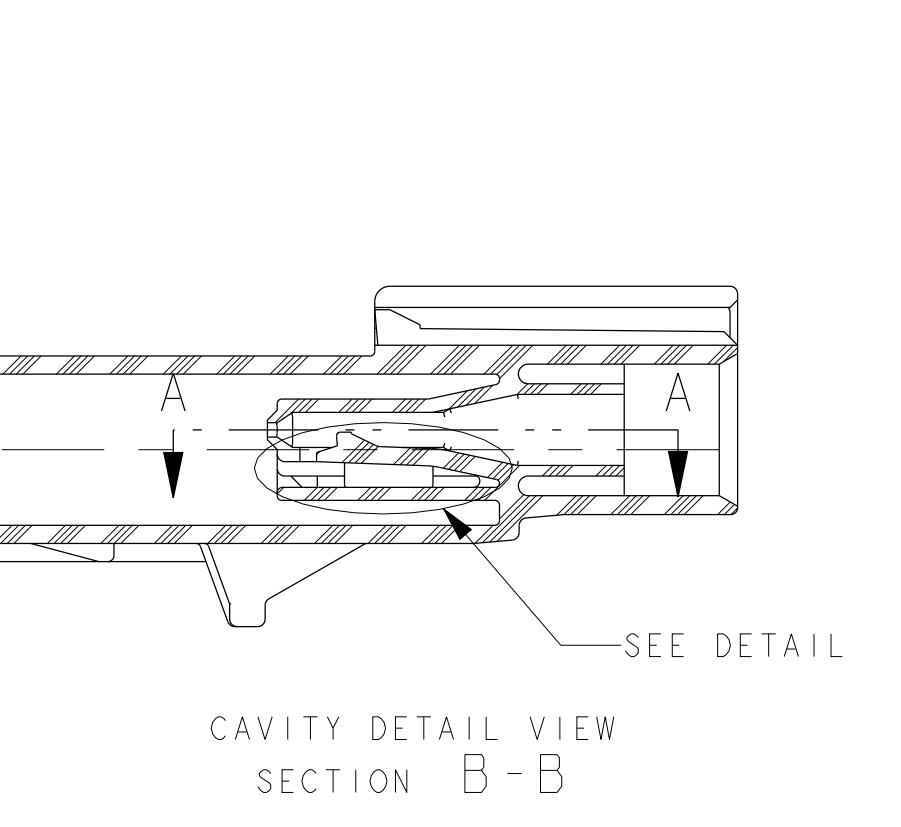
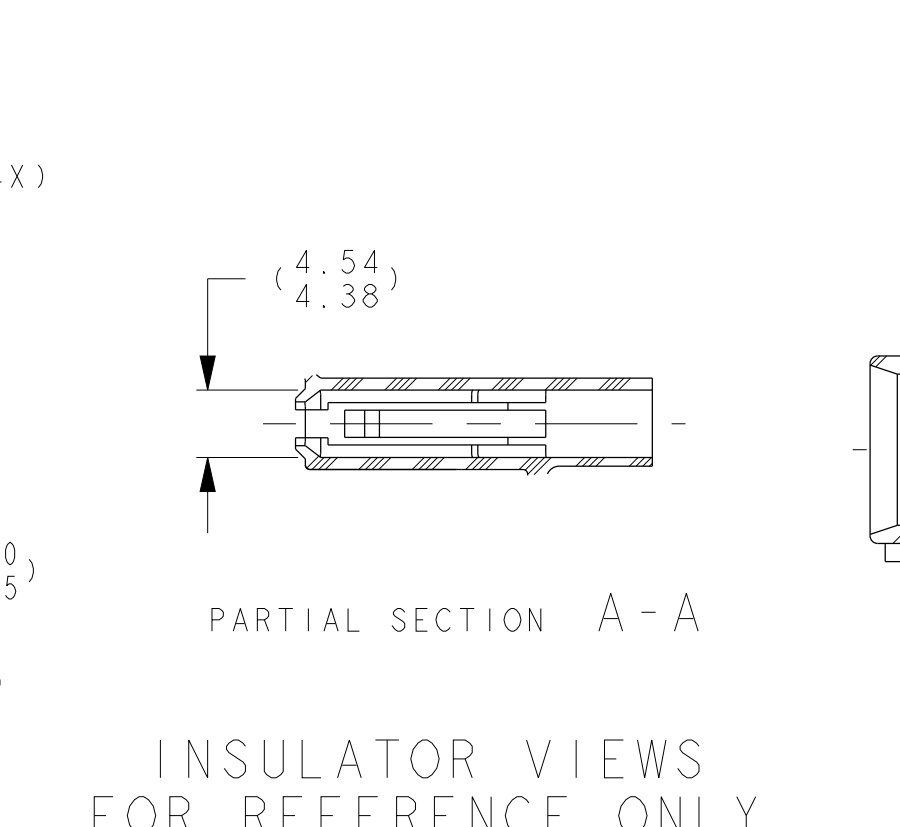
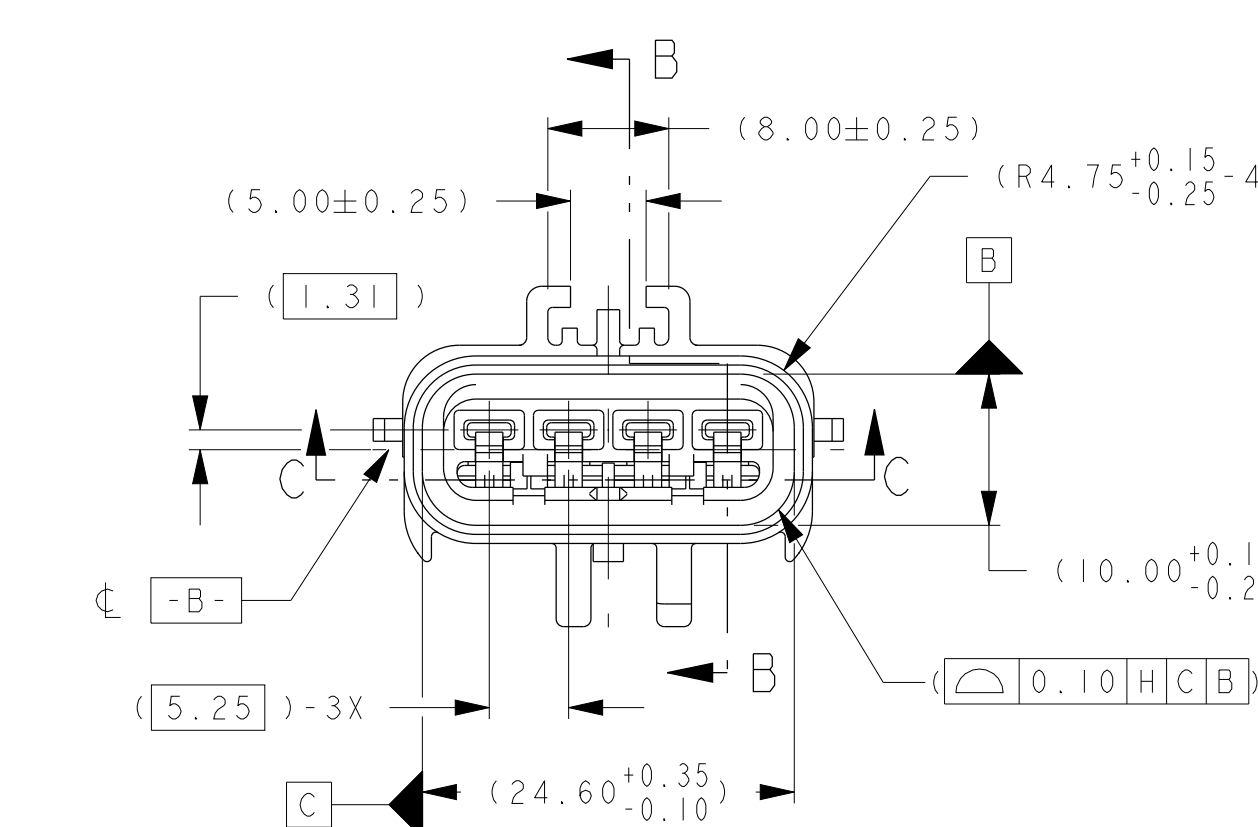
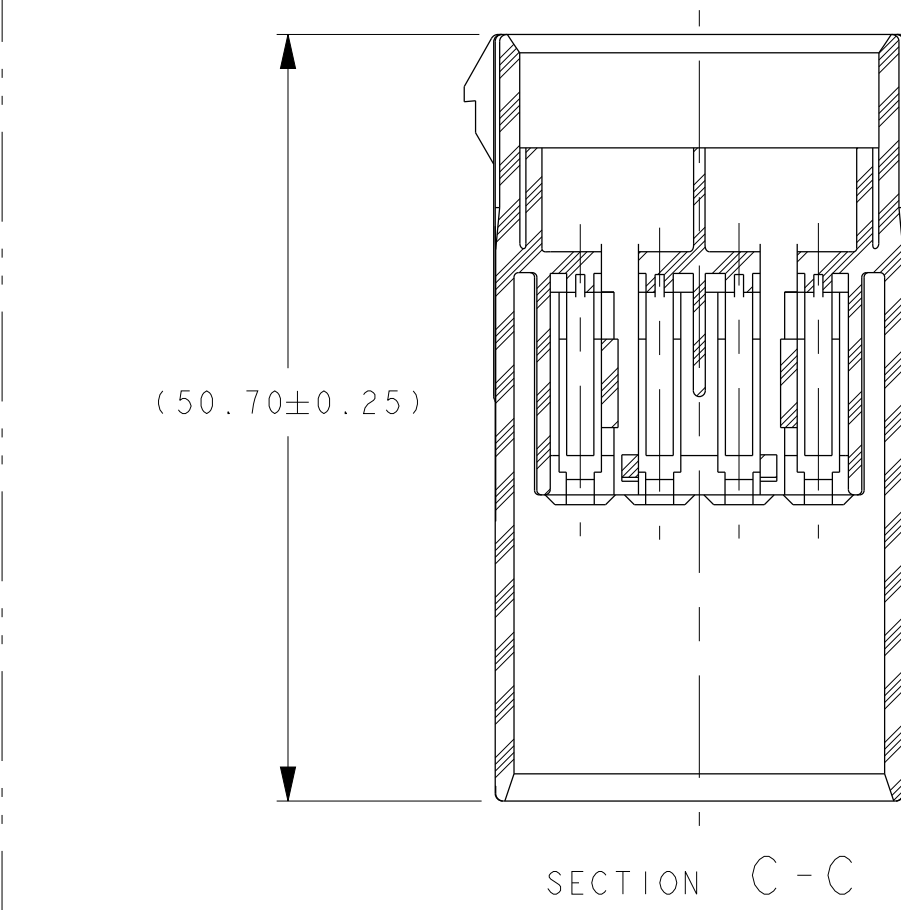
OPTIONAL

XXXXXX  
DDYY-XX

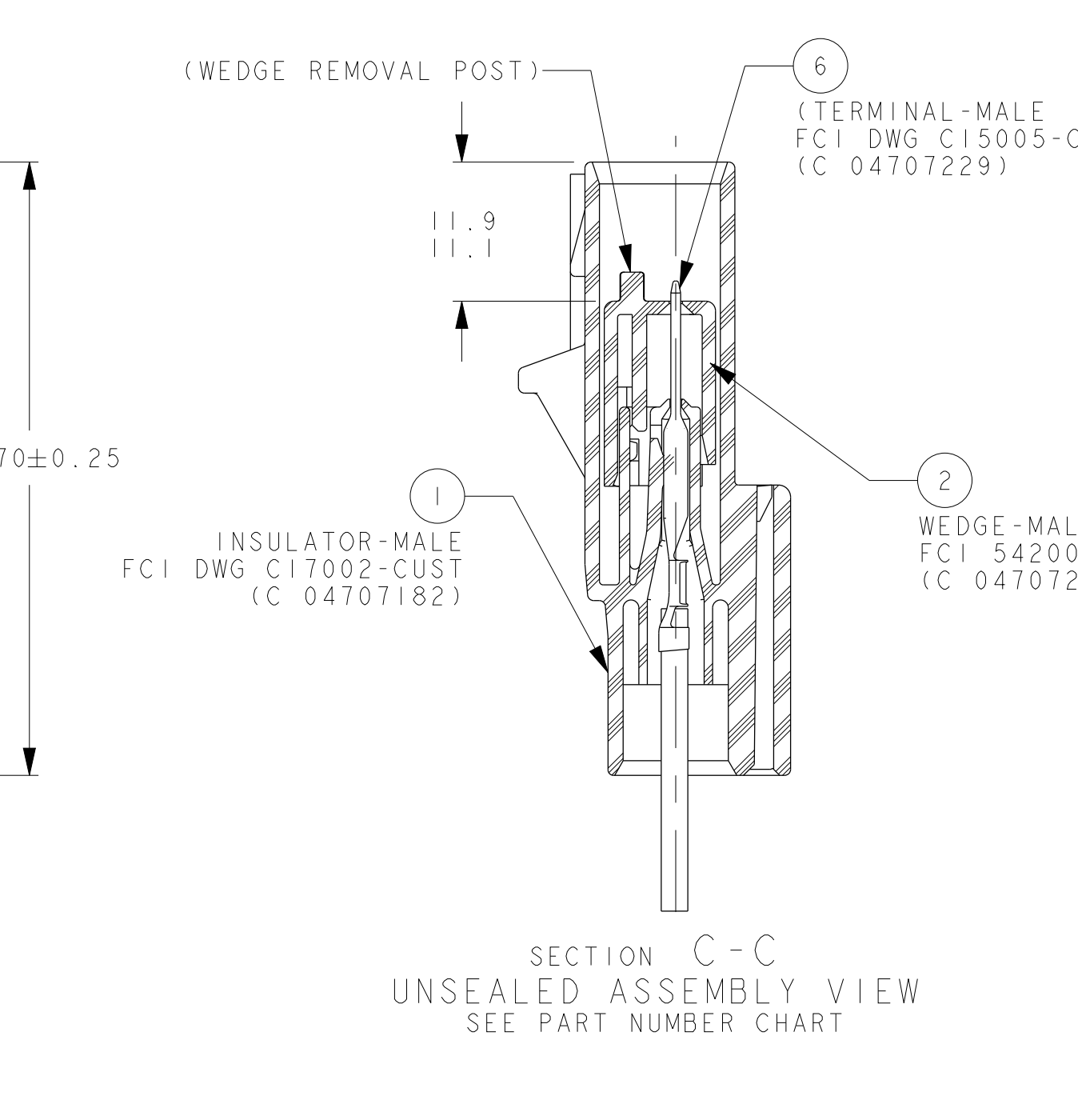
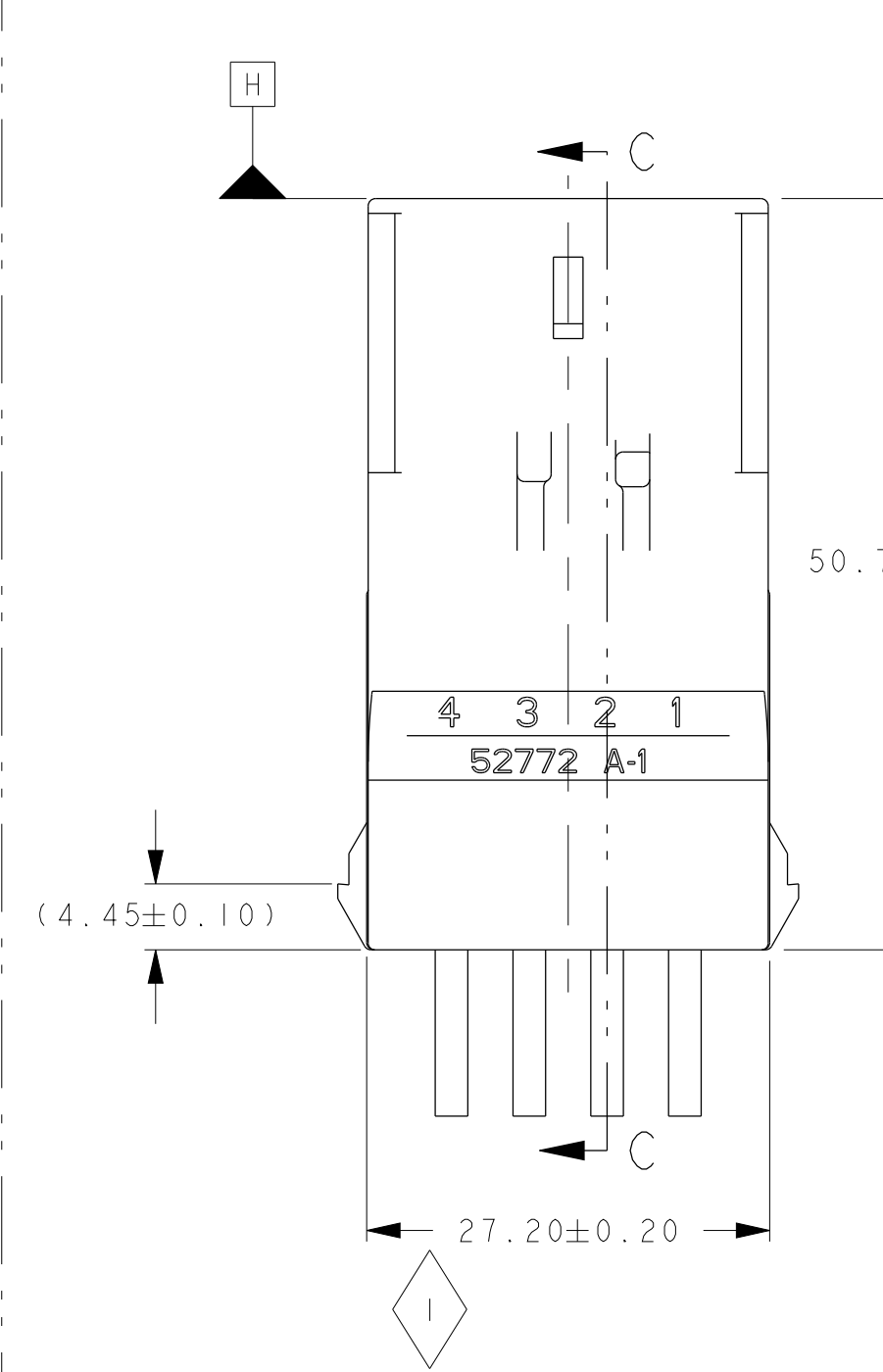
PARTIAL VIEW X



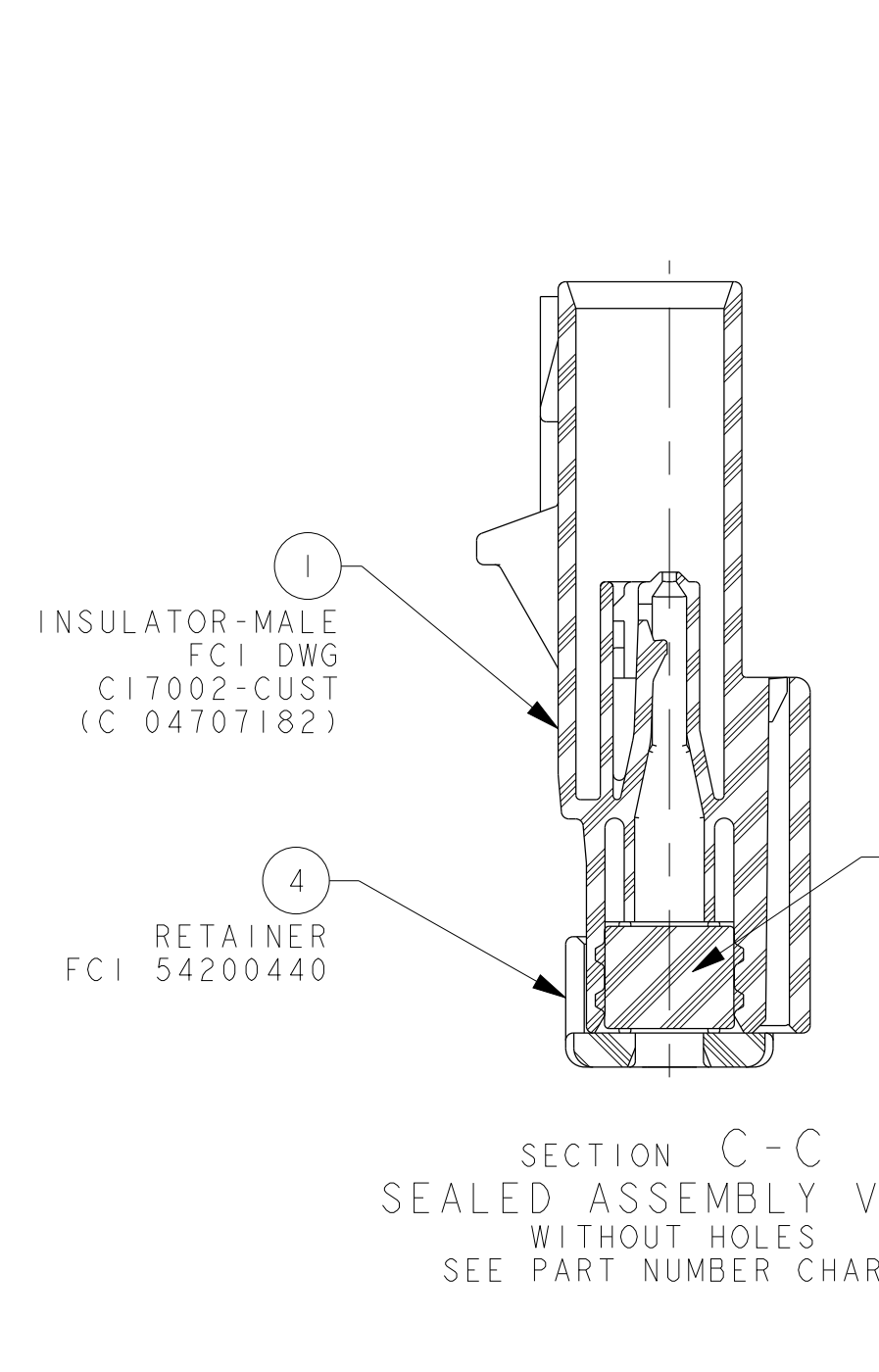
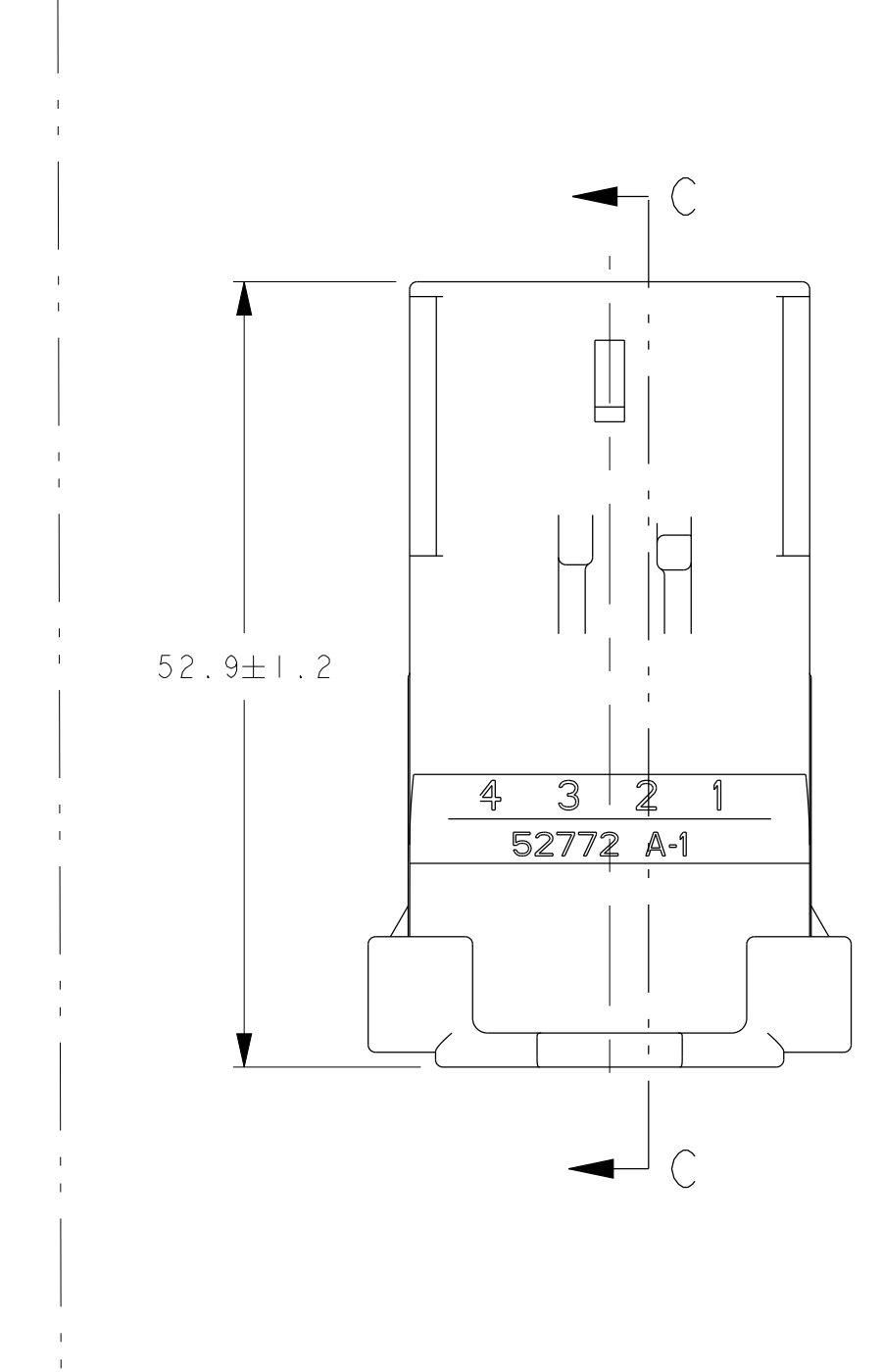
SECTION A-A UNSEALED ASSEMBLY VIEW SEE PART NUMBER CHART



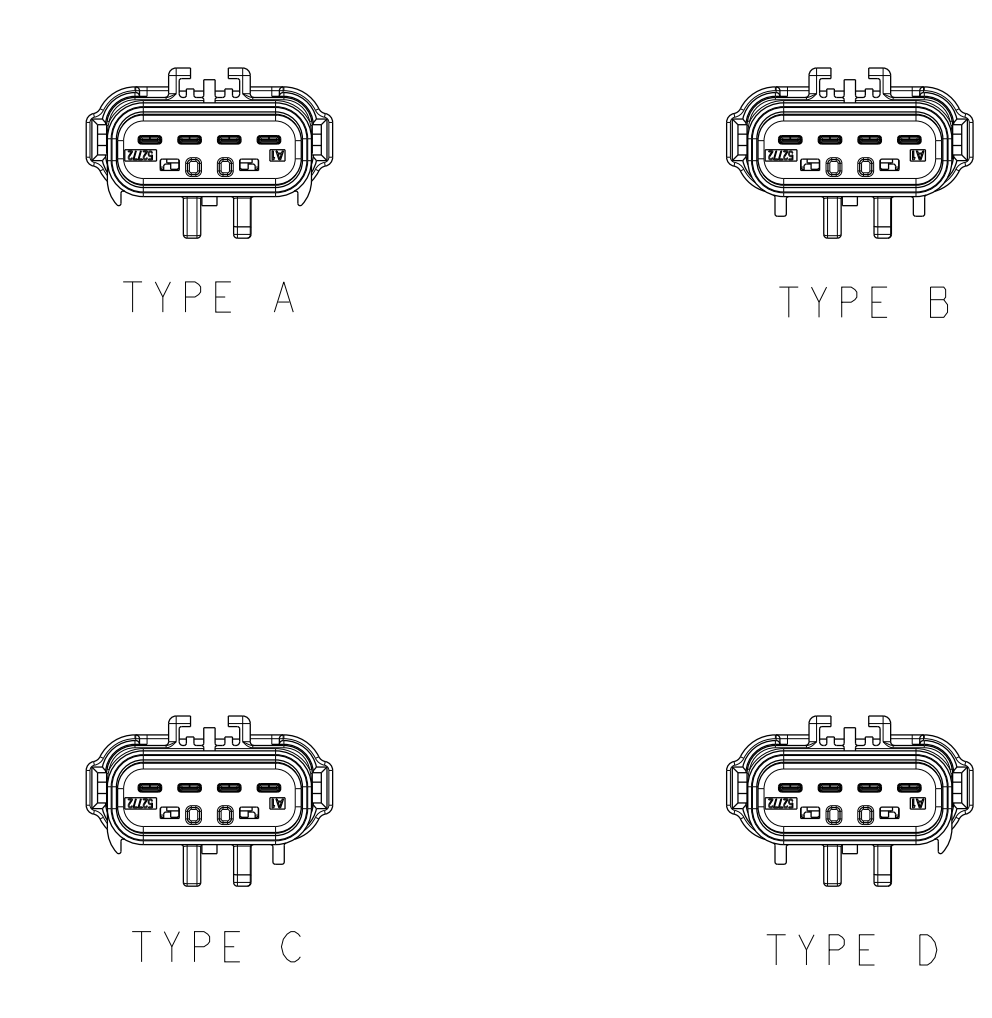
INSULATOR VIEWS FOR REFERENCE ONLY



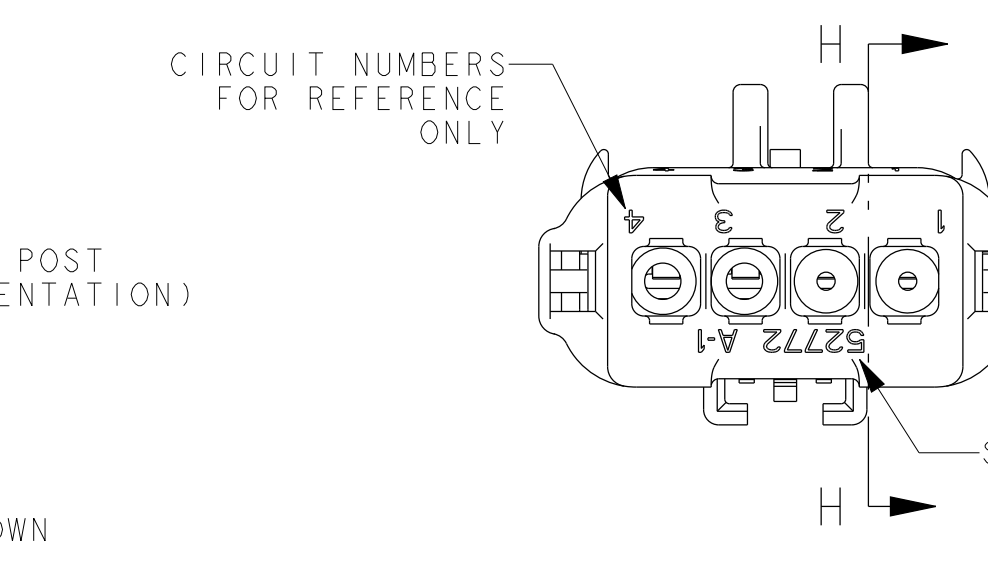
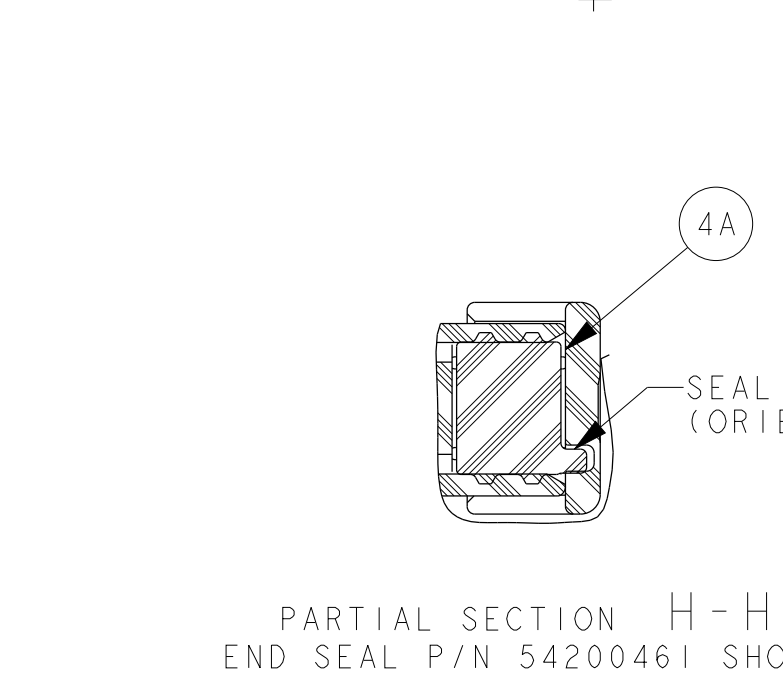
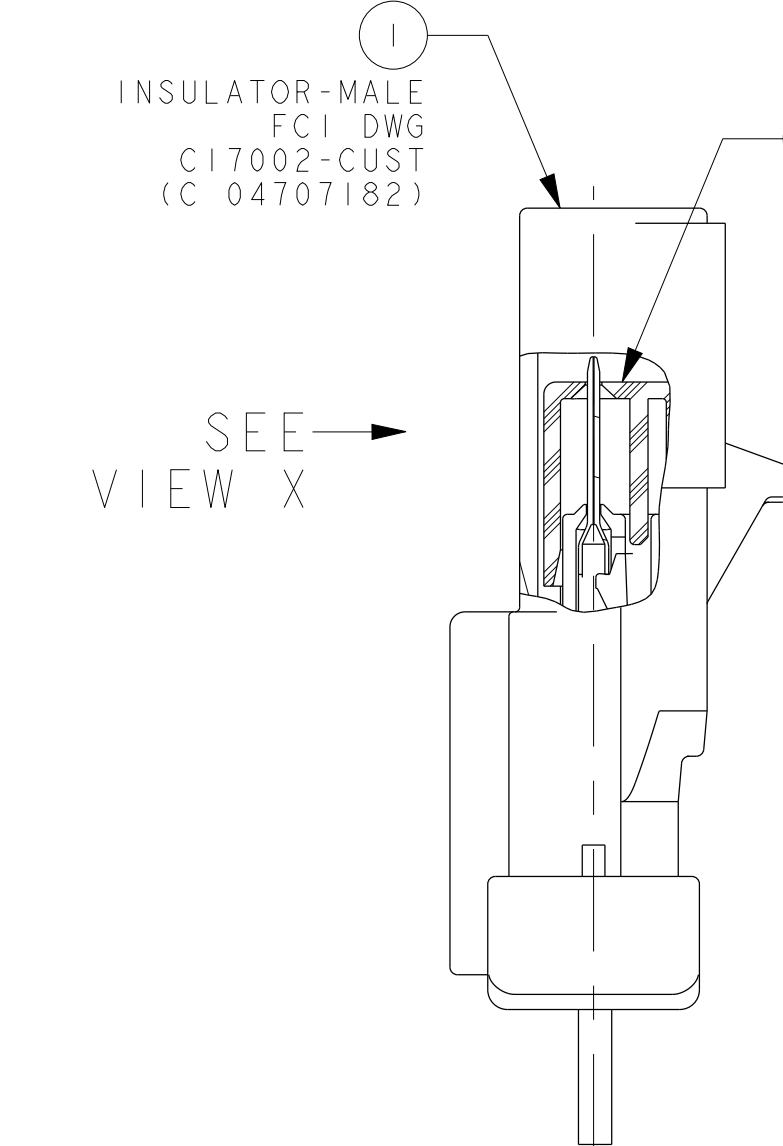
SECTION C-C UNSEALED ASSEMBLY VIEW SEE PART NUMBER CHART



SECTION C-C SEALED ASSEMBLY VIEW WITHOUT HOLES SEE PART NUMBER CHART

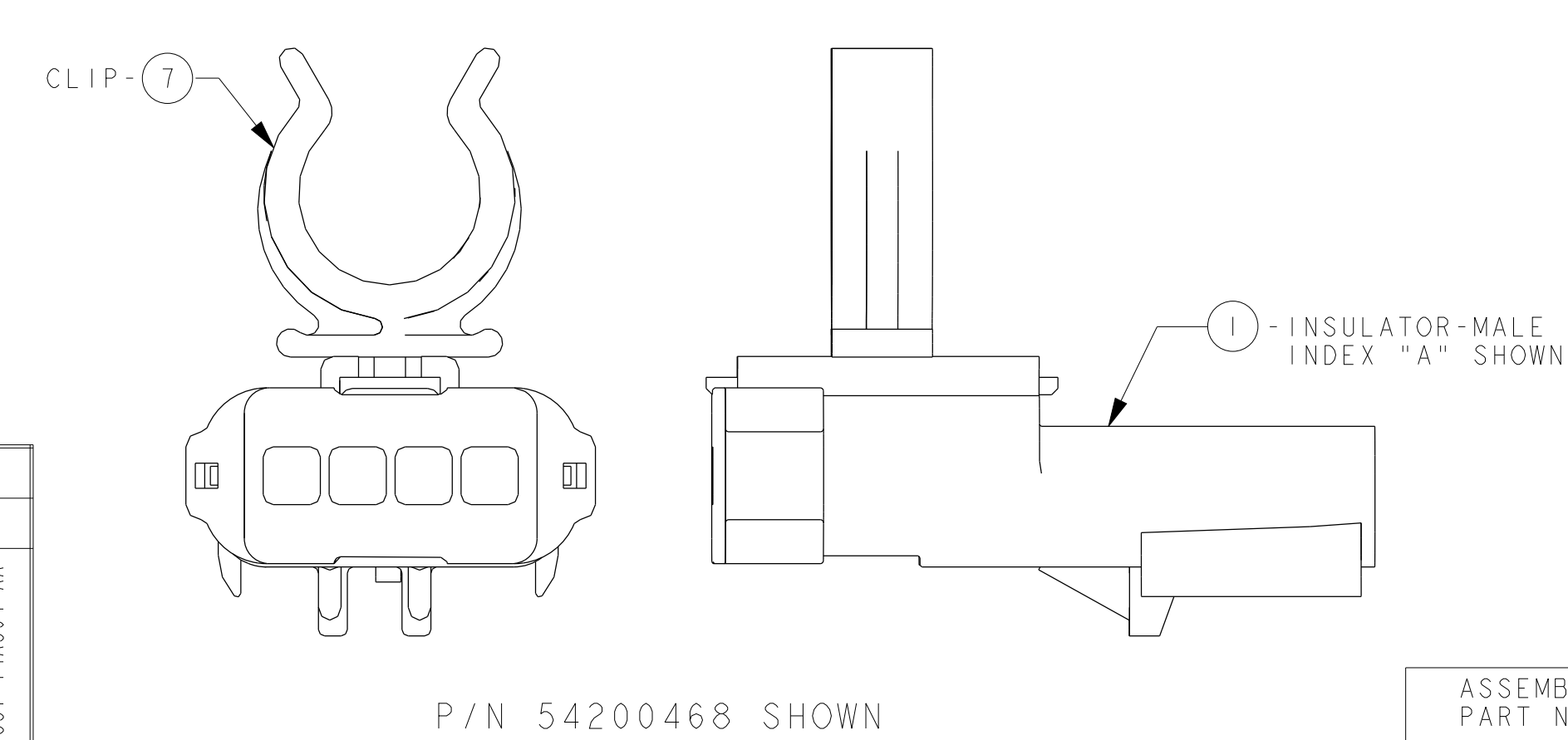


POLARIZATION OPTIONS FULL SIZE



MATING PART NUMBER CHART								
D	NATURAL	UNSEALED	54200424, 54200408	N/A	54200404N	N/A		
D	NATURAL	UNSEALED	54200424, 54200408	C 56042179, 56038055	54200404	C 56038053		
		SEALED	54200416	N/A	54200412N	N/A		
G	BLACK	SEALED	54200416	C 04707380	54200412	C 04707264		
		SEALED	F225600	N/A	F915600	N/A		
C	DK GREY	UNSEALED	54200407	N/A	54200403N	N/A		
		UNSEALED	54200407	C 56038194	54200403	C 56038193		
		SEALED	54200415	N/A	54200411N	N/A		
		SEALED	54200415	C 04707379	54200411	C 04707263		
F	BLACK	SEALED	55200429	N/A	55200428	N/A		
		SEALED	F125600	N/A	F815600	N/A		
B	LT GREY	UNSEALED	54200418, 54200419, 54200406	C 04495870, 04661922, 04707209	54200402N	C 04688849		
		SEALED	DIRECT CONNECT APPLICATION		54200450N	N/A		
		SEALED	DIRECT CONNECT APPLICATION		54200450	C 04707510		
		SEALED	54200417	C 04707209	54200447N	C 04801217AA		
		SEALED	DIRECT CONNECT INDEX B		54200422N	N/A		
		SEALED	DIRECT CONNECT INDEX B		LH FUEL PUMP	54200422	C 04759394AA	
		SEALED	54200414, 54200418, 54200419, 54200417	N/A	54200410N	N/A		
		SEALED	F291210	F DUST-14A594-AA	54200410	F 4L3T-14A464-AA		
		SEALED	DIRECT CONNECT APPLICATION		F 4L3T-14A464-AA	N/A		
		SEALED	54200414, 54200418, 54200419, 54200417	C 04707267, 04495870, C 04661922, 04707209	54200410	C 04707256		
A	BLACK	SEALED	F598500, F760600	N/A	54200495	N/A		
		SEALED	54200420, F598500	N/A	54200480N	N/A		
		SEALED	DIRECT CONNECT APPLICATION		54200495	F AUST-14A464-HAA		
		SEALED	54200420, F598500	LOW PERM HDR	54200480	C 04759900AA		
		SEALED	F025600	N/A	F715600	N/A		
		UNSEALED	54200405	N/A	54200400N	N/A		
		UNSEALED	54200405	C 56038054	54200400	C 56038052		
		UNSEALED	54200423	C 56042178	N/A	INDEX A		
		SEALED	F100010 / DIR. CONN. APPL.	F333900	N/A	INDEX A		
		SEALED	F860600 / DIR. CONN. APPL.	N/A	54200467N	N/A		
A	BLACK	SEALED	F860600 / DIR. CONN. APPL.	SOLID STATE RELAY	54200467	C 04868299AA		
		SEALED	54200413, 54200426	N/A	54200409N	N/A		
		SEALED	54200413, 54200426	C 04707266, 04759236	54200409	C 04707262		
		SEALED	54200425	N/A	54200421N	N/A		
		SEALED	54200425	C 04759253	54200421	C 04759251		
		SEALED	F498500	N/A	F398500	N/A		
		SEALED	54200426, 54200427, 54200468	C 04759236, 56042441, 04759236AB	INDEX A	INDEX A		
		SEALED	55200446	N/A	55200445	N/A		
		INDEX TYPE	SEALED/UNSEALED	FCI	CUSTOMER	FCI	CUSTOMER	

CUSTOMER P/N'S	ASSEMBLY PART NUMBERS																	
	UNSEALED					SEALED												
C 56038054	C 5604217B	N/A	C 56038194	C 56038055	C 56042179	C 04707266	C 04707267	C 04707379	C 04707380	N/A	N/A	N/A	N/A	C 04759236	C 56042441	C 04759236AB	F DUST-14A594-AA	
FCI P/N'S	54200405	54200423	54200406	54200407	54200408	56042424	54200413	54200415	54200416	54200425	F100010	F860600	F760600	F598500	54200426	54200427	54200468	F291210



P/N 54200468 SHOWN

ITEM #	CUSTOMER P/N	FCI P/N	COLOR	PART NAME (MATERIAL)	INDEX	TEMP CLASS 3				TEMP CLASS 4				
						REQUIRED	REQUIRED	REQUIRED	REQUIRED	REQUIRED	REQUIRED	REQUIRED	REQUIRED	
1	C 04707204	54200436	BLK	INSULATOR-MALE (PA66 GF)	A	55200441	BLACK	I						
1	C 04707205	54200437	LT GRY	INSULATOR-MALE (PA66 GF)	B	F625600	BLACK	I						
1	C 04707206	54200438	DK GRY	INSULATOR-MALE (PA66 GF)	C	F725600	BLACK	I						
1	C 04707207	54200439	NAT	INSULATOR-MALE (PA66 GF)	D	F825600	BLACK	I						
2	C 04707208	54200448	RED	WEDGE-MALE (PA66 GF)		55200449	NAT	I	I	I	I			
3	N/A	54200428	LT BLUE	END SEAL (SILICONE)		55200439	DK BLUE	I	I	I	I			
3	N/A	54200429	BURNT ORANGE	END SEAL (SILICONE)										
3	N/A	54200469	LT GREY	END SEAL-HYBRID (SILICONE)										
3	N/A	54200461	BRT RED	END SEAL-HYBRID (SILICONE)										
3	N/A	54200458	YELLOW	END SEAL-W/O HOLES (SILICONE)										
4	N/A	54200440	BLK	RETAINER (PA66 GF)		55200438	NAT	I	I	I	I			
5	C 04625797	ITW DELTA 15-002775	BLK	SINGLE X-MAS TREE CLIP (PA66)										
7	N/A	ITW DELTA 15-003260	BLK	AC LINK 5/8 CLIP										

CONNECTOR ASSEMBLY TEMPERATURE CLASS PER SAE/JUSCAR-2 REV.5  
PART CHANGE LEVEL (PCL)  
WIRE GAGE: 22, 20, 18, 16, 14, 12 OR 10  
NO WIRES USED AS A PLUG  
WIRE GAGE: 20 TO 14  
SEALS BAKED AT 450°F FOR 5 HOURS DURING CONTINUOUSLY INTRODUCED FRESH AIR TO DRIVE OFF VOLATILES  
FORD PART NUMBERS ARE LISTED FOR REFERENCE P/PAP'D PER FORD DRAWING DUST-14A594-AA

- NOTES:
- QUALITY ASSURANCE REQUIREMENTS PER CHRYSLER PS-7300: 1
  - ENGINEERING APPROVAL OF SUPPLIER SAMPLES IS REQUIRED PRIOR TO AUTHORIZATION OF PART PRODUCTION
  - CHANGES IN DESIGN COMPOSITION OR PROCESSING FROM THE PART PREVIOUSLY APPROVED FOR PART PRODUCTION REQUIRES PRIOR ENGINEERING APPROVAL
  - WIRING FABRICATORS MUST PURCHASE FROM SOURCES SHOWN
  - ALL THE SEALED CONNECTOR APPLICATIONS MUST BE USED WITH CHRYSLER WIRE SPEC MS-8288 OR MS-9502 THIN WALL X-LINK 20, 18, 16, 14, 12 & 10 GAGE WIRES ONLY UNLESS OTHERWISE SPECIFIED SEE CHART (WIRE INSULATIONS Ø1.0 MIN TO Ø4.09 MAX)
  - ALL NON-SEALED APPLICATIONS MAY BE USED WITH ANY WIRE INSULATION 22 GAGE THRU 10 GAGE (EXCEPT AS NOTED) PROVIDING THAT A TERMINAL GRIP FOR THAT CORE/INSULATION COMBINATION IS SHOWN ON THE MALE TERMINAL DRAWING
    - MAX. INSULATION CRIMP WIDTH = 4.50
    - MAX. INSULATION CRIMP HEIGHT = 4.50
    - MAX. INSULATION CRIMP DIA. = 4.09 (10 GA THIN WALL)
  - USE WITH CAVITY PLUG FCI P/N 54200005, (CHRYSLER P/N 56038308) WHEN REQ'D USE WITH DOUBLE X-MAS TREE CLIP FCI P/N 54200010 WITH FORWARD STOP WHEN REQ'D USE WITH DOUBLE X-MAS TREE CLIP CHRYSLER P/N 04707091 WHEN REQUIRED USE WITH SINGLE X-MAS TREE CLIP CHRYSLER P/N 04825797 WHEN REQUIRED USE WITH 2.80MM APEX MALE TERM PER C15005-CUST SYM ABOUT CENTERLINE FOR 180° ORIENTATION
  - DIRECT CONNECT DRAWING NO. G36004 (CHRYSLER 04707185)
  - TEST METHOD PER PERFORMANCE SPEC SAE/JUSCAR-2 REV.5, CONNECTOR ENGAGE & DISENGAGE WITH FEMALE LATCH DEPRESSED FORCE NOT TO EXCEED 75N FOR THIS SYSTEM
  - WEDGE SEATING FORCES - 100N MAX
  - X-MAS TREE CLIP INSERTION FORCES - 75N MAX
  - SUPPLIER, MOLD & CAVITY I.D. SIGNIFIES TOOL OWNERSHIP, FOR REFERENCE
  - ANNUAL QUALITY REQUIREMENTS: IT IS PERMISSIBLE TO PERFORM CONTINUOUS CONFORMANCE PER FCI SPECIFICATION #A0A-001 INSTEAD OF ANNUAL LAYOUT & ANNUAL PV REQUIREMENTS OF OS-9000 SECTION 2 & SAE/JUSCAR-2 REV.5
  - ALL NON-REFERENCE DIMENSIONS ARE REQUIRED
    - USE INDEX A, BLACK SEALED AND UNSEALED FOR ALL AFFECTED INSULATOR CAVITIES
    - CURRENT PRODUCTION TOOLING
    - POINT OF LAST RUN
  - SERVICE TOOLING GUIDE INFORMATION PER APEX TRAINING MANUAL MUST CONFORM TO THE FOLLOWING CHRYSLER/YNA STANDARDS:
  - SAE/JUSCAR-2 REV.5  
PS-7300 QUALITY ASSURANCE (CHRYSLER)  
MS-9502 SEAL APPL. 150° C  
MS-8288 SEAL APPL. 125° C  
PS-9227 DATA EXCHANGE (CHRYSLER), (GOC9-7 YNA)  
PS-10052 INFORMATION SECURITY (CHRYSLER)
  - THIS DRAWING (H59012) REPLACES CHRYSLER DRAWING NUMBER 04707265 LEVEL "P" CHRYSLER DRAWING IS FOR REFERENCE ONLY FOR PREVIOUS CHANGES
  - PARTS WITH BURNT ORANGE ENDOSEAL CAN BE USED WITH 12 GA OR 14 GA IN ANY ORDER OR COMBINATION OR W/THREE 12 GA AND ONE 18 OR 16 GA WIRE (ONE END)

11-00214	E14	MATERIAL PA66GF WAS NYLON 66 PLAN VIEW ADDED FOR CIRCUIT LOCATIONS ADDED P/N F291210 FOR FORD DELETE CAP PLUG APPLICATION POL TYPE B P/N DUST-14A594-AA
11784	ALL	REVISED AND REDRAWN IN PDS. P/N F100010 TEMP CLASS 3 ADDED W/END SEAL 54200461 12/10 GAGE FOR CIRCUITS 1 & 2
ENR-NO.	ZONE	CHANGE DESCRIPTION
REVISED BY	DATE	REASON
APR 2 8 2000		
DO NOT REUSE DRAWING	DATE	REASON
APR 2 8 2000		
DATE	NAME	TITLE
APR 2 8 2000		
DATE	NAME	TITLE
APR 2 8 2000		
DATE	NAME	TITLE
APR 2 8 2000		
DATE	NAME	TITLE
APR 2 8 2000		