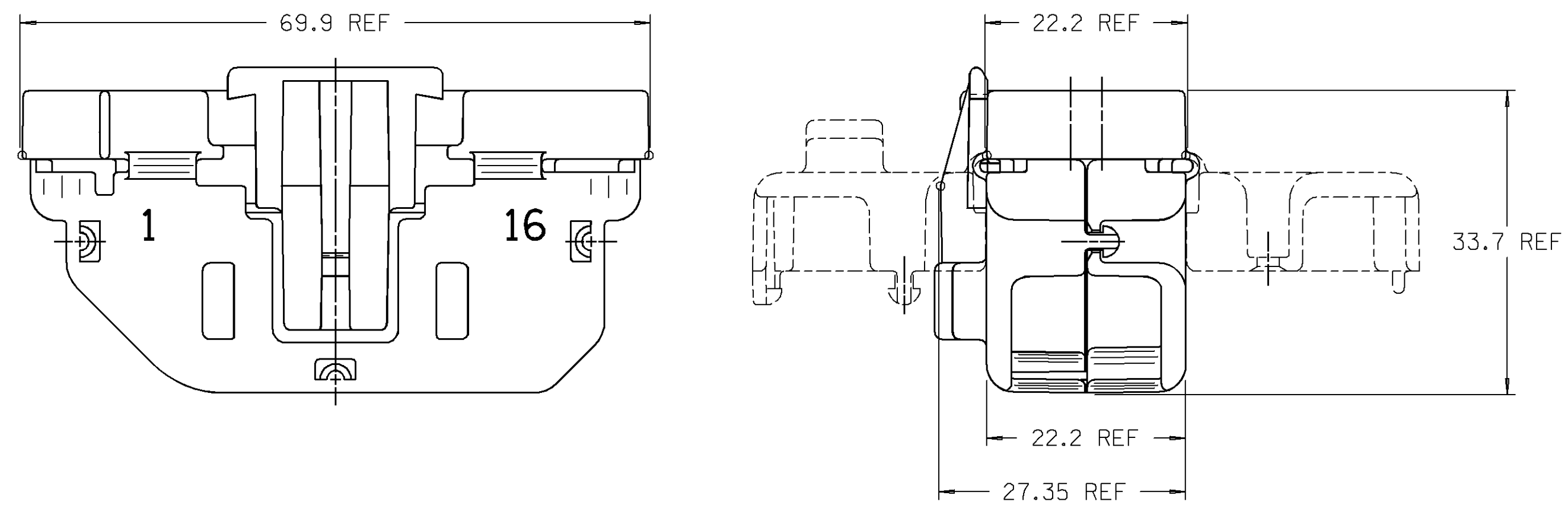
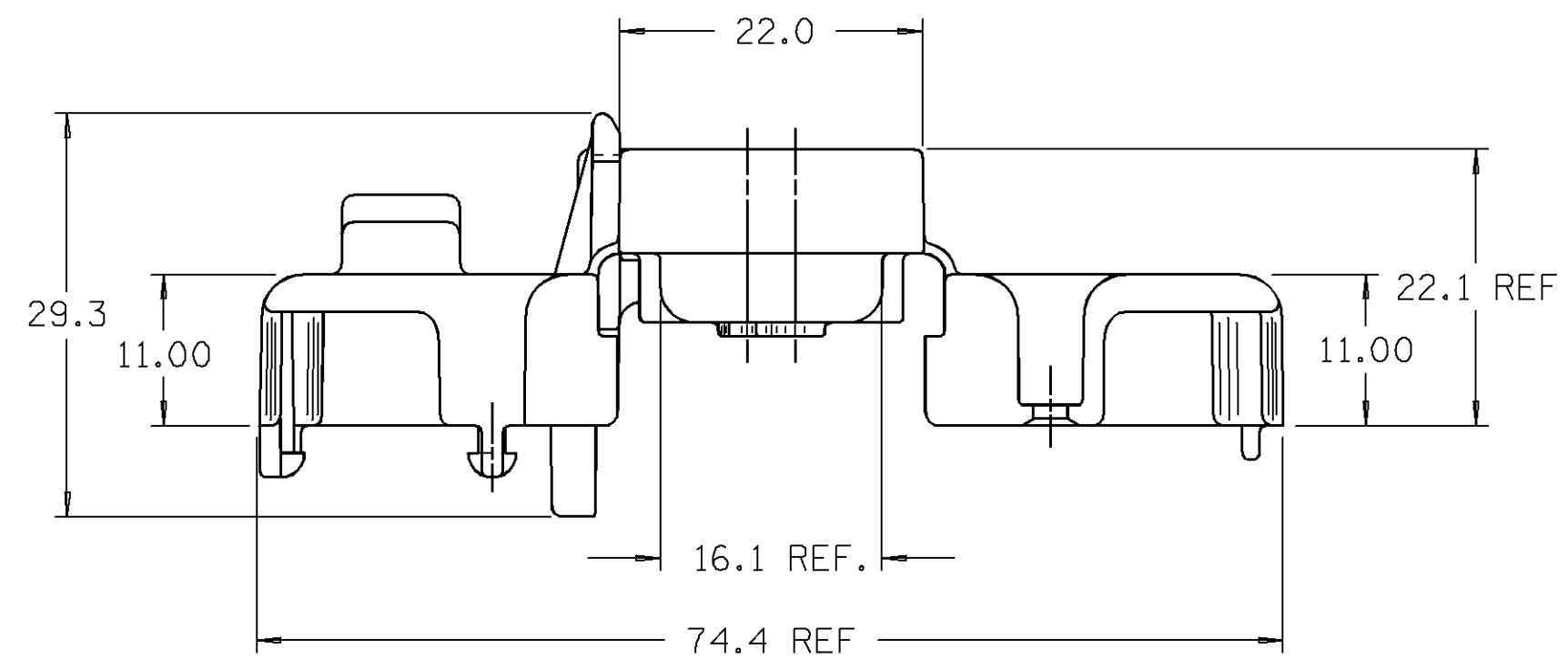
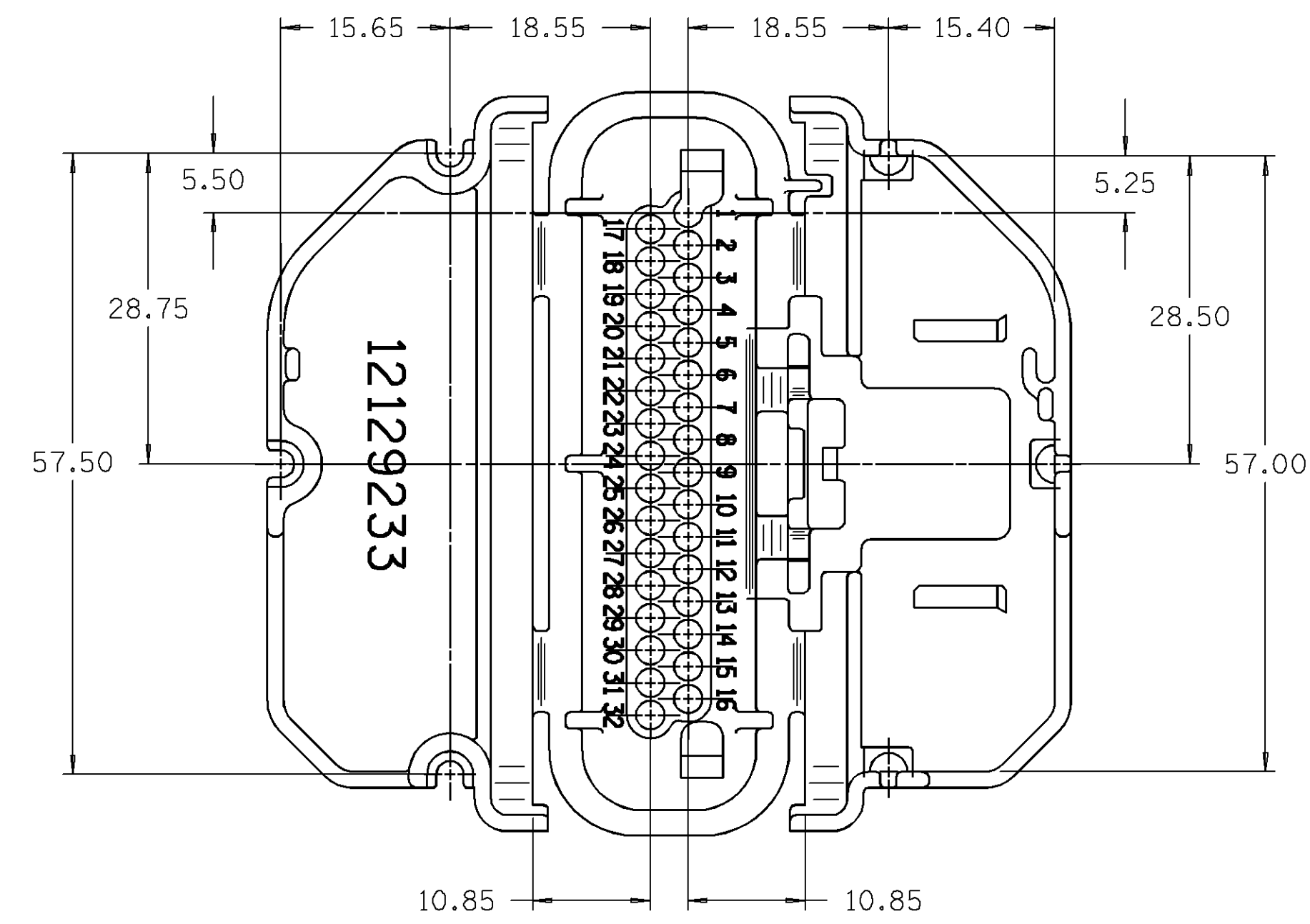
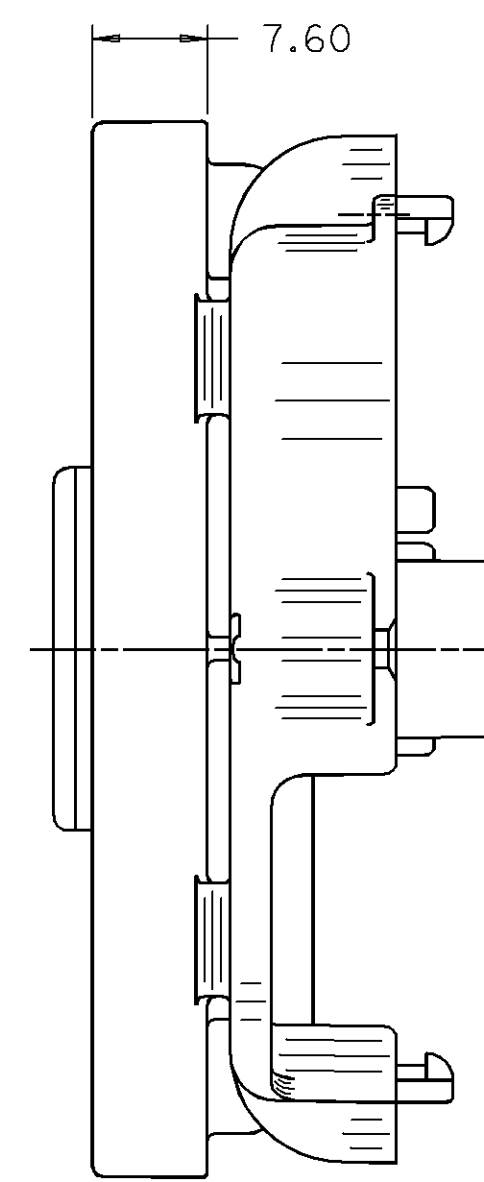
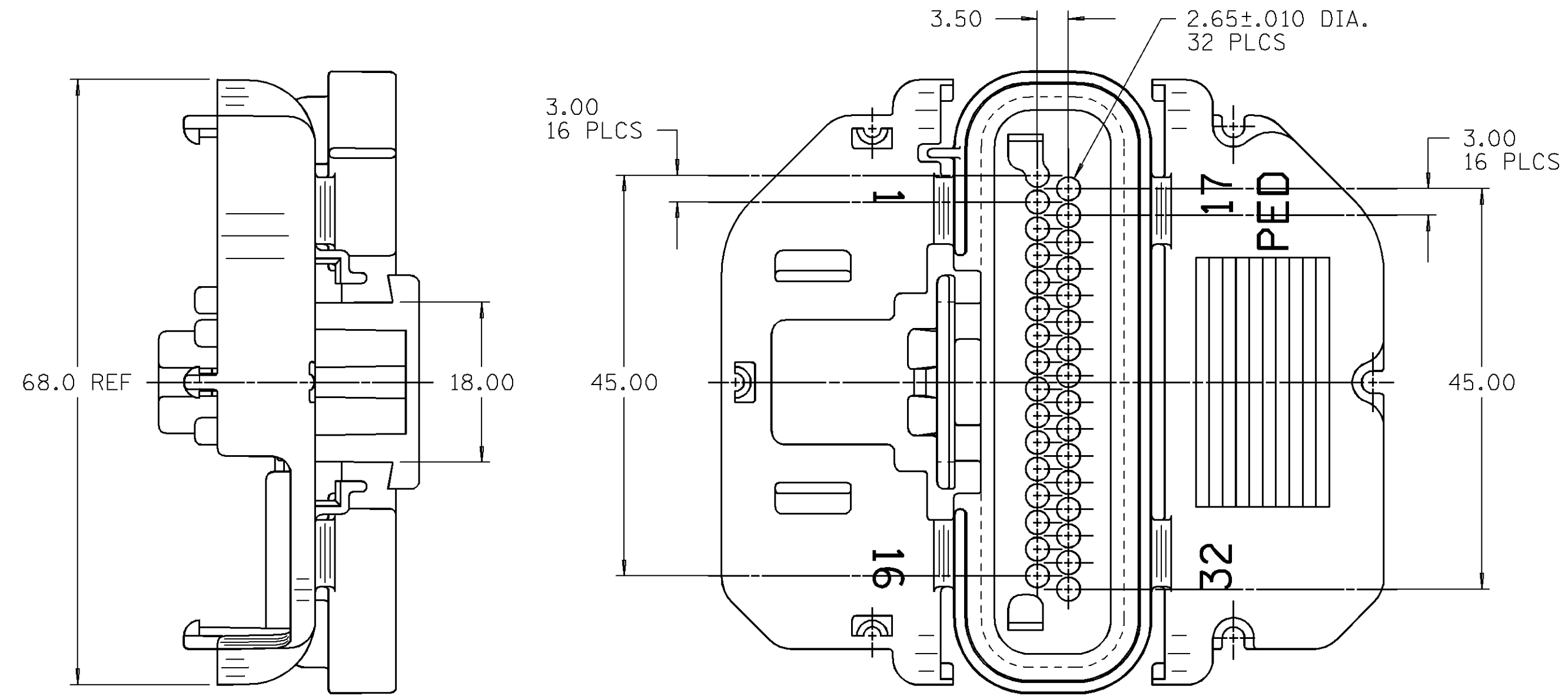


THIS DRAWING AND DESIGN HEREON CONSTITUTE A PROPRIETARY DESIGN OF PACKARD ELECTRIC DIVISION AND IS NOT TO BE DUPLICATED OR REPRODUCED WITHOUT AUTHORITY OF PACKARD ELECTRIC DIVISION.

DO NOT SCALE

PART NO. 1212 9233

PART NO. 1212 9233



STRAIN RELIEF SHOWN IN ASSEMBLED POSITION

- NOTES —
1. THIS PART ACCEPTS 12084912 TERMINAL OR EQUIVALENT.
 2. MATING FEMALE CONNECTOR 12129228 OR EQUIVALENT.
 3. THIS PART ACCEPTS 12129229 SEAL OR EQUIVALENT.
 4. THIS PART ACCEPTS C.P.A. 12110299 OR EQUIVALENT.
 5. THIS PART ALSO USED WITH RETAINER 12129231, CAVITY PLUG(S) 12129557 OR EQUIVALENTS.
 6. ENVIRONMENTAL SEAL CLASS CODE 3.
 7. MAX. INSULATION CRIMP MUST BE LESS THAN 2.45 HIGH AND 2.45 HIGH.
 8. THERE IS NO MATING HEADER CONNECTOR ASSEMBLY FOR THIS PART.
 9. CRIMP WING DIMENSIONS AFTER CRIMPING MAY NOT EXCEED 2.55 MM DIAMETER. MAX CABLE O.D. 2.24 MM. REFER TO ESA-605 FOR CRIMP DIMENSIONS.

DATE	SYM	REVISION RECORD	AUTHORITY	DR	CK
29AU91	B	RELEASED	910005	BPM	BPM
16OC91	C	REVISED & REDRAWN	144840	RLF	BKD
27MY92	D	REVISED GRAPHICS	148245	TMP	TMP
26MR93	E	REVISED GRAPHICS	154484	GC	GC
29OC93	E1	REVISED NOTES	157807	HH	HH
24OC08	E2	REVISED MATERIAL DESCRIPTION	406579	TD	GB

		FILE SPEC: ***USER*** DGN#SPECIFICATION***** *****SYTIME*****
THIRD ANGLE PROJECTION 		METRIC DIMENSIONS ARE IN MILLIMETERS UNLESS OTHERWISE SPECIFIED.
CODE NO. 6901	TOLERANCE UNLESS OTHERWISE SPECIFIED DECIMALS: ANGULAR ± 2° ONE PLACE ± 0.3 TWO PLACE ± 0.15	
Q.C. DWG. DATE 09AU91	SCALE NONE	DR. BRIAN MADISON 29AU91
EST. NO. 12129233 "R" SIZE	CK. CHRIS REIDER APPR. R.J. POLEHONKI	DATE 300C91 DATE 300C91
MATERIAL SPEC. PLASTIC TPE COMPOUND BLACK		
NAME STRAIN RLF 32F MIC/P 100W RH		
PART NO. 1212 9233		SIZE D