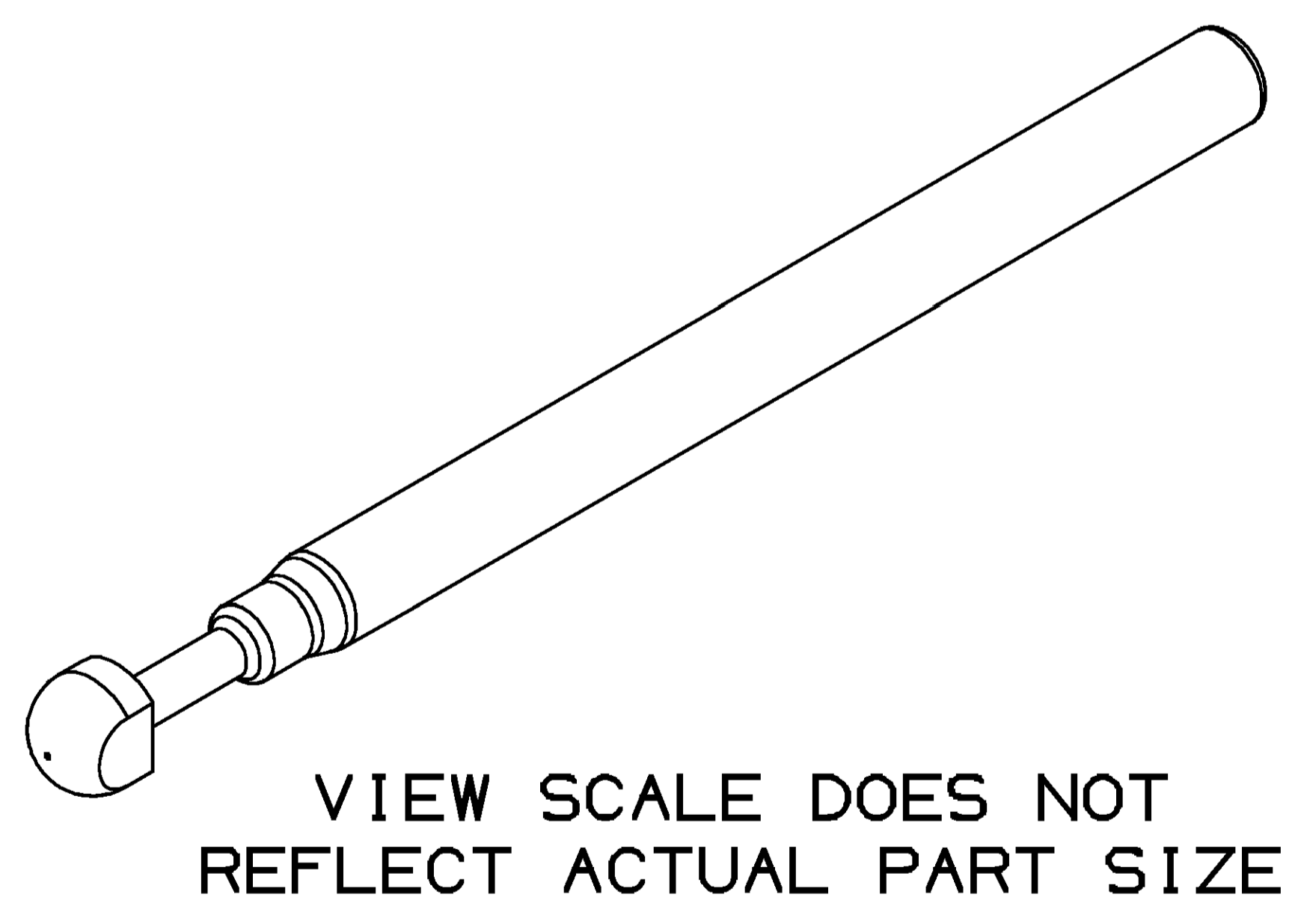
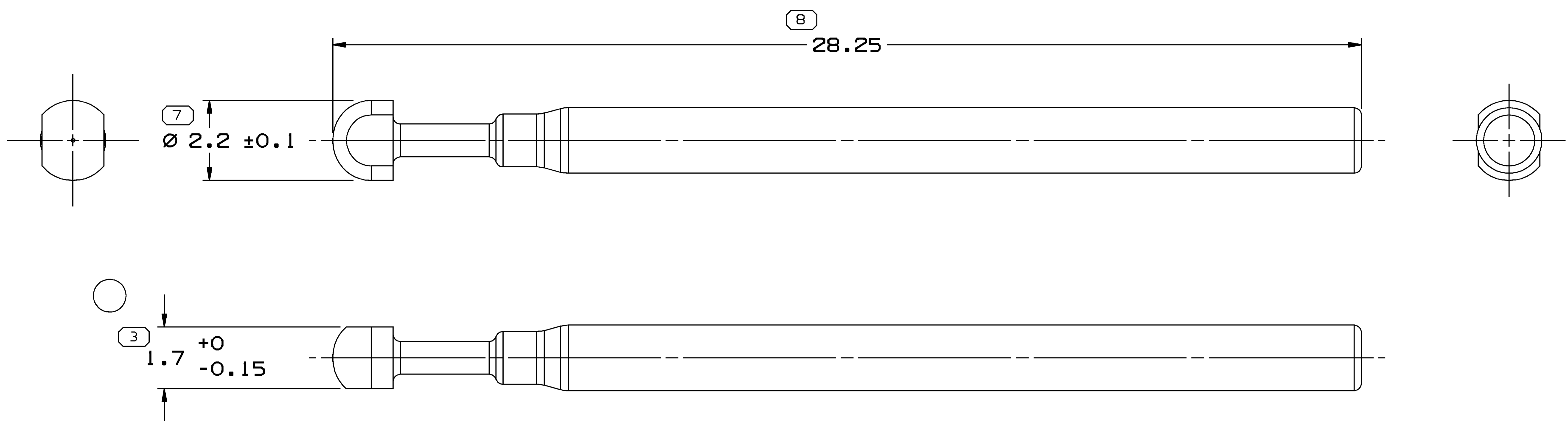


SYMBOL DEFINITION		
A DIMENSION WITHOUT AN INSPECTION REPORT SYMBOL DOES NOT REQUIRE INSPECTION. IT MAY BE CONTROLLED ON THE INDIVIDUAL COMPONENT DRAWING.	TOTAL NO OF INSPECTIONS REQUIRED	3
	LAST NO. USED	8

MISSING SYMBOLS	
1-2	4-6

DWG STATUS					ZONE	REVISION HISTORY				AUTH	DR	APVD 1	APVD 2
DATE	STG	REV	N/P	CHG									
260C04	R	01	-	-		CREATED PART DRAWING RELEASED - WAS PE129177				260601	LLJ	LLJ	MC
24FE05	R	02	-	-		28.25 WAS (27.5) AND REVISED PUSH END				265325	VEH	VEH	MEC
20FE06	R	02	AA	-		1.7+0-0.15 WAS 1.7				276631	TLD	TLD	MC



**NOTES**

- UNLESS OTHERWISE SPECIFIED AND/OR INDICATED:  
DIMENSIONS ARE TO FACE OF VIEW SHOWN AND AUTOMATICALLY ROUNDED BY COMPUTER FOR INSPECTION. (SEE MATH MODEL FOR PRECISE DIMENSIONS.) FOR ALL OTHER DIMENSIONS NOT SHOWN BUT REQUIRED FOR TOOL BUILD, SEE MATH MODEL FOR PRECISE TOOL PATH DATA.
- REFERENCE MATING COMPONENTS OR EQUIVALENT:  
CONNECTOR ASM 13509360

3 PROCESS SENSITIVE DIMENSION	
DIMENSIONS ENCLOSED IN ( ) INDICATE REFERENCE DIMENSIONS AND NO TOLERANCE LIMITS ARE ESTABLISHED	
DIMENSIONAL RANGE (MM)	CHART E
FROM TO	0 > 20 > 30 > 70 > 100
TOLERANCE UNLESS OTHERWISE SPECIFIED	±0.15   ±0.2   ±0.3   ±0.4   ±0.5
ANGULAR TOLERANCE ±2°	

DWG TYPE <b>PART DRAWING</b>	
STYLE	
VOLUME (CM³) 0.065	DISTR CODE D
UNLESS OTHERWISE SPECIFIED THIS DOCUMENT IS IN ACCORDANCE WITH ASME Y14.5M-1994 AS AMENDED BY THE 8M GLOBAL DIMENSIONING AND TOLERANCING ADDENDUM - 1997. ALL GEOMETRIC TOLERANCES AND RELATED DATUMS APPLY RFS. RULE #1 (PERFECT FORM AT MMC) DOES NOT APPLY WHEN RELATIONSHIP BETWEEN FEATURES IS ESTABLISHED BY ORIENTATION OR LOCATION TOLERANCES. SEPARATE POSITION CALLOUTS MAY BE GAGED SEPARATELY, REGARDLESS OF DATUM REFERENCE. ALL DIMENSIONS ARE IN MILLIMETERS	
REFERENCE	
THIRD ANGLE PROJECTION	DO NOT SCALE USE MATH DATA

<b>DELPHI</b>			
DELPHI PACKARD ELECTRIC SYSTEMS WARREN, OH			
DR		DATE	
APVD1	L. JONES	260C04	
APVD2	L. JONES	260C04	
APVD3	M. CONWAY	270C04	
APVD4			
APVD5			
SUBSTANCES OF CONCERN AND RECYCLED CONTENT PER DELPHI 10949001			
MATERIAL M2279002 PA66 GF14 HS IM NAT			
DRAWING NAME SEAL CBL 1W CAVITY PLUG NAT			
DRAWING NUMBER <b>13510403</b>			
SIZE A2	SCALE 10:1	FRAME NO 1 OF 1	SHEET NO 1 OF 1
STG R	REV 02	N/P AA	