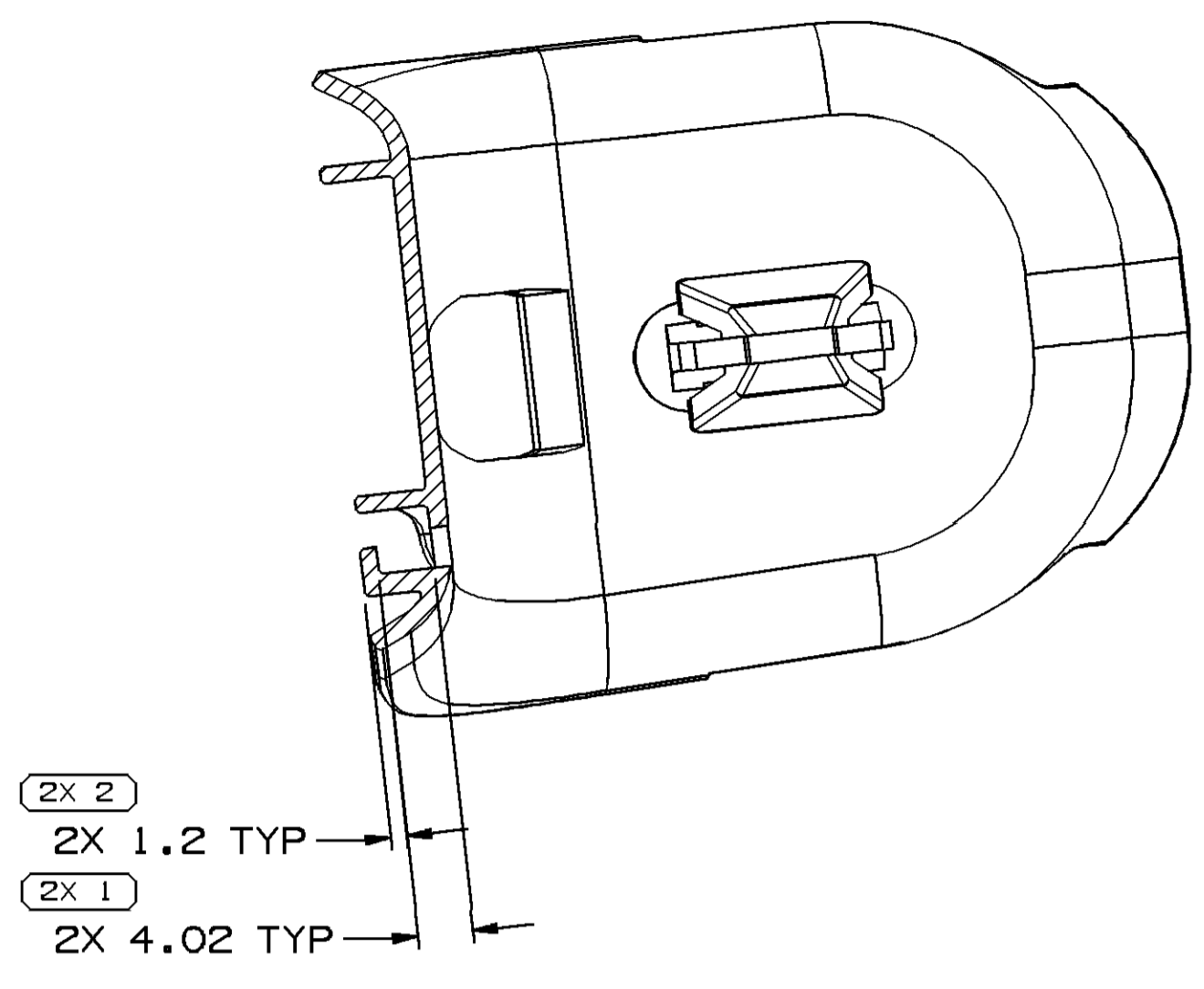
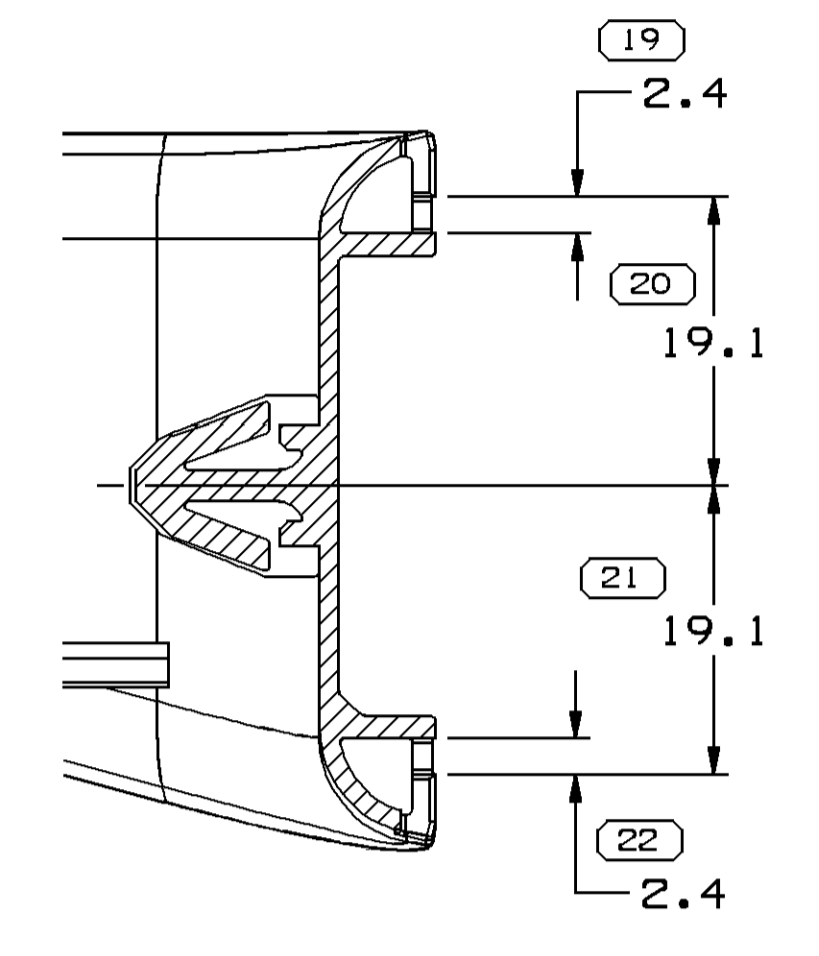


SYMBOL DEFINITION		TOTAL NO OF INSPECTIONS REQUIRED	MISSING SYMBOLS
A DIMENSION WITHOUT AN INSPECTION REPORT SYMBOL DOES NOT REQUIRE INSPECTION. IT MAY BE CONTROLLED ON THE INDIVIDUAL COMPONENT DRAWING.		24	11
	LAST NO. USED	23	

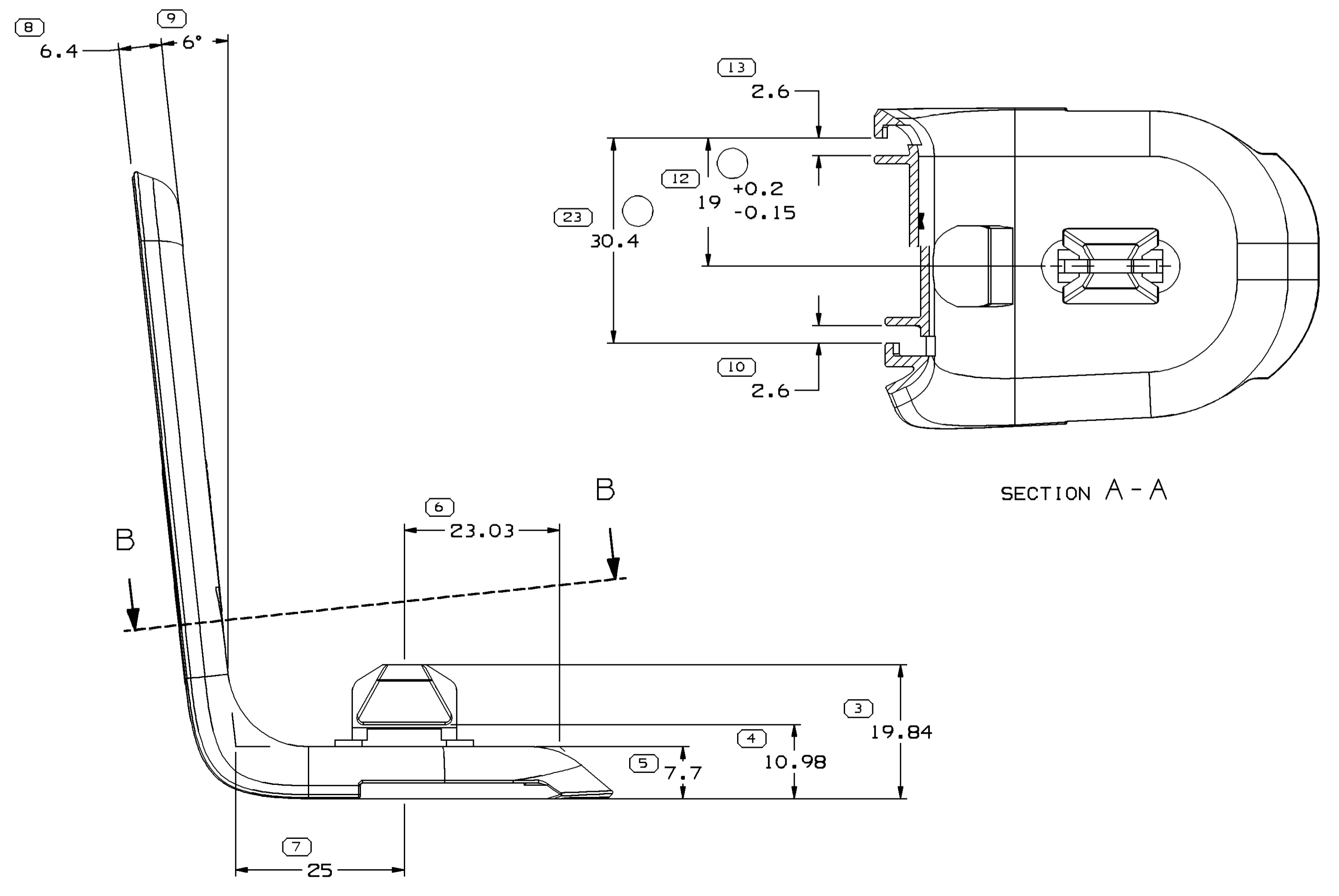
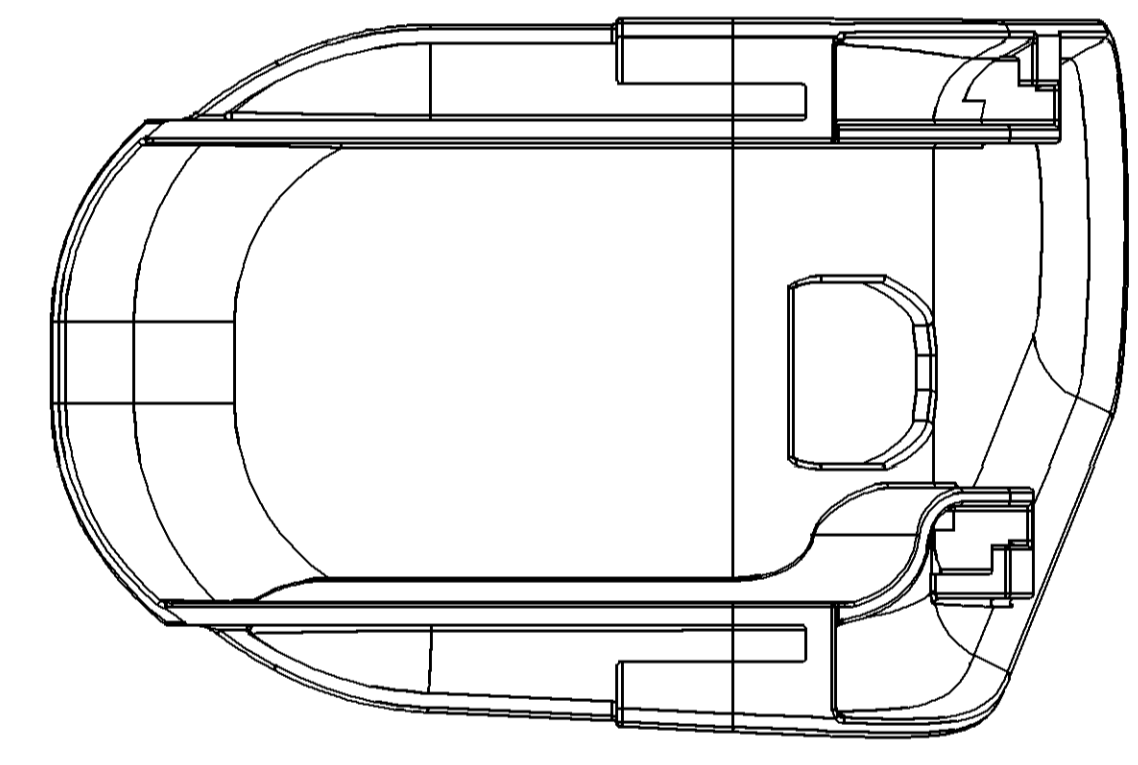
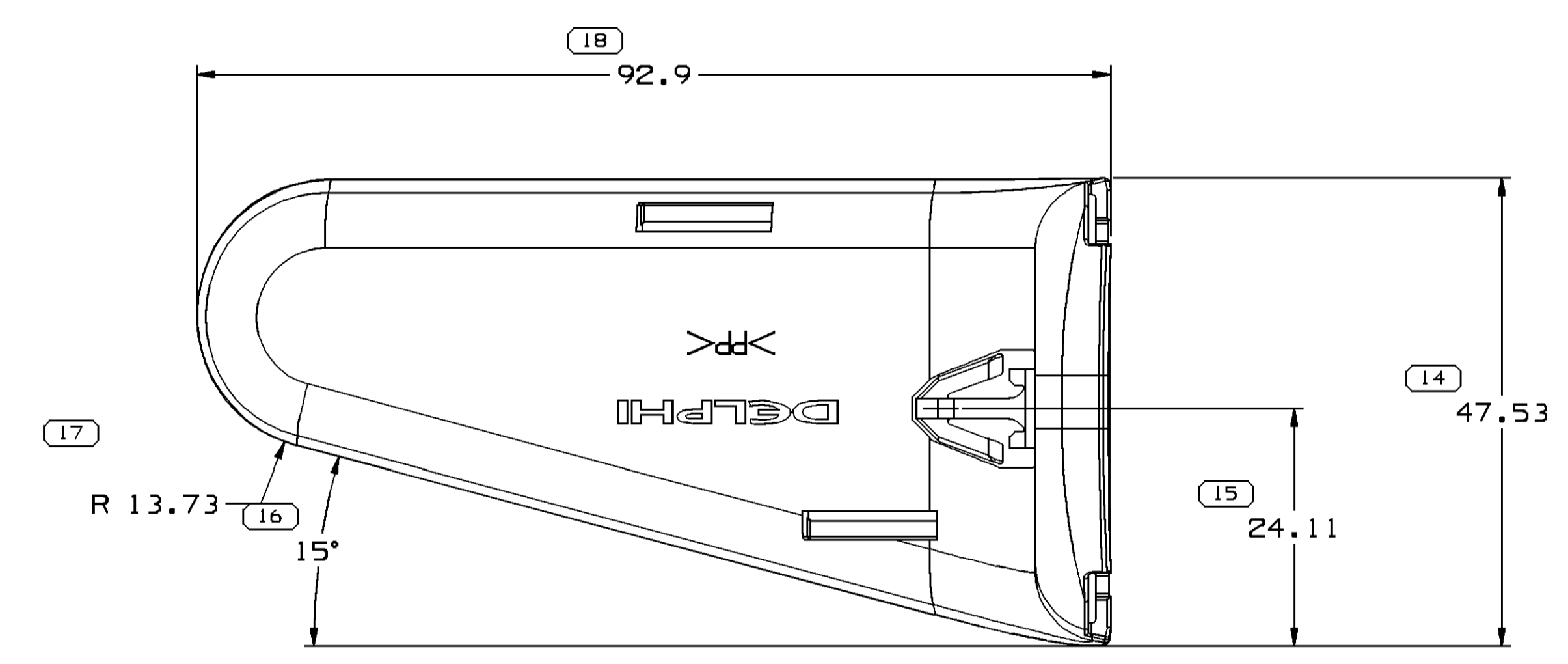
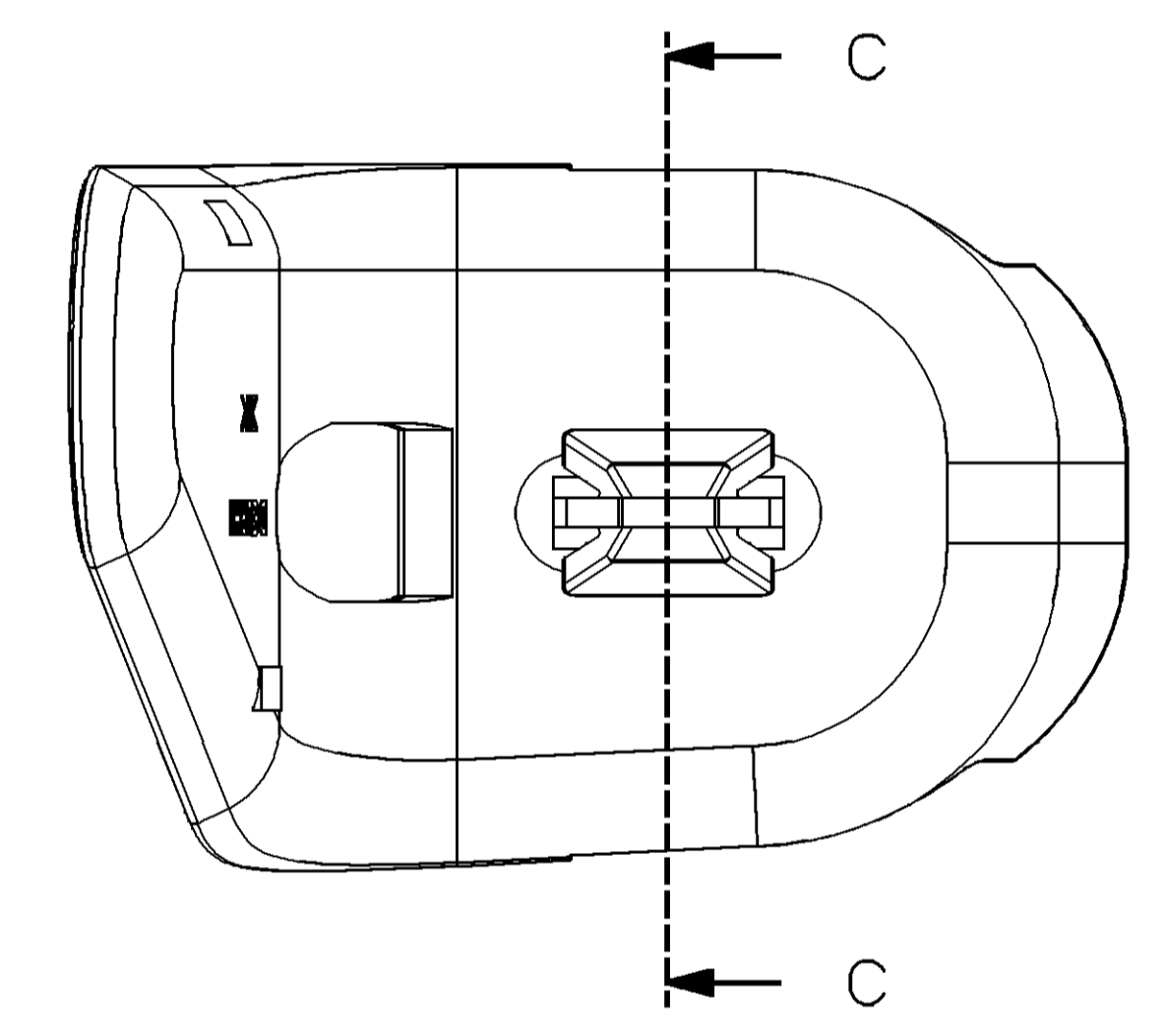
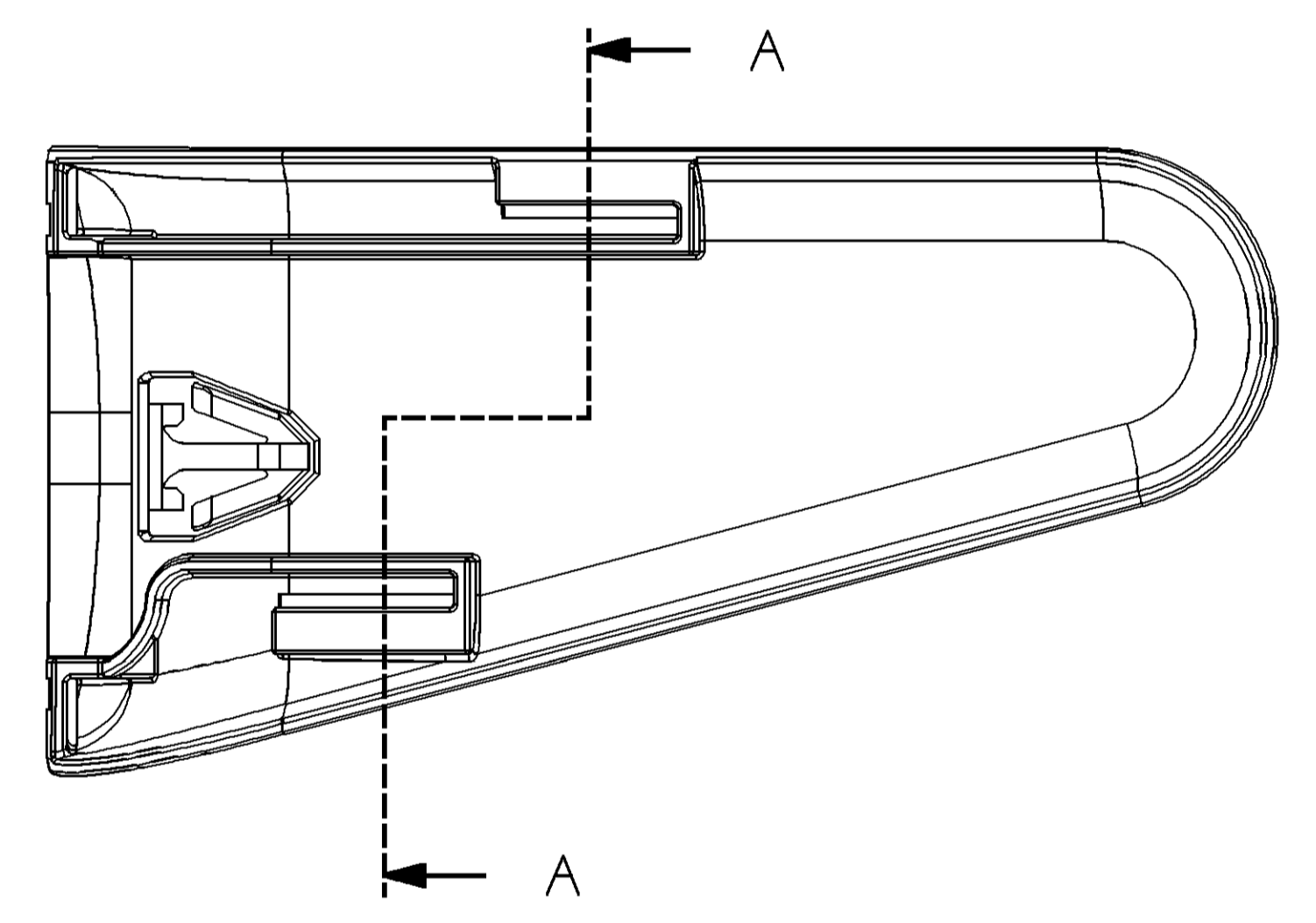
DWS STATUS				REVISION HISTORY		AUTH	DR	AP/VD
DATE	STG	REV	N/P	CHG	ZONE			
04AU05	R	01	-	-		270427	JEB	AP/VD 1 EB
09JA06	R	02	-	-		276214	RH	AP/VD 2 EJB
19FE07	R	02	AA	-		400562	PCP	AP/VD 3 DM



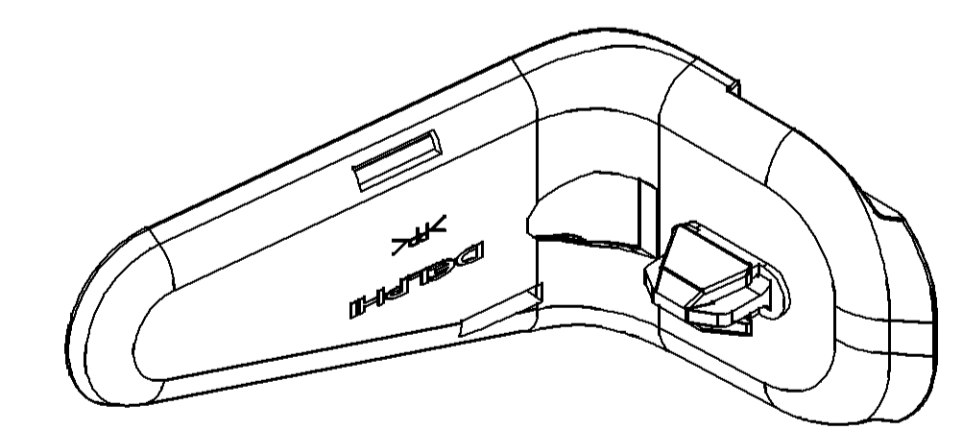
SECTION B-B



SECTION C-C



SECTION A-A



NOTES

- UNLESS OTHERWISE SPECIFIED AND/OR INDICATED:
DIMENSIONS ARE TO FACE OF VIEW SHOWN AND AUTOMATICALLY ROUNDED BY COMPUTER FOR INSPECTION (SEE MATH MODEL FOR PRECISE DIMENSIONS). FOR ALL OTHER DIMENSIONS NOT SHOWN BUT REQUIRED FOR TOOL BUILD, SEE MATH MODEL FOR PRECISE TOOL PATH DATA.
- MATERIAL RECYCLING CODE PER ISO 11469. (2)X(0.1) CHARACTERS AS SHOWN TO BE LOCATED ON ANY EXTERIOR SURFACE.
- (2.3)X(0.1) DELPHI CORPORATE BRAND TO BE LOCATED ON ANY EXTERIOR SURFACE, PREFERABLY VISIBLE AT FINAL ASSEMBLY. OPTIONAL CONSTRUCTION FOR EXISTING TOOLING MAY BE "PED".
- REFERENCE MATING COMPONENTS OR EQUIVALENT:
GROMMET - 13519763

DIMENSIONAL RANGE (MM)		SHORT ET	
FROM	TO		
> 0	> 30	> 100	> 200
> 30	> 70	> 150	> 250
> 70	> 100	> 200	> 300
> 100	> 150	> 250	> 300
> 150	> 200	> 250	> 300
> 200	> 250	> 300	> 400
> 250	> 300	> 400	> 500
> 300	> 400	> 500	> 600
> 400	> 500	> 600	> 700
> 500	> 600	> 700	> 800
> 600	> 700	> 800	> 900
> 700	> 800	> 900	> 1000
> 800	> 900	> 1000	> 1100
> 900	> 1000	> 1100	> 1200
> 1000	> 1100	> 1200	> 1300
> 1100	> 1200	> 1300	> 1400
> 1200	> 1300	> 1400	> 1500
> 1300	> 1400	> 1500	> 1600
> 1400	> 1500	> 1600	> 1700
> 1500	> 1600	> 1700	> 1800
> 1600	> 1700	> 1800	> 1900
> 1700	> 1800	> 1900	> 2000
> 1800	> 1900	> 2000	> 2100
> 1900	> 2000	> 2100	> 2200
> 2000	> 2100	> 2200	> 2300
> 2100	> 2200	> 2300	> 2400
> 2200	> 2300	> 2400	> 2500
> 2300	> 2400	> 2500	> 2600
> 2400	> 2500	> 2600	> 2700
> 2500	> 2600	> 2700	> 2800
> 2600	> 2700	> 2800	> 2900
> 2700	> 2800	> 2900	> 3000
> 2800	> 2900	> 3000	> 3100
> 2900	> 3000	> 3100	> 3200
> 3000	> 3100	> 3200	> 3300
> 3100	> 3200	> 3300	> 3400
> 3200	> 3300	> 3400	> 3500
> 3300	> 3400	> 3500	> 3600
> 3400	> 3500	> 3600	> 3700
> 3500	> 3600	> 3700	> 3800
> 3600	> 3700	> 3800	> 3900
> 3700	> 3800	> 3900	> 4000
> 3800	> 3900	> 4000	> 4100
> 3900	> 4000	> 4100	> 4200
> 4000	> 4100	> 4200	> 4300
> 4100	> 4200	> 4300	> 4400
> 4200	> 4300	> 4400	> 4500
> 4300	> 4400	> 4500	> 4600
> 4400	> 4500	> 4600	> 4700
> 4500	> 4600	> 4700	> 4800
> 4600	> 4700	> 4800	> 4900
> 4700	> 4800	> 4900	> 5000
> 4800	> 4900	> 5000	> 5100
> 4900	> 5000	> 5100	> 5200
> 5000	> 5100	> 5200	> 5300
> 5100	> 5200	> 5300	> 5400
> 5200	> 5300	> 5400	> 5500
> 5300	> 5400	> 5500	> 5600
> 5400	> 5500	> 5600	> 5700
> 5500	> 5600	> 5700	> 5800
> 5600	> 5700	> 5800	> 5900
> 5700	> 5800	> 5900	> 6000
> 5800	> 5900	> 6000	> 6100
> 5900	> 6000	> 6100	> 6200
> 6000	> 6100	> 6200	> 6300
> 6100	> 6200	> 6300	> 6400
> 6200	> 6300	> 6400	> 6500
> 6300	> 6400	> 6500	> 6600
> 6400	> 6500	> 6600	> 6700
> 6500	> 6600	> 6700	> 6800
> 6600	> 6700	> 6800	> 6900
> 6700	> 6800	> 6900	> 7000
> 6800	> 6900	> 7000	> 7100
> 6900	> 7000	> 7100	> 7200
> 7000	> 7100	> 7200	> 7300
> 7100	> 7200	> 7300	> 7400
> 7200	> 7300	> 7400	> 7500
> 7300	> 7400	> 7500	> 7600
> 7400	> 7500	> 7600	> 7700
> 7500	> 7600	> 7700	> 7800
> 7600	> 7700	> 7800	> 7900
> 7700	> 7800	> 7900	> 8000
> 7800	> 7900	> 8000	> 8100
> 7900	> 8000	> 8100	> 8200
> 8000	> 8100	> 8200	> 8300
> 8100	> 8200	> 8300	> 8400
> 8200	> 8300	> 8400	> 8500
> 8300	> 8400	> 8500	> 8600
> 8400	> 8500	> 8600	> 8700
> 8500	> 8600	> 8700	> 8800
> 8600	> 8700	> 8800	> 8900
> 8700	> 8800	> 8900	> 9000
> 8800	> 8900	> 9000	> 9100
> 8900	> 9000	> 9100	> 9200
> 9000	> 9100	> 9200	> 9300
> 9100	> 9200	> 9300	> 9400
> 9200	> 9300	> 9400	> 9500
> 9300	> 9400	> 9500	> 9600
> 9400	> 9500	> 9600	> 9700
> 9500	> 9600	> 9700	> 9800
> 9600	> 9700	> 9800	> 9900
> 9700	> 9800	> 9900	> 10000

DWS TYPE		PART DRAWING	
STYLE		DISTR CODE	D
VOLUME (QTY)	10,068		
UNLESS OTHERWISE SPECIFIED			
THIS DOCUMENT IS IN ACCORDANCE WITH ASME Y14.5M-1994 AS AMENDED BY THE 2003 SUPPLEMENT. DIMENSIONS AND TOLERANCES ARE IN MILLIMETERS UNLESS OTHERWISE SPECIFIED. DIMENSIONS IN PARENTHESES ARE FOR REFERENCE ONLY. DIMENSIONS IN BRACKETS ARE FOR REFERENCE ONLY. DIMENSIONS IN SQUARE BRACKETS ARE FOR REFERENCE ONLY. DIMENSIONS IN CIRCLES ARE FOR REFERENCE ONLY. DIMENSIONS IN TRIANGLES ARE FOR REFERENCE ONLY. DIMENSIONS IN DIAMOND SHAPES ARE FOR REFERENCE ONLY. DIMENSIONS IN OTHER SHAPES ARE FOR REFERENCE ONLY.			
ALL DIMENSIONS ARE IN MILLIMETERS			
THIRD ANGLE PROJECTION			
DO NOT SCALE			
USE MATH DATA			

DELPHI	
DELPHI PACKARD ELECTRICAL/ELECTRONIC ARCHITECTURE	
WARREN, OH	
DR	DATE
AP/VD1 JAMES BANKSTON	04AU05
AP/VD2 JAMES BANKSTON	04AU05
AP/VD3 E. BARDELLA	04AU05
AP/VD4	
AP/VD5	
SUBSTANCES OF CONCERN AND RECYCLED CONTENT PER DELPHI 10949001	
MATERIAL M2097001 PP 1M BLK	
DRAWING NAME	
LOCK RETAINER BLK	
DRAWING NUMBER	
13519764	
SIZE	SCALE
A0	2:1
FRAME NO	SHEET NO
1	1 OF 1
STG	REV
R	02
AA	